

TECHNICAL CHARACTERISTICS

MATERIAL
 INSULATOR: NYLON 9T
 FLAMABILITY RATING: UL94-V0
 COLOR: BEIGE
 CONTACT MATERIAL: COPPER ALLOY
 CONTACT TYPE: STAMPED
 CONTACT PLATING: TIN
 QUALITY CLASS: 25 MATING CYCLES
 PITCH: 2.00 MM

ENVIRONMENTAL
 OPERATING TEMPERATURE: -25 UP TO 85°C
 COMPLIANCE: LEAD FREE AND ROHS

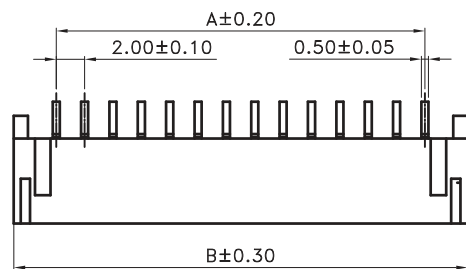
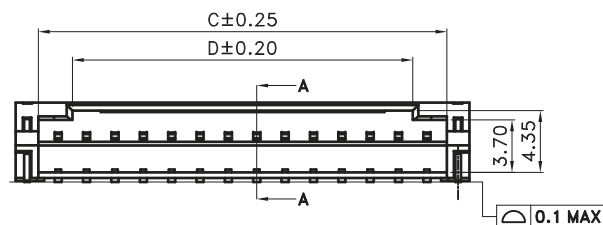
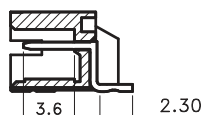
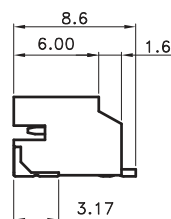
ELECTRICAL
 CURRENT RATING: 2 A
 WORKING VOLTAGE: 100 VAC
 INSULATOR RESISTANCE: >1000 MOHM
 DIELECTRIC WITHSTANDING VOLTAGE: 800 VAC/MN
 CONTACT RESISTANCE: 20 mOHM MAX

STANDARD
 AEC-Q200 IS CERTIFIED: E323964

SOLDERING
 JEDEC LEAD FREE REFLOW SOLDERING

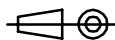
PACKAGING
 TAPE AND REEL

Poles	Dimensions(mm)			
	A	B	C	D
2	2.00	8.00	4.80	1.00
3	4.00	10.00	6.80	2.00
4	6.00	12.00	8.80	4.00
5	8.00	14.00	10.80	6.00
6	10.00	16.00	12.80	8.00
7	12.00	18.00	14.80	10.00
8	14.00	20.00	16.80	12.00
9	16.00	22.00	18.80	14.00
10	18.00	24.00	20.80	16.00
11	20.00	26.00	22.80	18.00
12	22.00	28.00	24.80	20.00
13	24.00	30.00	26.80	22.00



RoHS Compliant

PROJECTION:



GENERAL TOLERANCE

.X = +/- 0.2
 .XX = +/- 0.15



APPROVAL: BBu

UNIT: MM

SCALE:

SHEET: 1/4

DRAW: AS

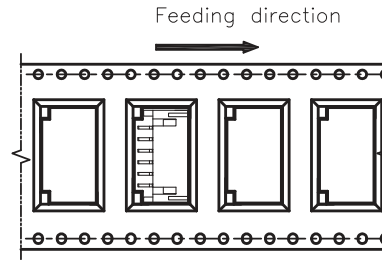
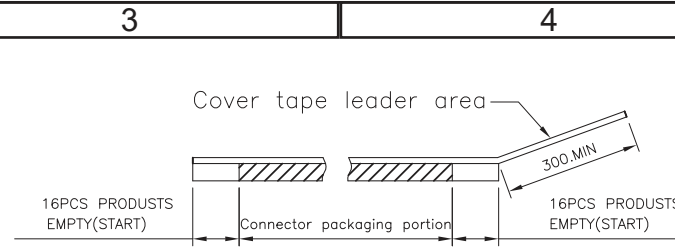
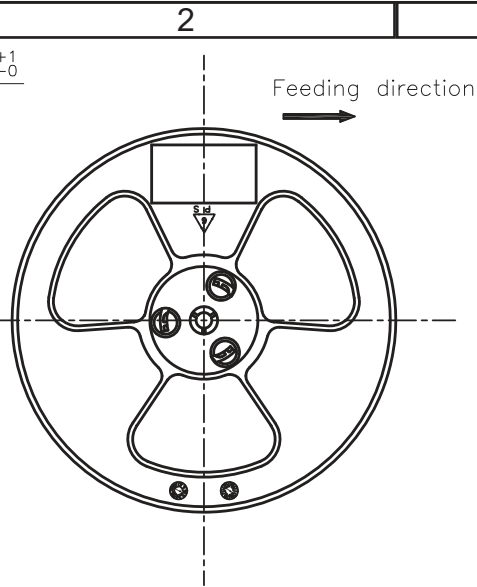
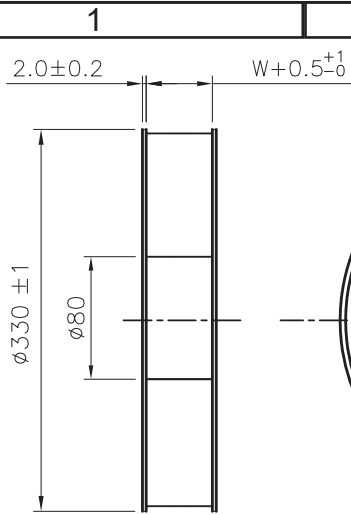
DESCRIPTION: 2.00 MM SMT MALE HORIZONTAL SHROUDED HEADER

WERI PART NO: 620 1xx 131 822

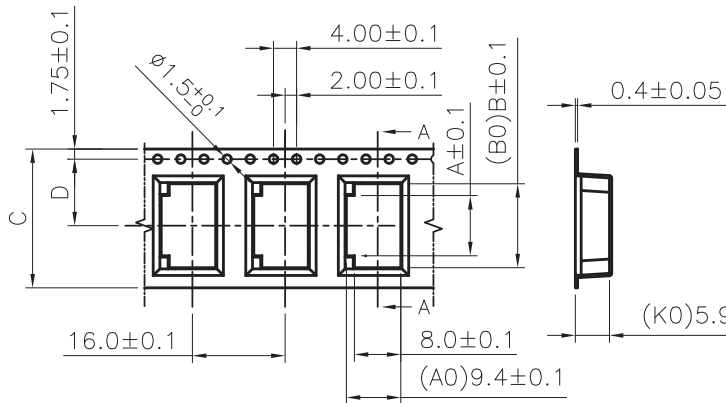
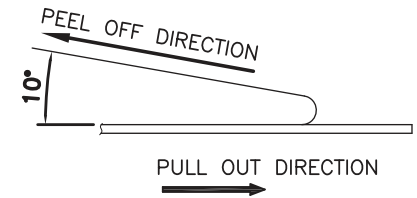
SIZE

A4

REV	DATE	FILE	BY
K	01-FEV-18	CORRECTION PCN	AK
J	22-DEC-17	PCN	AK
I	09-DEC-16	TPK	AK
H	29-JUL-14	GENERAL UPDATE	AS

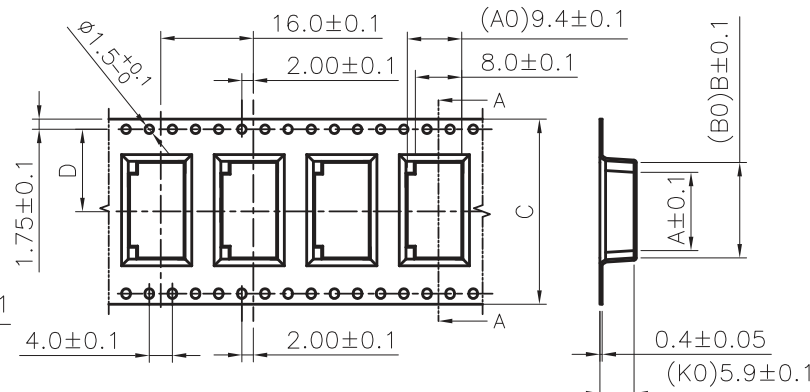


- Q' ty : 650 Pcs / Reel
- Length: ≥12.01m/Reel



Poles at 2~5

SECTION A-A

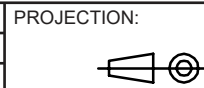


Poles at 6~16

SECTION A-A

Poles	Dimension(mm)			
	A	B	C	D
2	4.4	8.5	24.0	11.5
3	6.4	10.5	24.0	11.5
4	8.4	12.5	24.0	11.5
5	10.4	14.5	24.0	11.5
6	12.4	16.5	32.0	14.2
7	14.4	18.5	32.0	14.2
8	16.4	20.5	44.0	20.2
9	18.4	22.5	44.0	20.2
10	20.4	24.5	44.0	20.2
11	22.4	26.5	44.0	20.2
12	24.4	28.5	44.0	20.2
13	26.4	30.5	44.0	20.2
14	28.4	32.5	44.0	20.2
15	30.4	34.5	56.0	26.2
16	32.4	36.5	56.0	26.2

RoHS Compliant			
G			
F			
E			
D			
C			
B			
A			
REV	DATE	FILE	BY



APPROVAL: BBu

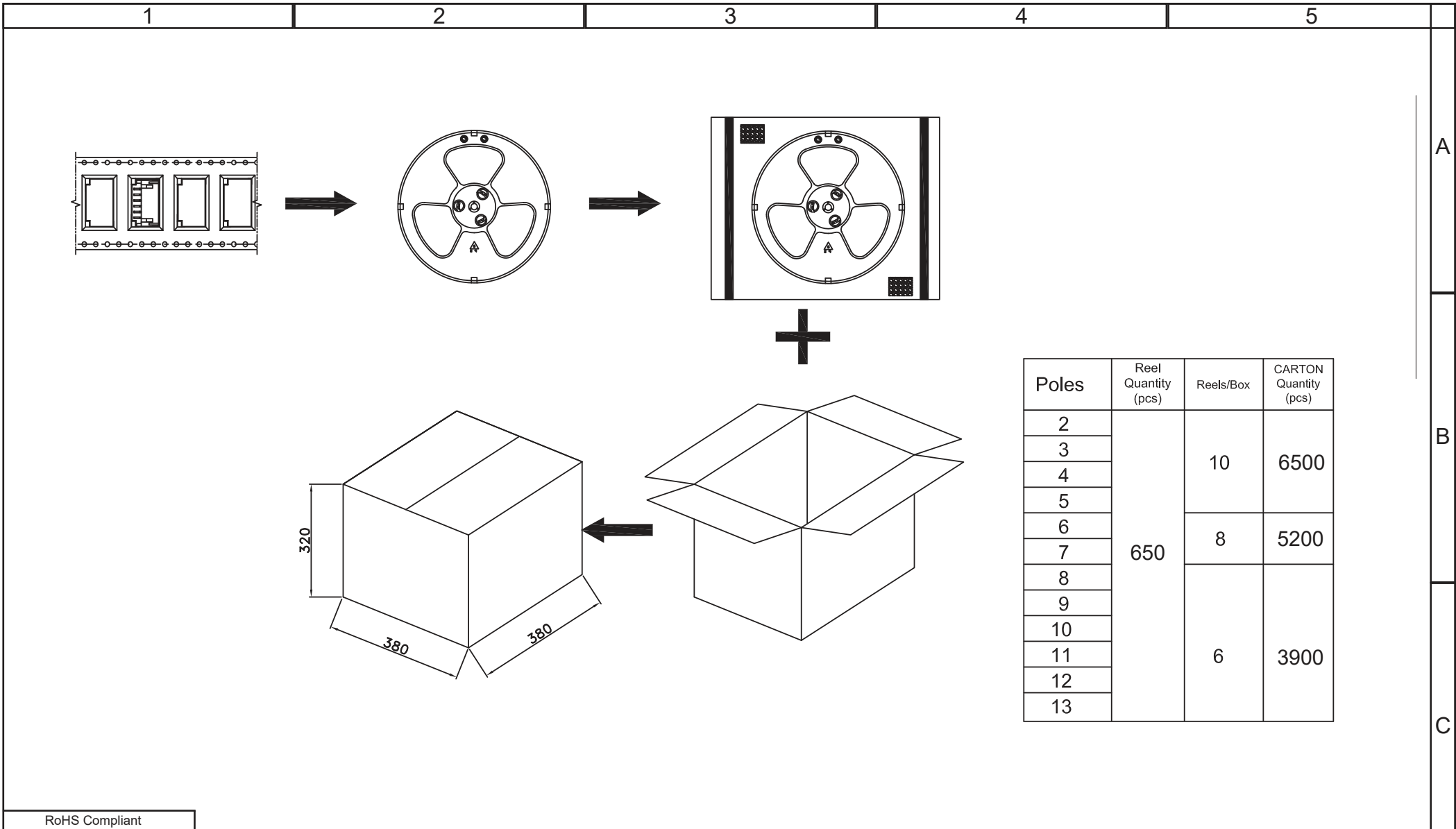
GENERAL TOLERANCE
 .X = +/- 0.2
 .XX = +/- 0.15



UNIT: MM
 SCALE:
 SHEET: 2/4
 DRAW: AS


DESCRIPTION: 2.00 MM SMT MALE HORIZONTAL SHROUDED HEADER
 WERI PART NO: 620 1xx 131 822

SIZE
A4



Poles	Reel Quantity (pcs)	Reels/Box	CARTON Quantity (pcs)
2	650	10	6500
3			
4			
5			
6		8	5200
7			
8		6	3900
9			
10			
11			
12			
13			

RoHS Compliant			
G			
F			
E			
D			
C			
B			
A			
REV	DATE	FILE	BY

PROJECTION:

 APPROVAL: BBu

GENERAL TOLERANCE
 .X = +/- 0.2
 .XX = +/- 0.15
 UNIT: MM
 SCALE:
 SHEET: 3/4
 DRAW: AS



DESCRIPTION: 2.00 MM SMT MALE HORIZONTAL SHROUDED HEADER
 WERI PART NO: 620 1xx 131 822

SIZE
A4

1

2

3

4

5

Cautions and Warnings:

This electronic component is designed and developed with the intention for use in general electronics equipments.

Before incorporating the components into any equipments in the field such as aerospace, aviation, nuclear control, submarine, transportation, (automotive control, train control, ship control), transportation signal, disaster prevention, medical, public information network etc. where higher safety and reliability are especially required or if there is possibility of direct damage or injury to human body, Würth Elektronik must be asked for a written approval.

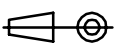

In addition, even electronic component in general electronic equipments, when used in electrical circuits that require high safety, reliability functions or performance, the sufficient reliability evaluation-check for the safety must be performed before by the user before usage.

A

B

C

RoHS Compliant

G				PROJECTION: 	GENERAL TOLERANCE .X = +/- 0.2 .XX = +/- 0.15		
F							
E							
D							
C				APPROVAL: JC	UNIT: MM	DESCRIPTION: DISCLAIMER	SIZE A4
B					SCALE:		
A	10-SEP-14	PDF	QL		SHEET: 4/4	WERI PART NO: DISCLAIMER	
REV	DATE	FILE	BY		DRAW: QL		

D