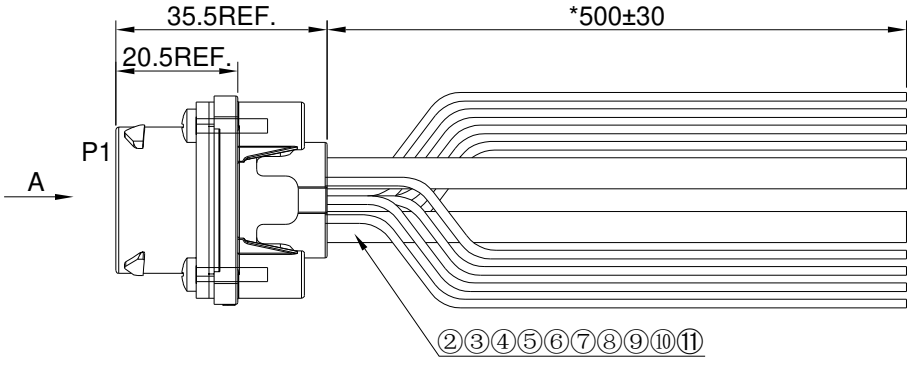
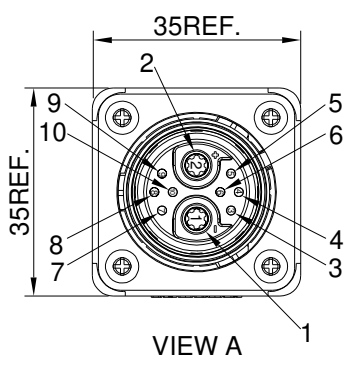
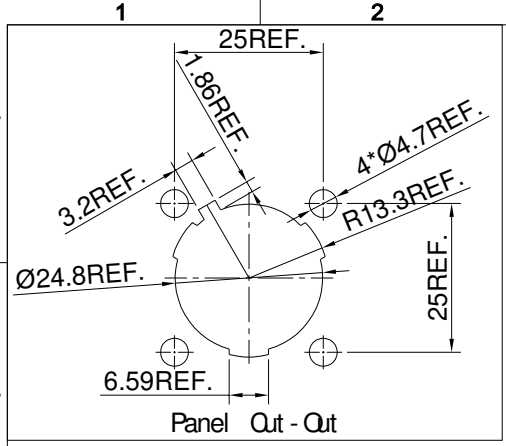


THIS INFORMATION IS CONFIDENTIAL AND IS DISCLOSED TO YOU ON CONDITION THAT NO FURTHER DISCLOSURE IS MADE BY YOU TO OTHER THAN CHOGORI PERSONNEL WITHOUT AUTHORIZATION FROM CHOGORI CORP.

5	6	7	8
REV.	ECN NO.	DATE	SIGN
C1	NA	2022/07/01	XU
DESCRIPTION			
First Version			



Contact List

10	Black_24AWG
9	Brown_24AWG
8	Red_24AWG
7	Orange_24AWG
6	White_24AWG
5	Yellow_24AWG
4	Blue_24AWG
3	Green_24AWG
2	Red_9AWG
1	Black_9AWG
P1	Wire size
Pin Out	

SPECIFICATIONS:

- 1.INSULATION RESISTANCE: 10MΩ@500VDC/0.01S.
- 2.VOLTAGE RATING: 80VDC.
- 3.CURRENT RATING: 40A(9AWG)+3A(24AWG).
- 4.OPERATION TEMPERATURE: -10°C~+80°C.
- 5.WATERPROOF IPX7(MATED).
- 6.RoHS COMPLIANT.

11	900-00101-00074	A/R	M	UL1007 24AWG BROWN
10	900-00101-00071	A/R	M	UL1007 24AWG YELLOW
9	900-00101-00070	A/R	M	UL1007 24AWG ORANGE
8	900-00101-00043	A/R	M	UL1007 24AWG GREEN
7	900-00101-00042	A/R	M	UL1007 24AWG BLACK
6	900-00101-00041	A/R	M	UL1007 24AWG RED
5	900-00101-00040	A/R	M	UL1007 24AWG WHITE
4	900-00101-00019	A/R	M	UL1007 24AWG BLUE
3	900-00106-00061	A/R	M	UL3132 9AWG SIR BLACK
2	900-00106-00060	A/R	M	UL3132 9AWG SIR RED
1	38208636-01	1	PC	MATE SERIES 2+8PIN PANEL MOUNT 2F8M (LOCK TYPE)
No.	Material No.	Q'ty	Unit	Material Description

Material List

ITEM NO.	11C03622062808	DRAWN BY	XU	DATE	2022/07/01
DWG NO.	11C03622062808	CHECKED BY	Kevin	DATE	2022.08.05 14:54:25 +08'00'
CUSTOMER NO.		REV.		APPROVED BY	Eric
				DATE	2022.08.05 15:21:45 +08'00'

UNIT:mm	
未注线性和角度尺寸公差 UNSPECIFIED TOLERANCE	
GB/T 1804-M	

TITLE			
MATE SERIES 2+8PIN PANEL MOUNT 2F8M (LOCK TYPE) L=500MM			
SCALE	N/A	SHEET	1 of 1
REV.	C1	SIZE	A4
* Inspection Item			

CHOGORI[®]
Chogori Technology Co., Ltd

A B C D E F

1 2 3 4 5 6 7 8