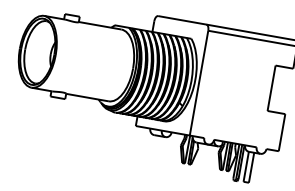


NOTES:

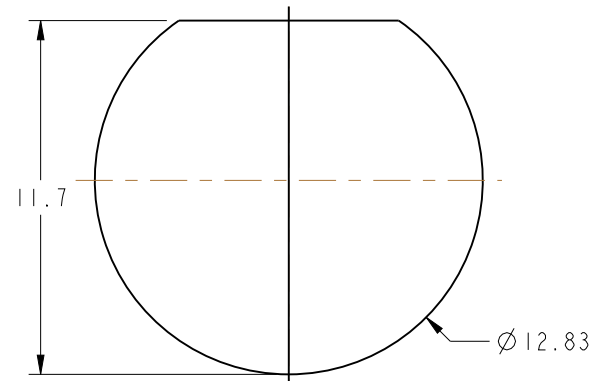
1. MATERIALS AND FINISHES:  
 BODY - ZINC DIE CAST, NICKEL PLATING  
 CONTACT - PHOSPHOR BRONZE, GOLD PLATING (.000003 THICK)  
 @ CONTACT AREA ONLY, TIN PLATING AT TAIL, NICKEL PLATED OVERALL  
 INSULATOR - POLYPROPYLENE  
 HOUSING - PBT 15% G.F., BLACK  
 FORK PIN - BRASS, TIN PLATING  
 GROUNDING TERMINAL - STEEL, TIN PLATING
2. ELECTRICAL:  
 A. IMPEDANCE: 50 OHM  
 B. FREQUENCY RANGE: DC - 1 GHz  
 C. DIELECTRIC WITHSTANDING VOLTAGE: 1500 VRMS, MIN.
3. MECHANICAL:  
 A. DURABILITY: 500 CYCLES MIN.  
 B. TEMPERATURE RANGE: -55° C TO 85° C
4. PACKAGING:  
 A. PACKAGED IN PACKING TRAYS  
 B. QUANTITY PER TRAY: 40
5. SEPERATELY SUPPLIED MOUNTING HARDWARE  
 TO BE TIGHTENED DOWN TO 10 IN-LBS MIN/15 IN-LBS MAX  
 WHEN ASSEMBLING TO PANEL

THIRD ANGLE PROJ.

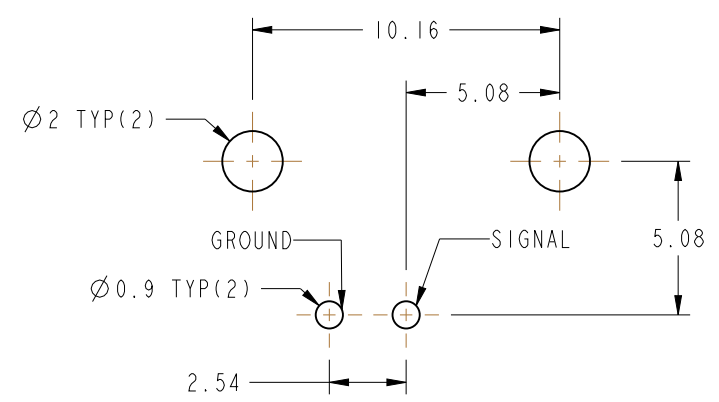
REVISIONS				
REV	DESCRIPTION	DATE	ECO	APPR
A	RELEASE TO MFG.	01/20/93	39301	JM/RV
B	SEE SHEET I	4/30/96	40246	JM/DR
C	SEE SHEET I	10/11/96	41588	CPM/
D	SEE SHEET I	2/3/05	45255	CPM/
E	UPDATED FORMAT AND NOMINAL ENVELOPE DIMENSIONS	11/29/12	49278	EW



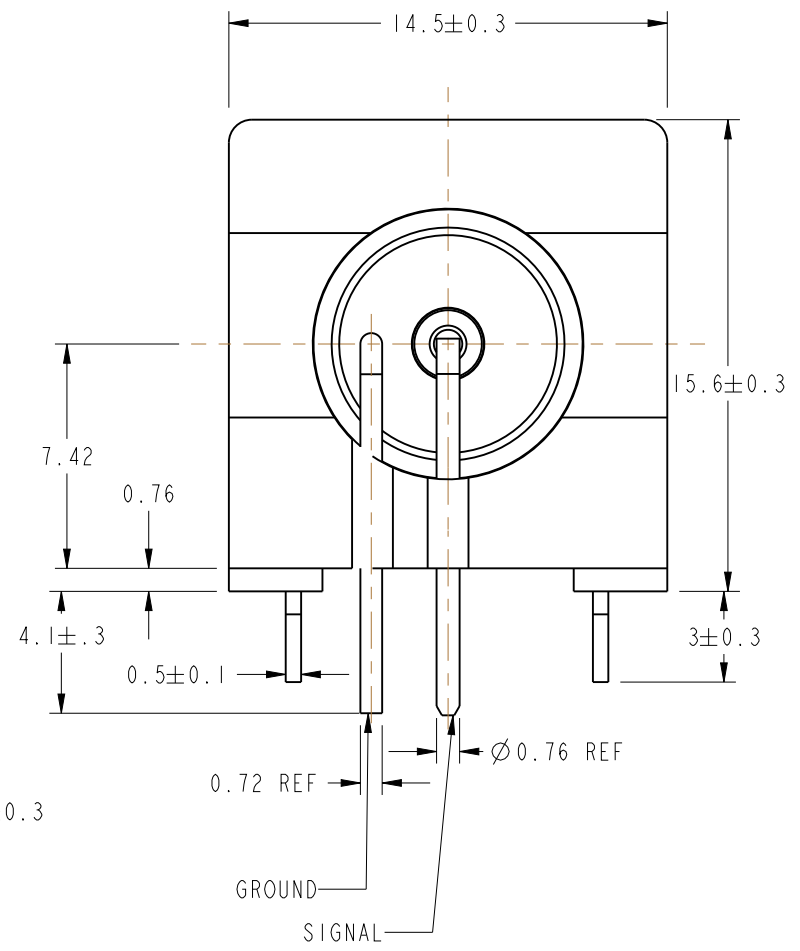
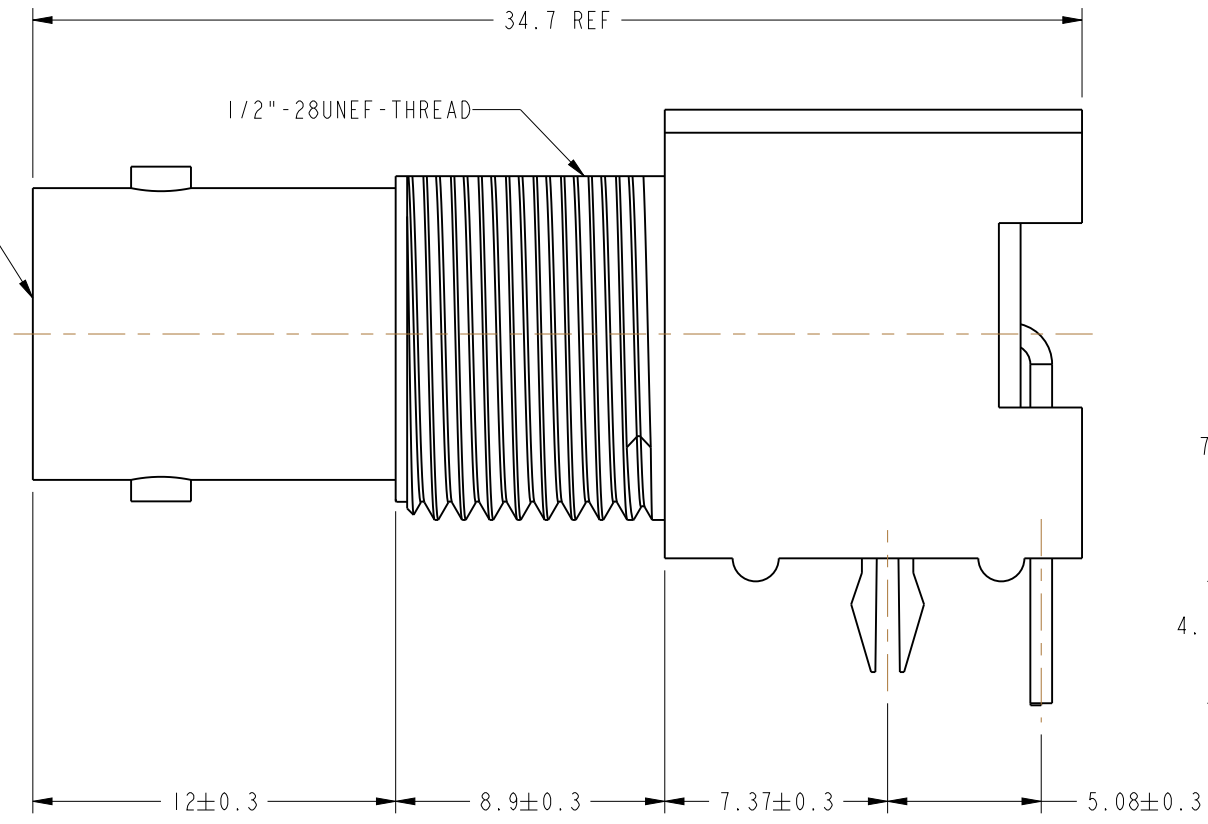
SCALE 1.000



PANEL CUTOUT



RECOMMENDED PCB LAYOUT



**CUSTOMER OUTLINE DRAWING**  
 ALL OTHER SHEETS ARE FOR INTERNAL USE ONLY

UNLESS OTHERWISE SPECIFIED, DIMENSIONS ARE IN METRIC AND TOLERANCES ARE: <0.5mm ± 0.05mm    0.5 - 6mm ± 0.1mm    6 - 30mm ± 0.2mm    30 - 120mm ± 0.3mm    ANGLES ±1°  NOTICE - These drawings, specifications, or other data (1) are, and remain the property of Amphenol corp. (2) must be returned upon request; and (3) are confidential and not to be disclosed to any person other than those to whom they are given by Amphenol Corp. the furnishing of these drawings, specifications, or other data by Amphenol Corp., or to any other person to anyone for any purpose is not to be regarded by implication or otherwise in any manner licensing, granting rights to permitting such holder or any other sperson to manufacture, use or sell any product, process or design, patented or otherwise, that may in any way be related to or disclosed by said drawings, specifications, or other data.	MATERIAL SEE NOTES	DRAWN ERIC WANKOFF	DATE 22-Jun-12	TITLE 50 OHM BNC R/A JACK, ISOLATED	Amphenol RF www.amphenolrf.com	
	REFERENCE	ENGINEER R VACCARO	DATE 1/20/93		DRAWING NO. 31-5538-1010	
	CONFIGURATION LEVEL:	APPROVED J MULVEY	DATE 8/24/92	SCALE: 4.0:1.0	SHEET 2 OF 2	ITEM NO. 31-5538-1010
	FINISH		CAD FILE	DWG SIZE B	REV E	PART NO. 31-5538-1010