

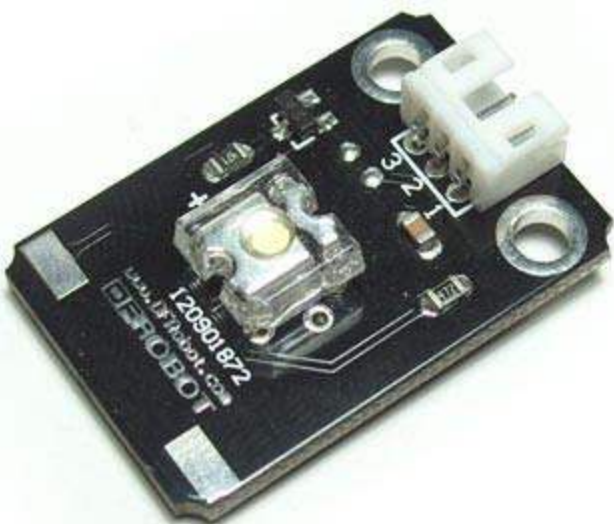


Digital piranha LED light module (SKU: DFR0031)

Contents

- [1 Introduction](#)
- [2 Specifications](#)
- [3 Pin Definition](#)
- [4 Connection Diagram](#)
- [5 Sample Code](#)

Introduction



Digital piranha LED light module (SKU: DFR0031)

Piranha LED light module, and special sensors Arduino board and ambient light sensor extension combination, can be used in the interaction with the light works.

When the LED light module connected to Arduino, the digital pin (LOW on, HIGH off) is used to control it. The brightness of LED can be controller via PWM output.

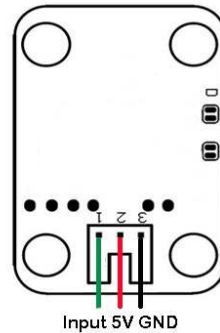
Specifications

- Voltage: +3.3-5V
- Weight: 5g

Pin Definition

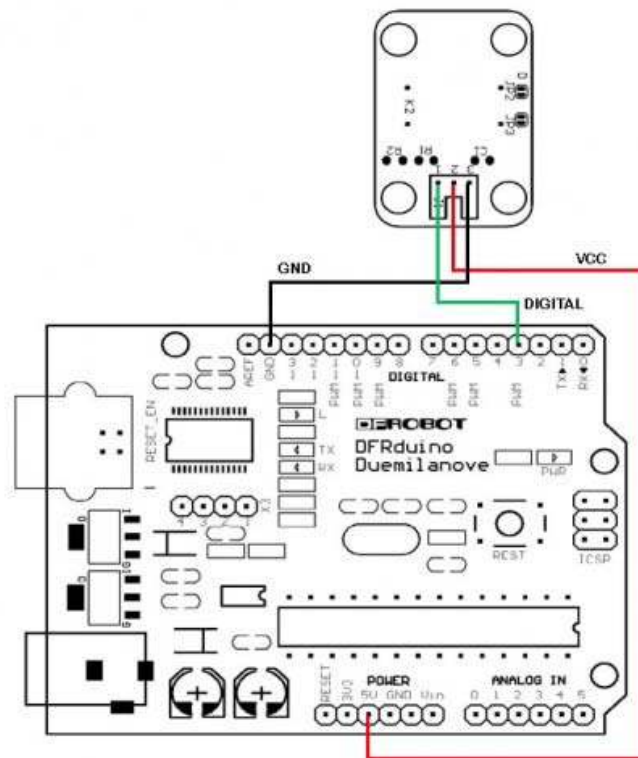
LED module pin definition :

1. Input
2. Power
3. GND



digital input module

Connection Diagram



Digital module connection diagram

Sample Code

```
///  
//Arduino Sample Code for DFR0021  
//www.DFRobot.com  
//Last modified on 16th September 2010  
  
int led = 3;  
  
void setup()  
{  
  pinMode(led, OUTPUT);    //Set Pin3 as output  
}  
void loop()  
{  
  digitalWrite(led, HIGH); //Turn off led  
  delay(2000);  
  digitalWrite(led, LOW);  //Turn on led  
  delay(2000);  
  
}
```