

CNC1 Pin Assignment Connector : JST XHD12	
pin #	description
12	no connection
11	OSD Select UP
10	OSD Select Down
9	OSD Plus/Right
8	OSD Minus/Left
7	OSD Menu
6	Ground
5	Backlight Brightness
4	VR pin B
3	Backlight Brightness
2	VR pin A
1	Power Switch B
1	Power Switch A

CNC2 Pin assignment Connector : Hirose DF13-9F	
pin #	description
9	Ground
8	Adjust Down/Decrease/Left
7	Adjust Up/Increase/Right
6	Select Down
5	Select Up
4	Ground
3	No connection
2	No connection
1	Power On/Off

Jumper setting :

JP1: SWAP DEC/INC SWITCH

1-2,3-4 closed : NORMAL

1-3,2-4 closed : SWAPPED

JP2 : SWAP SEL UP/DN SWITCH

1-2,3-4 closed : NORMAL

1-3,2-4 closed : SWAPPED

JP3 : SWAP BRIGHTNESS INC/DEC SWITCH

1-2,3-4 closed : NORMAL

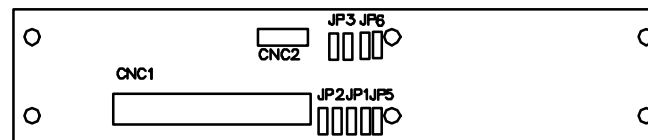
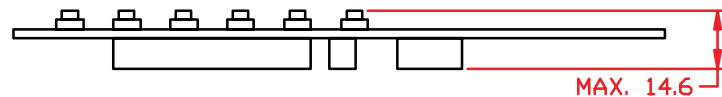
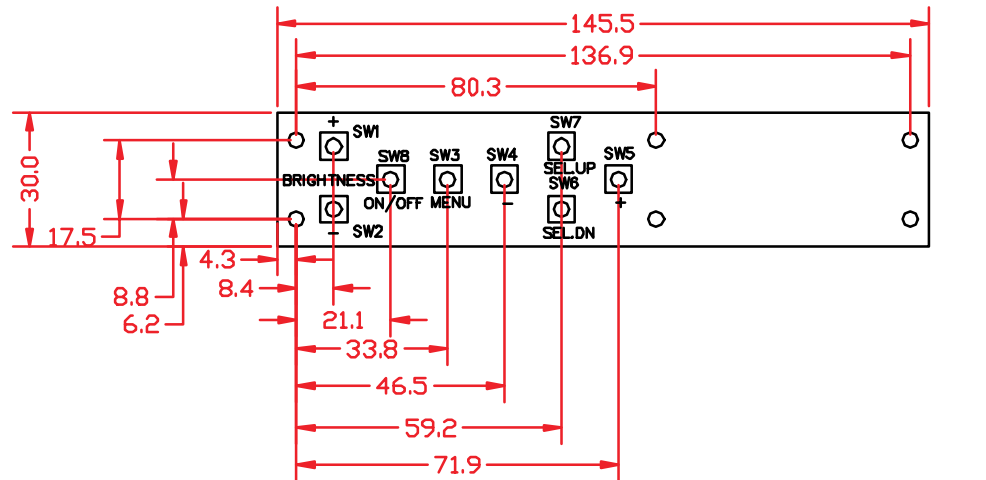
1-3,2-4 closed : SWAPPED

JP5 : 1-2 closed : Disable On/Off power button control

Open : Enable On/Off power button control(Default)

JP6 : 1-2 closed : Default power on (JP5 set open)

3-4 closed: Defalt power off (JP5 set open)



↑ To OSD
Switch Mount
CNC1



OSD Cable:

P/N:420680260 (12/12WAY), 150mm

Other options:

P/N:426120400 (12/12WAY), 300mm

P/N:426120410 (12/12WAY), 610mm

↓ To LCD
Interface
Controller



Title:
Digital Switch Mount (10K)

NOTE:
All dimensions are in mm

Date:
31. 8. 2004

Kit 60109 OSD GUIDE