

REV. B		SHEET 1 OF 2		DOCUMENT NO. RVPX-P08VXX	
REVISIONS M					
LTR	DESCRIPTION			DATE	
A	INITIAL RELEASE			11-FEB-16	
B	CORRECTED GOLD THICKNESS IN TABLE 1 CORRECTED DRILL SIZE Ø IN NOTE 2			31-MAY-17	

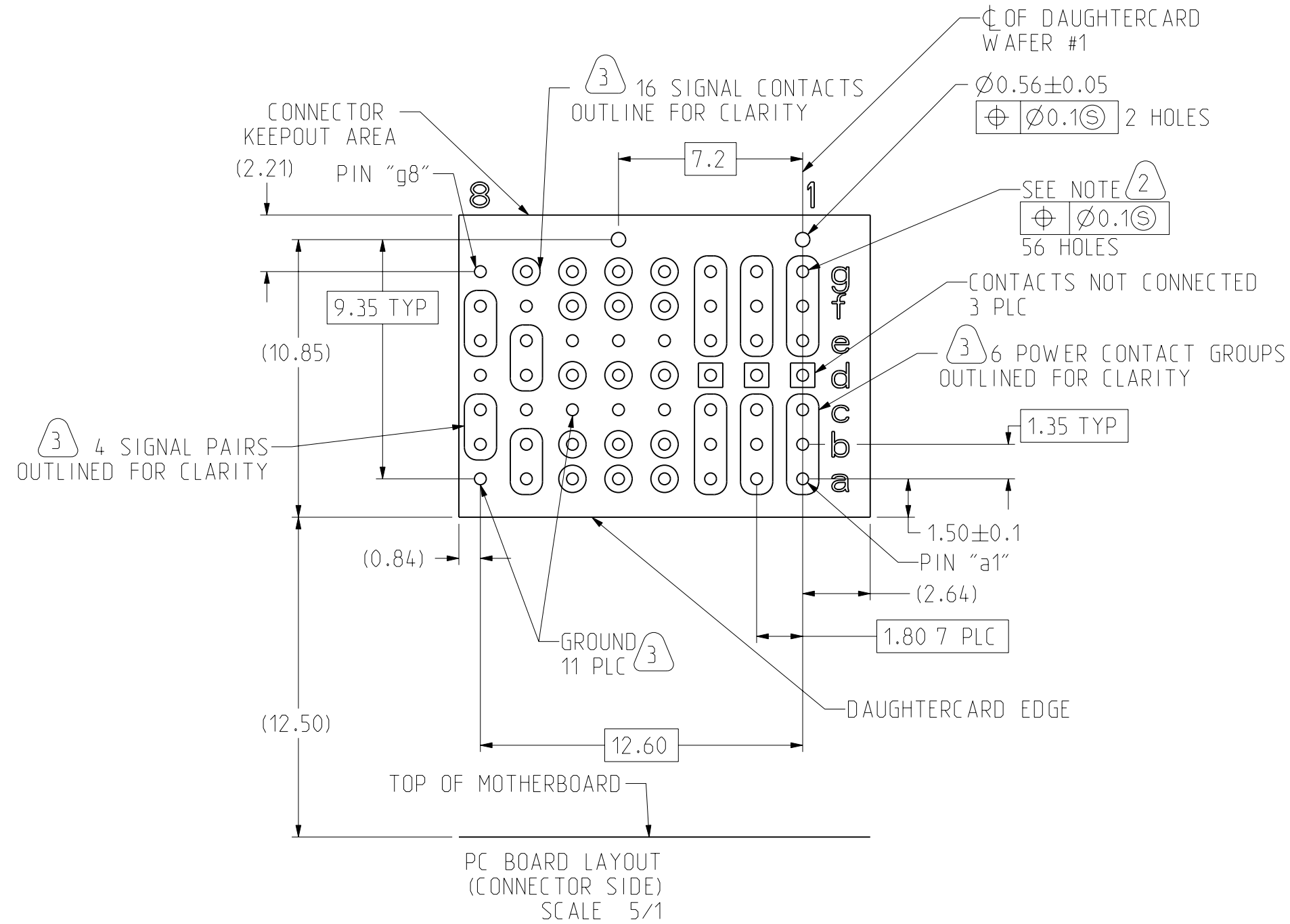
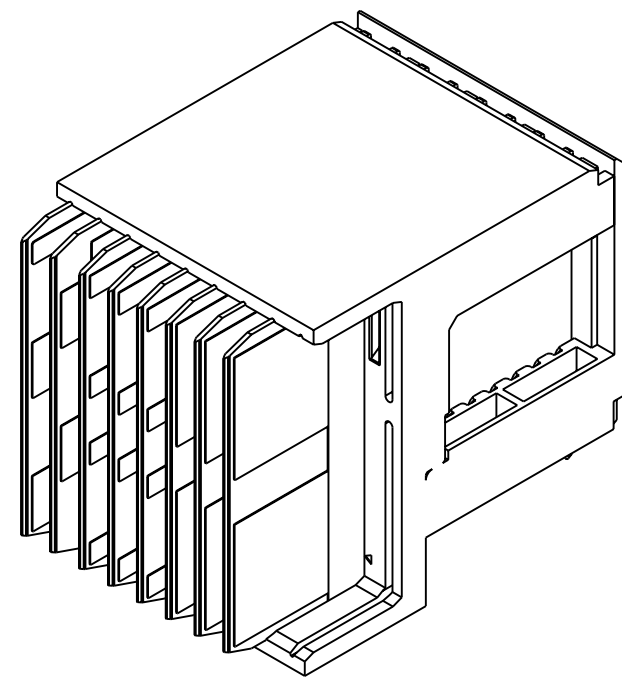


TABLE 1
INTERCONNECTIONS WITH BACKPLANE CONNECTOR RVPX-J08EXX

CONTACT USAGE	DAUGHTERCARD CONNECTOR PIN	BACKPLANE CONNECTOR PIN
SIGNAL PAIR	bx	cx
SIGNAL PAIR	cx	dx
SIGNAL PAIR	ex	gx
SIGNAL PAIR	fx	hx
GROUND	ax, dx, gx, (ALL COMMONED)	ax, bx, ex, fx, ix

CONTACT USAGE	DAUGHTERCARD CONNECTOR PIN	BACKPLANE CONNECTOR PIN
SIGNAL PAIR	ax	ax
SIGNAL PAIR	bx	bx
SIGNAL PAIR	dx	ex
SIGNAL PAIR	ex	fx
SIGNAL	gx	ix
GROUND	cx, fx, (ALL COMMONED)	cx, dx, gx, hx

CONTACT USAGE	DAUGHTERCARD CONNECTOR PIN	BACKPLANE CONNECTOR PIN
SIGNAL	ax	bx
SIGNAL	bx	cx
SIGNAL	dx	ex
SIGNAL	fx	gx
SIGNAL	gx	hx
GROUND	cx, ex, (ALL COMMONED)	ax, dx, fx, ix

CONTACT USAGE	DAUGHTERCARD CONNECTOR PIN	BACKPLANE CONNECTOR PIN
POWER	ax, bx, cx	ax, bx, cx, dx
POWER	ex, fx, gx	fx, gx, hx, ix
NOT CONNECTED	dx	ex

TABLE 2
PLATING THICKNESS AND MATERIAL BY PART NUMBER

PART NUMBER	GOLD IN CONTACT AREA	COMPLIANT	NICKEL OVERALL
RVPX-P08VM1	50 µ-INCH MIN	50 µ-INCH MIN TIN	50 µ-INCH MIN
RVPX-P08VM2	50 µ-INCH MIN	50 µ-INCH MIN TIN-LEAD	50 µ-INCH MIN
RVPX-P08VC1	30 µ-INCH MIN	50 µ-INCH MIN TIN	50 µ-INCH MIN
RVPX-P08VC2	30 µ-INCH MIN	50 µ-INCH MIN TIN-LEAD	50 µ-INCH MIN

- 4 SEE TABLE 2 FOR PART NUMBER AND FINISHES
- 3 SEE TABLE 1 FOR INTERCONNECTIONS TO BACKPLANE CONNECTOR
- 2 PTH CALLOUT TYPICAL HOLE
Ø0.53-.57 DRILL
Ø0.46 ±.05 FINISH HOLE
Ø0.92 PAD

NOTES: 1 HOUSING: GLASS FILLED LCP, UL94 - V0
CONTACT: Cu ALLOY
POST: STAINLESS STEEL, PASSIVATED

THE USE OF THIS DOCUMENT IS UNLIMITED. HOWEVER, DOCUMENTS REFERENCED HEREON MAY CONTAIN LIMITED RIGHTS DATA.

UNLESS OTHERWISE SPECIFIED	SPECIFICATIONS	POS	QTY	PART NUMBER	DESCRIPTION	NOTE
LINEAR DIMENSIONS ARE IN MILLIMETERS TOLERANCES: .XXXX = ±. - ANGLES = ±1° .XXX = ±. - .XX = ±.13 .X = ±.5	MATERIAL SPEC. N/A	APPROVALS		DATE	PARTS LIST	
DIM. & TOL. PER ASME Y14.5M; DRM PER MIL-DTL-31000; OTHER Amphenol Stds. PER 9-3800	PROCESS SPEC. 9-3895 9-3856-5	PREPARED BY S. LANGELIER		22-SEP-15	AMPHENOL CORPORATION 40-60 DELAWARE AVENUE SIDNEY, N.Y. 13858	
LEGENDS: = FLAG NOTE CALL OUT REFERENCE ONLY		ENGINEER IN CHARGE S. LANGELIER			RIGHT-ANGLE PLUG ASSEMBLY HALF LEFT END, RVPX DAUGHTERCARD CONNECTOR, VITA 46	
		DESIGN MANAGER J. PAUL			DOCUMENT NO. RVPX-P08VXX	
		DESIGN ACTIVITY GROUP BOARD LEVEL			SIZE C	CAGE CODE 77820
		THIRD ANGLE PROJECTION			SCALE: 5.0	REF. NONE
						SHEET 1 OF 2

RVPX-P08VXX

SHEET 2 OF 2

REV. B

C

B

A

D

C

VISION

REVISION

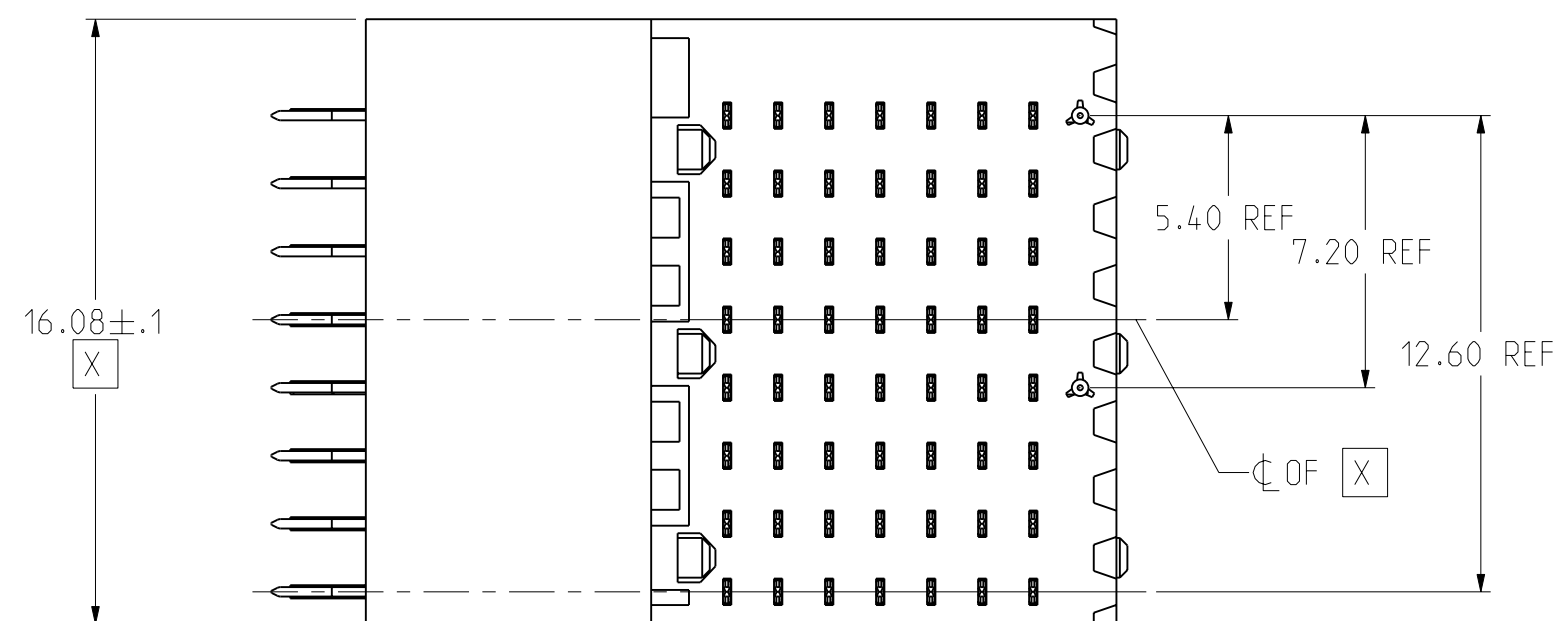
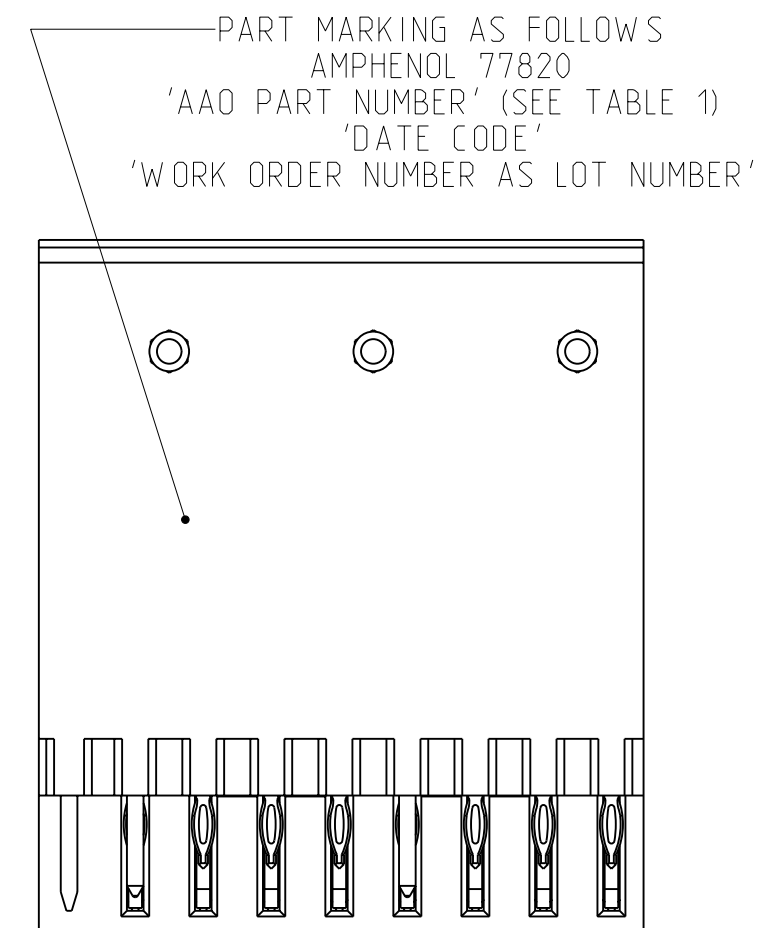
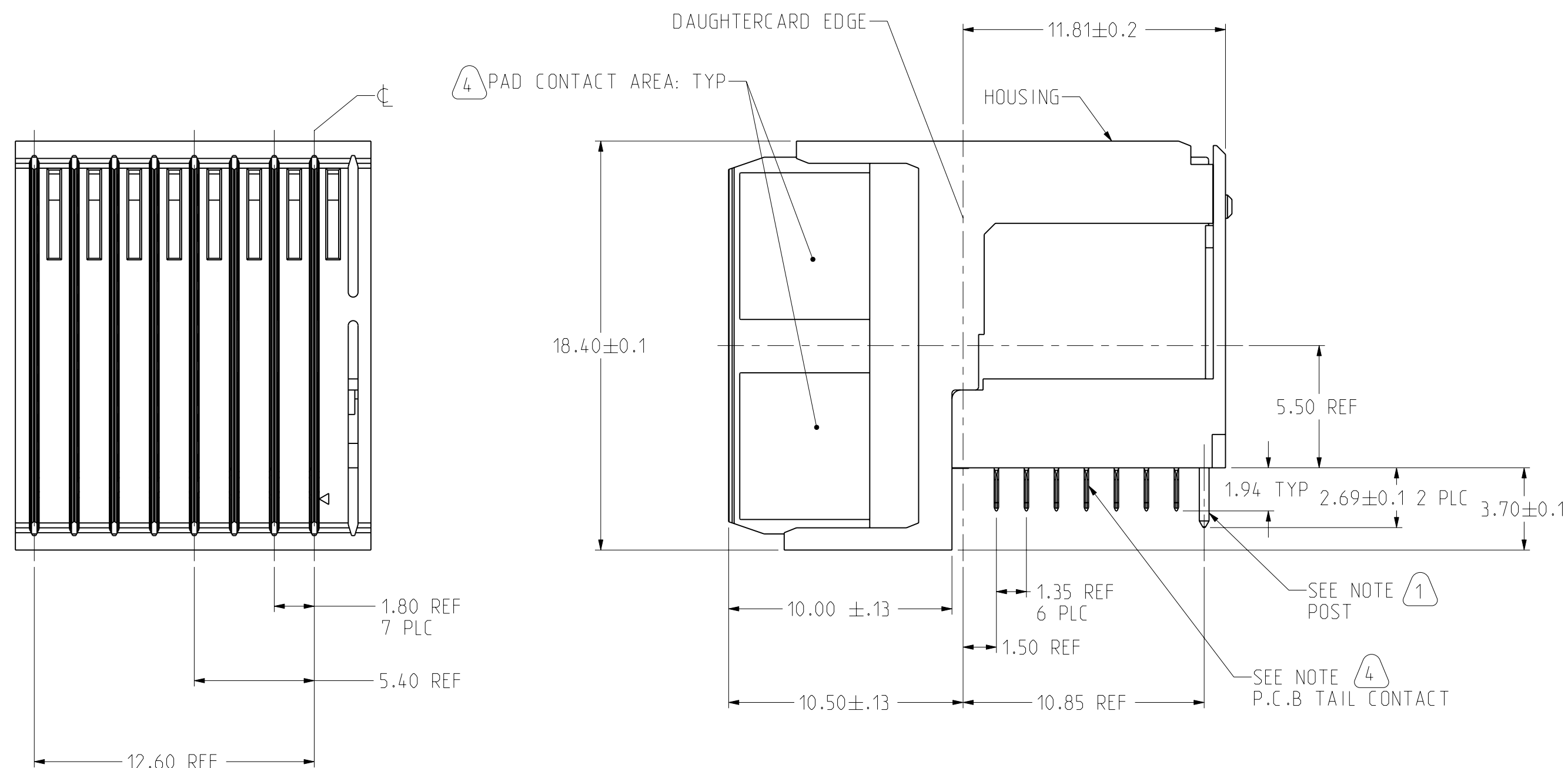
Eng. PDM Information For Reference Only

REV.

SHEET 2 OF 2

RVPX-P08VXX

REV. B



NOTES: SEE SHEET 1

THE USE OF THIS DOCUMENT IS UNLIMITED. HOWEVER, DOCUMENTS REFERENCED HEREON MAY CONTAIN LIMITED RIGHTS DATA.

SIZE C	CAGE CODE 77820	DOCUMENT NO. RVPX-P08VXX	REV. B
SCALE: 5.0		REF: NONE	SHEET 2 OF 2

RVPX-P08VXX

SHEET 2 OF 2

REV. B