

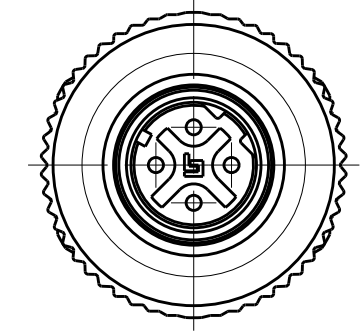
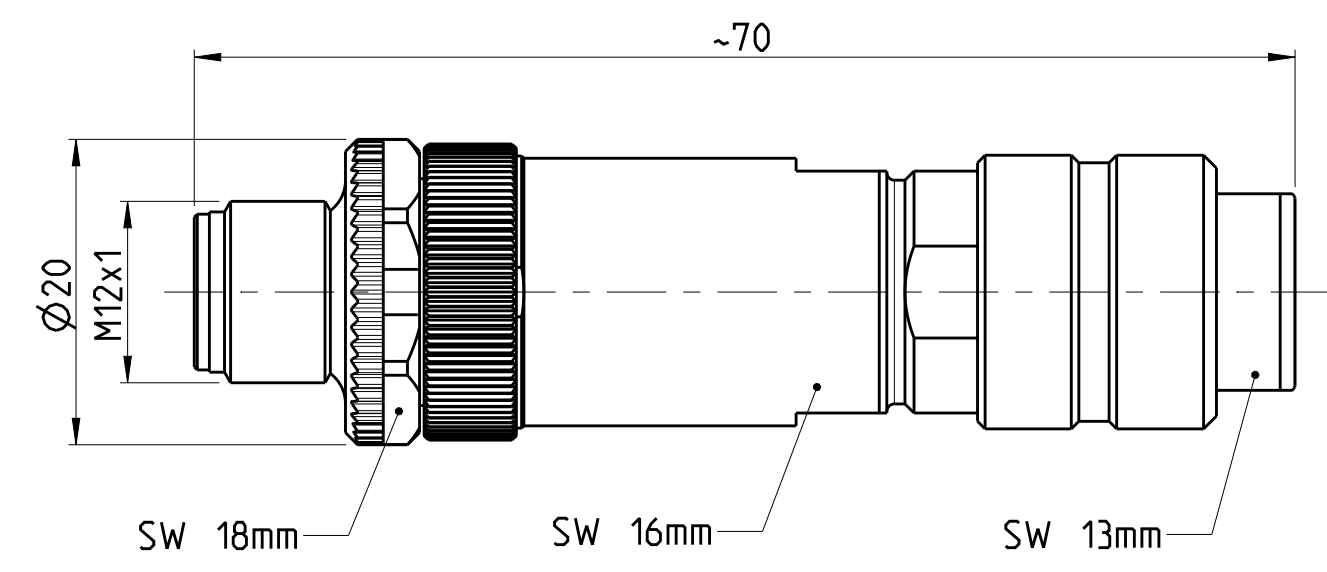
THIS DRAWING IS UNPUBLISHED. RELEASED FOR PUBLICATION 2014. MATED WITH: 2014.
 VERTRÄULICHE UNVERÖFFENTLICHTE ZEICHNUNG. FREI FÜR VERÖFFENTLICHUNG. PASSEND ZU:
 © COPYRIGHT 2014 Tyco Electronics AMP GmbH. ALL RIGHTS RESERVED. ALLE RECHTE VORBEHALTEN.

PROJEKT NR.: PRJ-14-00000805

P	LTR	REVISIONS ÄNDERUNGEN DESCRIPTION BESCHREIBUNG	DATE	DWN	APVD
	A2	DESCRIPTION CORRECTED FROM SOLDER TO SCREW TERMINAL IN TITLE BLOCK	13NOV2014	CR	JK

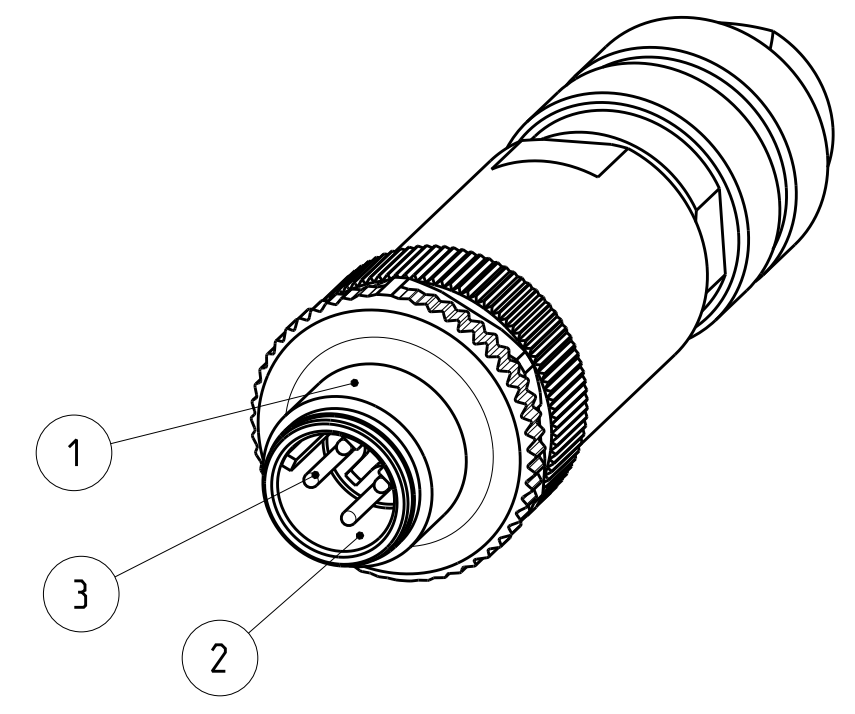
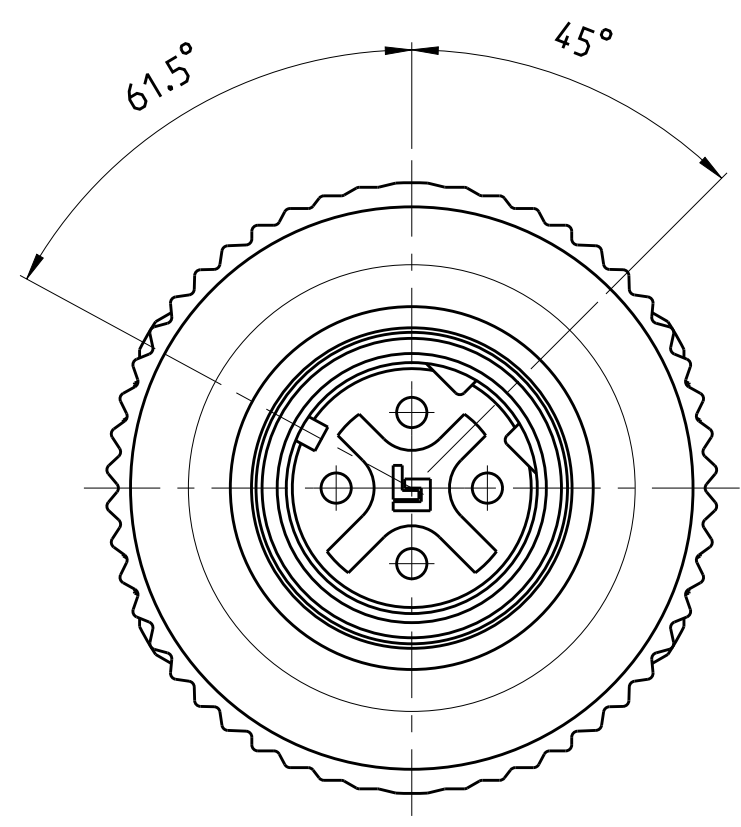
- 1 MATERIAL: ITEM NO. 1: HOUSING - ZINC DIECASTING, NICKEL PLATED
 ITEM NO. 2: CONTACT BODY - PA
 ITEM NO. 3: CONTACT - CuZn (brass)
 CONTACT FINISH - Au (gold)
- 2 ALL DIMENSIONS ARE FOR NOMINAL REFERENCE ONLY UNLESS OTHERWISE STATED
- 3 MEASUREMENT REFERENCE ONLY
- 4 PACKAGING: 1 PIECE IN A BAG

TECHNICAL DATA	3-2271115-2
RATED VOLTAGE	250V
RATED IMPULSE VOLTAGE	2500V
POLLUTION DEGREE	3
OVERVOLTAGE CATEGORY	II
MATERIAL GROUP	III
RATED CURRENT	4A
VOLUME RESISTIVITY	≤ 3mΩ
DEGREE OF PROTECTION	IP67
UPPER TEMPERATURE	+85°C
LOWER TEMPERATURE	-40°C



PIN ARRANGEMENT
D-CODING (SCALE 4:1)

3-2271115-2



5-8	18 / 0.75mm ²	△	4	3-2271115-2
CABLE FEED-THROUGH mm	WIRES AWG / mm ²	MATERIAL	NUMBER OF POLES	TE-PART-NO.

DIESE ZEICHNUNG IST EIN KONTROLLIERTES DOKUMENT. DIMENSIONEN UND TOLERANZEN GEMAESS GPS (ISO STANDARDS).

THIS DRAWING IS A CONTROLLED DOCUMENT. DIMENSIONING AND TOLERANCING PER GPS (ISO STANDARDS).

DIMENSIONS: MASSE/WEITEN: IT/IT1	TOLERANCES UNLESS OTHERWISE SPECIFIED: ALLGEMEINTOLERANZEN	DWN YASHKUMAR 16MAY2014	TE Connectivity
		CHK M.STRELOW 16MAY2014	
		APVD C.SCHREITLINGER 16MAY2014	
		NAME	
		PRODUCT SPEC 108-19483	M12 MALE, STRAIGHT FIELD INSTALLABLE, SHIELDED CONNECTOR, SCREW TERMINALS, D-CODING
		APPLICATION SPEC 114-32127	SIZE A2
MATERIAL		WEIGHT	CAGE CODE 00779
		Customer Drawing	DRAWING NO. ZEICHNUNGS-NR. C-2271115
			RESTRICTED TO NUR FÜR -
			SCALE MASSSTAB 2:1
			SHEET BLATT 1 OF 1
			REV A2

SIZE ISO 14405 (E)