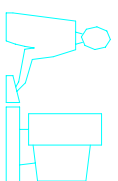
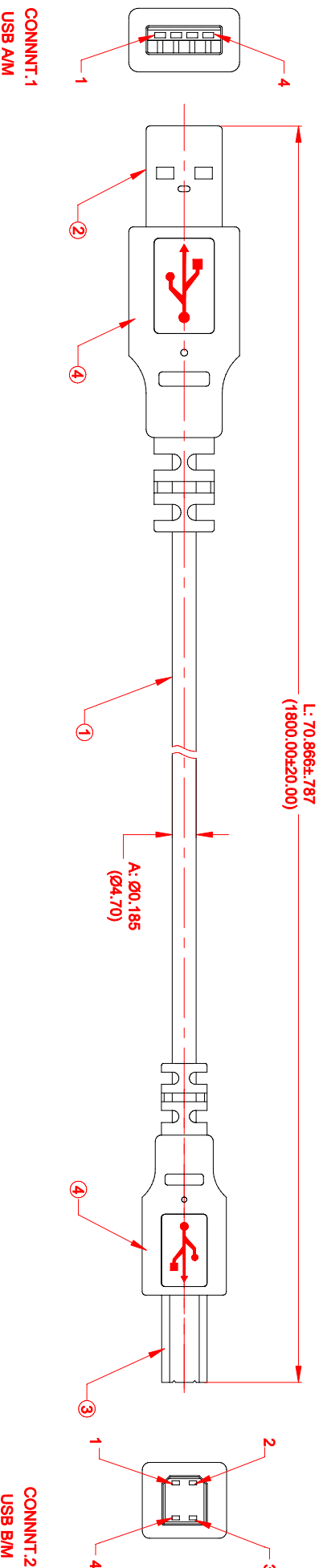


THIS IS A C.A.D. GENERATED DRAWING
DO NOT MAKE MANUAL REVISIONS TO MASTER.



ISSUE NUMBER
ORIGINAL

1



- ELECTRICAL PROPERTIES:**
1. 100% OPEN SHORT MIS-WIRE TEST
 2. CONTACT RESISTANCE: 2 ohm max.
 3. INSULATION RESISTANCE: 5 Mega ohm MIN.
 4. HI-POT: 300 VOLT DC/10ms

PIN ASSIGNMENT

- | | | |
|----------|-------|----------|
| CONNNT.1 | COLOR | CONNNT.2 |
| 1 | RED | 1 |
| 2 | WHITE | 2 |
| 3 | GREEN | 3 |
| 4 | BLACK | 4 |
- SHELL-----D.W & BRAID-----SHELL

NO	DESCRIPTION	QTY	UNITS
4	PVC 50P COLOR: BLACK	15	g
3	CONNNT. 2: USB "B"/M PLASTIC WHITE PLATED 3u" SOLDER TYPE	1	SET
2	CONNNT. 1: USB "A"/M PLASTIC WHITE PLATED 3u" SOLDER TYPE	1	SET
1	CABLE: UL 2725 28AWG/1P+24AWG/2C+AEB 65% JACKET COLOR: BLACK OD: Ø4.7±0.1mm V1.1	1	PCS

**USB "A"/M TO USB "B"/M
CABLE ASSY**

ACAD REF. DWG.: 628-000-943

DRAWN: F. JAWDI DATE: JUNE 27/02

CHECKED: DATE:

SCALE: N.T.S SHT. 1 OF 1

DRAWING NUMBER 628-000-943 ISSUE

3



THIS SERIES FULLY CONFORMS TO THE
EUROPEAN UNION DIRECTIVES 2002/95/EC
AND 2002/96/EC FOR ROHS COMPLIANCY.

EDAC INC
TORONTO, ONTARIO
CANADA

YOUR CONNECTION TO QUALITY & SERVICE

THESE DRAWINGS AND SPECIFICATIONS
ARE THE PROPERTY OF EDAC INC. AND
SHALL NOT BE REPRODUCED, OR COPIED
OR USED AS THE BASIS FOR THE
MANUFACTURE OR SALE OF APPARATUS
WITHOUT WRITTEN PERMISSION.