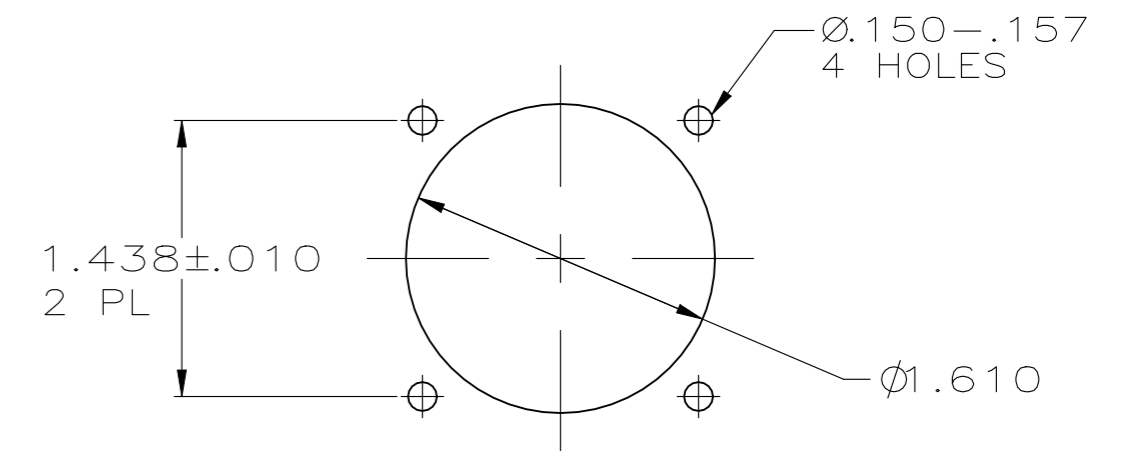
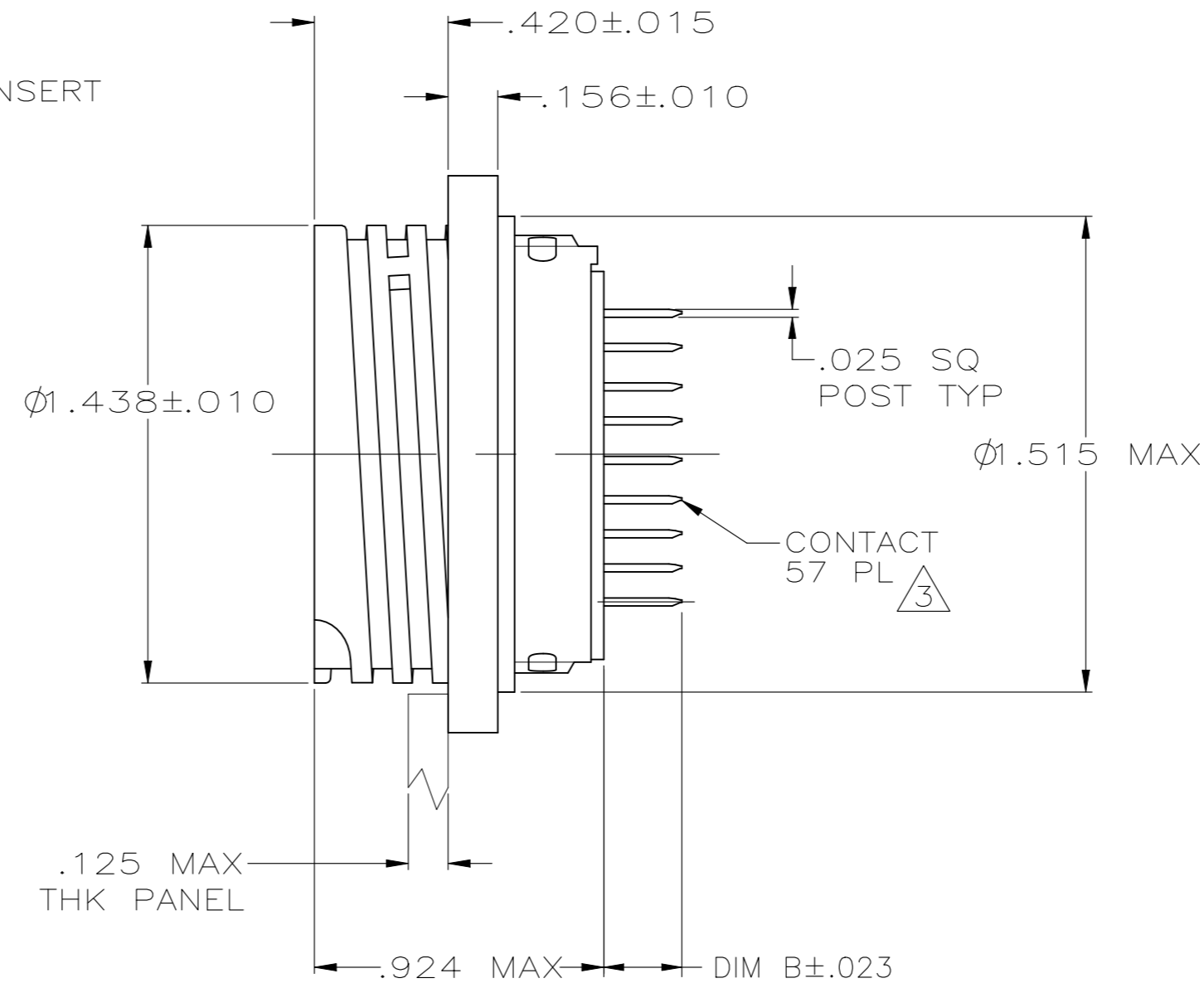
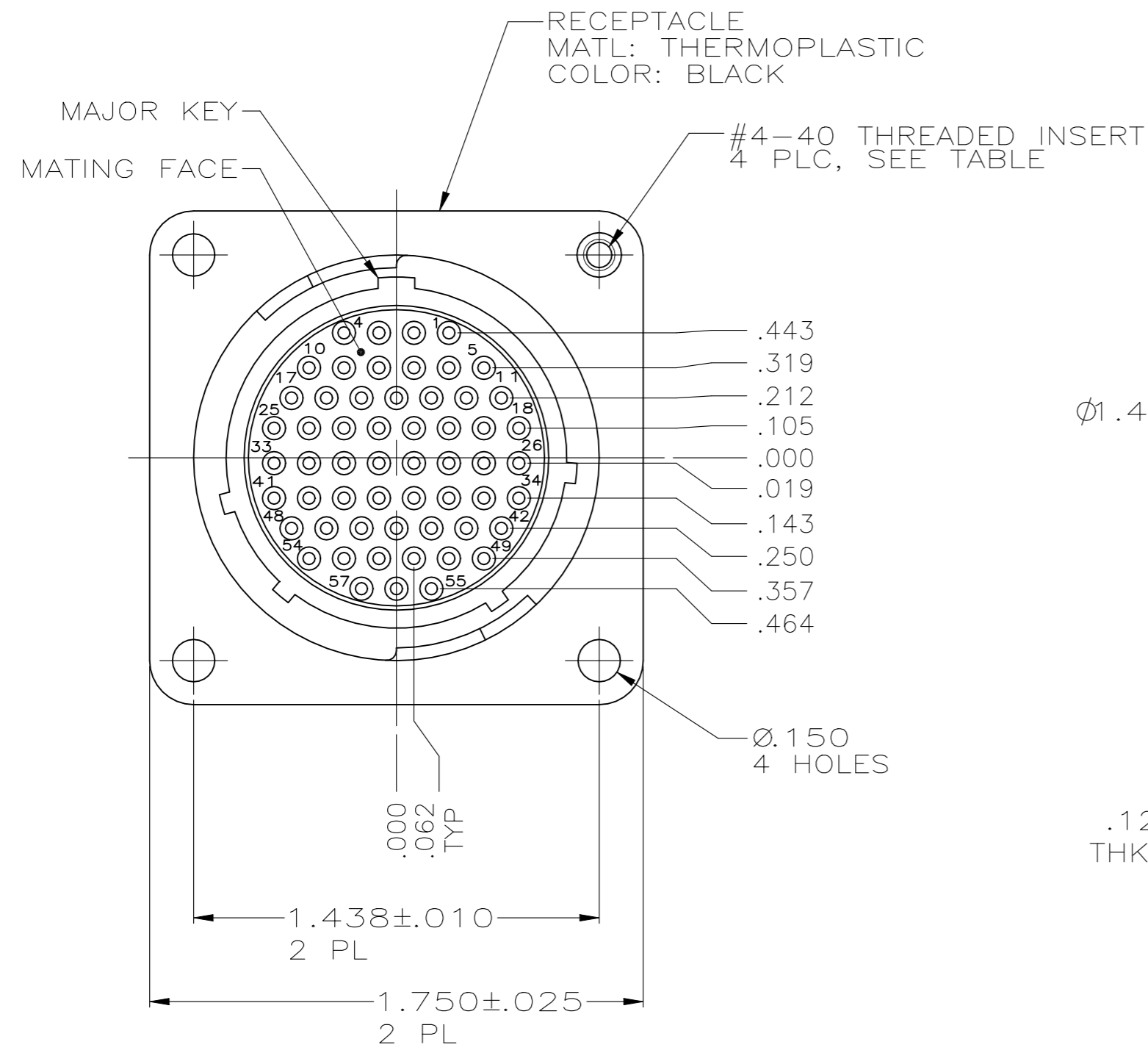


| REVISIONS |     |                           |           |     |      |
|-----------|-----|---------------------------|-----------|-----|------|
| P         | LTR | DESCRIPTION               | DATE      | DWN | APVD |
| G1        |     | REVISED PER ECN-23-205702 | 12JUL2023 | RK  | MZ   |



PANEL CUTOUT  
SCALE: 1:1

- CONTACT CAVITIES IDENTIFIED BY CHARACTERS ON FRONT AND REAR FACES OF CONNECTOR.
- #4 FASTENER RECOMMENDED FOR MOUNTING.
- $\triangle 3$  .000030 MIN GOLD FOR A LENGTH OF .100 MIN FROM MATING END, .000100 MIN TIN-LEAD FOR A LENGTH OF .565 FROM OPPOSITE END, ALL OVER .000050 MIN NICKEL.
- $\triangle 4$  .000030 MIN GOLD FOR A LENGTH OF .100 MIN FROM MATING END, .000100 MIN TIN FOR A LENGTH OF .565 FROM OPPOSITE END, ALL OVER .000050 MIN NICKEL.
- $\triangle 5$  .000001 MIN GOLD FOR A LENGTH OF .100 MIN FROM MATING END, .000100 MIN TIN ON TAIL LENGTH, ALL OVER .000050 MIN NICKEL.
- RECOMMENDED PC BOARD HOLE SIZE FOR CONTACT POST =  $.041 \pm .003$  DIA.
- $\triangle 7$  PRELIMINARY PART NUMBER.

|                      |       |                |                       |             |
|----------------------|-------|----------------|-----------------------|-------------|
|                      | .245  | $\triangle 4$  | NO                    | 1-796329-1  |
| $\triangle$ OBSOLETE | .557  | $\triangle 5$  | NO                    | 796329-5    |
|                      | .467  | $\triangle 5$  | NO                    | 796329-4    |
|                      | .245  | $\triangle 4$  | YES                   | 796329-3    |
| OBSOLETE             | .245  | $\triangle 3$  | YES                   | 796329-2    |
| OBSOLETE             | .245  | $\triangle 3$  | NO                    | 796329-1    |
|                      | DIM B | CONTACT FINISH | 4-40 THREADED INSERTS | PART NUMBER |

|  |  |                  |         |   |               |
|--|--|------------------|---------|---|---------------|
| THIS DRAWING IS A CONTROLLED DOCUMENT. |  | DWN              | 1-31-00 |   |               |
|  |  | CHK              | 2-1-00  |   |               |
|  |  | APVD             | 2-1-00  | NAME  |               |
|  |  | PRODUCT SPEC     |         | RECEPTACLE ASSY, POSTED, REV SEX, SIZE 23-57, SERIES 2, CPC |               |
|  |  | APPLICATION SPEC |         | SIZE  | RESTRICTED TO |
|  |  | WEIGHT           |         | A2  |               |
|  |  | CUSTOMER DRAWING |         | CAGE CODE   | DRAWING NO    |
|  |  |                  |         | 00779   | C=796329      |
|  |  |                  |         | SCALE   | SHEET         |
|  |  |                  |         | 2:1   | 1 OF 1        |
|  |  |                  |         | REV   | G1            |