

# AXL SE DOR2 W 230 - Relay Module



1105562

<https://www.phoenixcontact.com/us/products/1105562>

Please be informed that the data shown in this PDF document is generated from our online catalog. Please find the complete data in the user documentation. Our general terms of use for downloads are valid.



Axioline Smart Elements, Relay module, Relay outputs: 2 (floating), Changeover contact, 220 V DC, 230 V AC, degree of protection: IP20

## Product description

You can integrate Axioline Smart Elements into systems with the Smart Element interface. This Smart Element has two relay changeover contacts that are independent of each other and floating. You can install low-voltage and extra-low-voltage modules directly next to each other on one Axioline F backplane.

## Your advantages

- 2 mono-stable relays
- Floating connections for 2 actuators
- Switching current per channel: 6 A, maximum
- Device rating plate stored

## Commercial data

Item number	1105562
Packing unit	1 pc
Minimum order quantity	1 pc
Sales key	DR05
Product key	DRIB34
GTIN	4055626989013
Weight per piece (including packing)	44 g
Weight per piece (excluding packing)	42.95 g
Customs tariff number	85364900
Country of origin	DE

# AXL SE DOR2 W 230 - Relay Module

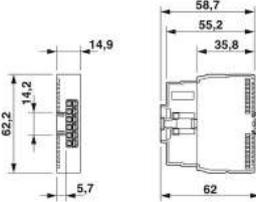


1105562

<https://www.phoenixcontact.com/us/products/1105562>

## Technical data

### Dimensions

Dimensional drawing	
Width	14.9 mm
Height	62.2 mm
Depth	62 mm

### Interfaces

#### Smart Element interface

Number of interfaces	1
Connection method	Card edge connector
Transmission speed	See system in which you use the Smart Element.
Start time until ready to operate	< 500 ms

### System properties

#### Module

ID code (hex)	none
Process data channel	8 bit
Input address area	0 Byte
Output address area	1 Byte
Required parameter data	9 Byte
Required configuration data	6 Byte

### Output data

#### Relay

Number of outputs	2 (floating)
Connection method	Push-in connection
Connection technology	2-conductor
Contact switching type	Changeover contact
Switching current	max. 6 A (up to 250 V AC, $\cos \phi = 0.75 \dots 0.8$ ) max. 6 A (up to 30 V DC, N/O contact, general use) max. 3 A (up to 30 V DC, N/C contact, general use) max. 580 mA (at 48 V DC) max. 250 mA (at 110 V DC) max. 125 mA (at 220 V DC)

# AXL SE DOR2 W 230 - Relay Module



1105562

<https://www.phoenixcontact.com/us/products/1105562>

	max. 220 mA DC (125 V DC, L/R ≤ 50 ms)
	max. 110 mA DC (250 V DC, L/R ≤ 50 ms)
Switching capacity	max. 1500 VA (AC applications up to 55°C, observe derating above that)
	max. 180 W (up to 30 V DC, N/O contact, general use)
	max. 90 W (up to 30 V DC, N/C contact, general use)
	max. 28 W (above 30 V DC)
	For further DC values, see DC load limit curve.
Switching capacity in accordance with IEC 60947-5-1	3 A (24 V (AC15))
	3 A (120 V (AC15))
	3 A (230 V (AC15))
	2 A (24 V (DC13), L/R = 100 ms)
	0.2 A (110 V (DC13), L/R = 44 ms)
	0.1 A (220 V (DC13), L/R = 44 ms)
Switching capacity in accordance with UL/CSA 61010-2-201	5 A (AC, B300, up to max. 55°C)
	1 A (DC, R300, up to max. 60°C)
Switching frequency	max. 6 (per minute)
Mechanical service life	20x 10 <sup>6</sup> cycles

## Product properties

Type	modular
Product type	I/O component
Product family	Axiline Smart Elements
Mounting position	See the system in which the Smart Element is used.

## Insulation characteristics

Overvoltage category	III (EN 61010-2-201/IEC 61010-2-201)
Pollution degree	2 (IEC 60664-1, EN 60664-1)

## Electrical properties

### Potentials: Communications power supply of the Smart Elements (U<sub>SE</sub>)

Supply voltage	using card edge connectors
----------------	----------------------------

### Potentials: I/O supply (U<sub>P</sub>)

Supply voltage	24 V DC (using card edge connectors)
Supply voltage range	19.2 V DC ... 30 V DC (including all tolerances, including ripple)
Current draw	typ. 36 mA (18 mA per relay, all contacts floating)
Protective circuit	Surge protection; See the system in which the Smart Element is used.
	Reverse polarity protection; parallel diode
Test voltage: Communications supply / 24 V supply (I/O)	500 V AC, 50 Hz, 1 min.
Test voltage: Communications supply / functional ground	500 V AC, 50 Hz, 1 min.
Test voltage: 24 V supply (I/O) / functional ground	500 V AC, 50 Hz, 1 min.
Test voltage: Supply logic / relay contact	4 kV
Test voltage: 24 V supply (devices) / relay contact	4 kV

# AXL SE DOR2 W 230 - Relay Module



1105562

<https://www.phoenixcontact.com/us/products/1105562>

Test voltage: Relay contact / functional ground	4 kV
---	------

## Connection data

### Connection technology

Connection name	I/O
Note on the connection method	Please observe the information provided on conductor cross sections in the "Axioline Smart Elements" user manual. When selecting the cables, observe the permissible operating temperature in accordance with IEC or UL.

### Conductor connection

Connection method	Push-in connection
Conductor cross section rigid	0.25 mm <sup>2</sup> ... 1.5 mm <sup>2</sup>
Conductor cross section flexible	0.25 mm <sup>2</sup> ... 1.5 mm <sup>2</sup>
Conductor cross section AWG	24 ... 16
Conductor cross section flexible, with ferrule without plastic sleeve	0.25 mm <sup>2</sup> ... 1.5 mm <sup>2</sup>
Conductor cross section, flexible, with ferrule, with plastic sleeve	0.25 mm <sup>2</sup> ... 0.75 mm <sup>2</sup>
Stripping length	8 mm

### I/O

Connection method	Push-in connection
Note on the connection method	Please observe the information provided on conductor cross sections in the "Axioline Smart Elements" user manual. When selecting the cables, observe the permissible operating temperature in accordance with IEC or UL.
Conductor cross section, rigid	0.25 mm <sup>2</sup> ... 1.5 mm <sup>2</sup>
Conductor cross section, flexible	0.25 mm <sup>2</sup> ... 1.5 mm <sup>2</sup>
Conductor cross section AWG	24 ... 16
Conductor cross section, flexible, with ferrule, with plastic sleeve	0.25 mm <sup>2</sup> ... 0.75 mm <sup>2</sup>
Conductor cross section flexible, with ferrule without plastic sleeve	0.25 mm <sup>2</sup> ... 1.5 mm <sup>2</sup>
Stripping length	8 mm

## Environmental and real-life conditions

### Ambient conditions

Ambient temperature (operation)	-25 °C ... 60 °C
Degree of protection	IP20
Air pressure (operation)	80 kPa ... 106 kPa
Air pressure (storage/transport)	70 kPa ... 106 kPa (up to 3000 m above sea level)
Ambient temperature (storage/transport)	-40 °C ... 85 °C
Permissible humidity (operation)	5 % ... 95 % (non-condensing)
Permissible humidity (storage/transport)	5 % ... 95 % (non-condensing)

## Mounting

Mounting type	Smart Element slot
---------------	--------------------

# AXL SE DOR2 W 230 - Relay Module



1105562

<https://www.phoenixcontact.com/us/products/1105562>

Mounting position

See the system in which the Smart Element is used.

# AXL SE DOR2 W 230 - Relay Module

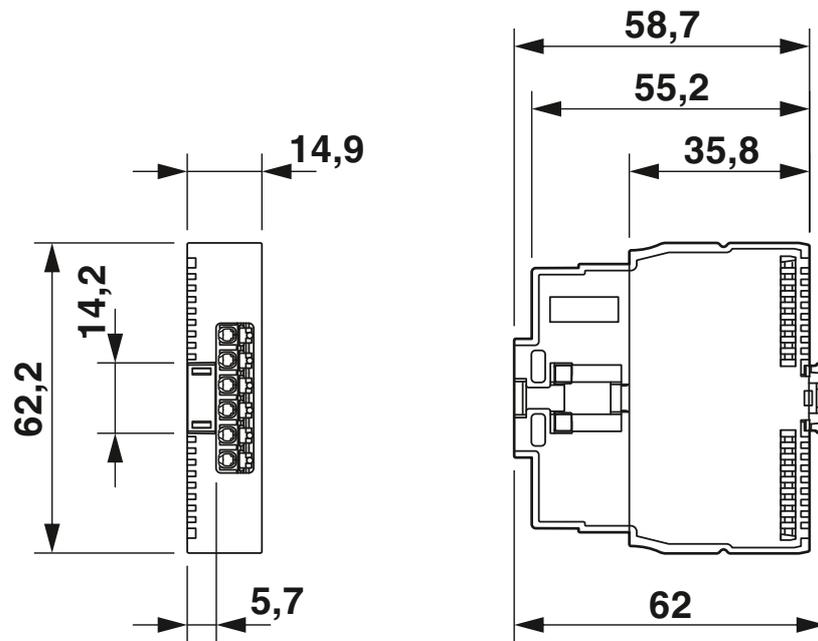
1105562

<https://www.phoenixcontact.com/us/products/1105562>



## Drawings

Dimensional drawing



## Dimensions

# AXL SE DOR2 W 230 - Relay Module



1105562

<https://www.phoenixcontact.com/us/products/1105562>

## Approvals

To download certificates, visit the product detail page: <https://www.phoenixcontact.com/us/products/1105562>



**UL Listed**

Approval ID: FILE E 238705



**EAC**

Approval ID: TR\_TS\_D\_01831-19

**cULus Listed**

# AXL SE DOR2 W 230 - Relay Module



1105562

<https://www.phoenixcontact.com/us/products/1105562>

## Classifications

### ECLASS

ECLASS-11.0	27242604
ECLASS-12.0	27242604
ECLASS-13.0	27242604

### ETIM

ETIM 8.0	EC001599
----------	----------

### UNSPSC

UNSPSC 21.0	32151600
-------------	----------



# AXL SE DOR2 W 230 - Relay Module



1105562

<https://www.phoenixcontact.com/us/products/1105562>

## Environmental product compliance

REACH SVHC	Lead 7439-92-1
China RoHS	Environmentally Friendly Use Period = 50 years
	For information on hazardous substances, refer to the manufacturer's declaration available under "Downloads"

# AXL SE DOR2 W 230 - Relay Module



1105562

<https://www.phoenixcontact.com/us/products/1105562>

## Mandatory accessories

### AXL F BP SE4 - Module carrier

1088135

<https://www.phoenixcontact.com/us/products/1088135>

Axioline F, Backplane, 4 slots for Axioline Smart Elements, transmission speed in the local bus: 100 Mbps, degree of protection: IP20



---

### AXL F BP SE6 - Module carrier

1088136

<https://www.phoenixcontact.com/us/products/1088136>

Axioline F, Backplane, 6 slots for Axioline Smart Elements, transmission speed in the local bus: 100 Mbps, degree of protection: IP20



---

## Accessories

# AXL SE DOR2 W 230 - Relay Module



1105562

<https://www.phoenixcontact.com/us/products/1105562>

## SZS 0,4X2,5 VDE - Screwdriver

1205037

<https://www.phoenixcontact.com/us/products/1205037>



Screwdriver, slot-headed, VDE insulated, size: 0.4 x 2.5 x 80 mm, 2-component grip, with non-slip grip

---

## CRIMPFOX 6 - Crimping pliers

1212034

<https://www.phoenixcontact.com/us/products/1212034>



Crimping pliers, for ferrules without insulating collar according to DIN 46228 Part 1 and ferrules with insulating collar according to DIN 46228 Part 4, 0.25 mm<sup>2</sup> ... 6.0 mm<sup>2</sup>, lateral entry, trapezoidal crimp

# AXL SE DOR2 W 230 - Relay Module

1105562

<https://www.phoenixcontact.com/us/products/1105562>

## CRIMPFOX DUO 10 - Crimping pliers

1031721

<https://www.phoenixcontact.com/us/products/1031721>



Crimping pliers, contact connection type: Insulated and uninsulated ferrules, standards/specifications: DIN 46228-1, DIN 46228-4, UL 486F, form A, E, F, min. cross section: 0.14 mm<sup>2</sup>, max. cross section: 10 mm<sup>2</sup>, for TWIN ferrules up to 2 x 4 mm<sup>2</sup>, automatic cross section adjustment, rotating die, lateral and frontal insertion, compression: Trapezoidal crimp, black/green

---

## CRIMPFOX 10T-F - Crimping pliers

1134913

<https://www.phoenixcontact.com/us/products/1134913>



Crimping pliers, contact connection type: Insulated and uninsulated ferrules, standards/specifications: DIN 46228-1, DIN 46228-4, min. cross section: 0.14 mm<sup>2</sup>, max. cross section: 10 mm<sup>2</sup>, For TWIN ferrules up to 2 x 4 mm<sup>2</sup>, automatic cross section adjustment, frontal insertion, compression: Trapezoidal crimp, black

# AXL SE DOR2 W 230 - Relay Module

1105562

<https://www.phoenixcontact.com/us/products/1105562>



## MM-TML (EX4,2)R C1 TR/BK - Label

0803979

<https://www.phoenixcontact.com/us/products/0803979>



Label, Roll, transparent/black, unlabeled, can be labeled with: THERMOFOX, THERMOMARK GO, THERMOMARK GO.K, mounting type: adhesive, lettering field size: continuous x 3.2 mm

---

## SK 5,0 WH:REEL - Marker strip

0805221

<https://www.phoenixcontact.com/us/products/0805221>



Marker strip, Roll, white, unlabeled, can be labeled with: THERMOMARK E.300 (D)/600 (D), THERMOMARK ROLL 2.0, THERMOMARK ROLL, THERMOMARK ROLL X1, THERMOMARK ROLLMASTER 300/600, THERMOMARK X1.2, mounting type: adhesive, lettering field size: continuous x 5 mm, Number of individual labels: 90000

# AXL SE DOR2 W 230 - Relay Module

1105562

<https://www.phoenixcontact.com/us/products/1105562>



## UM6M-TM (5X12) - Marker for terminal blocks

0830928

<https://www.phoenixcontact.com/us/products/0830928>



Marker for terminal blocks, Strip, white, unlabeled, can be labeled with: TOPMARK NEO, TOPMARK LASER, BLUEMARK ID COLOR, BLUEMARK ID, BLUEMARK CLED, THERMOMARK PRIME, THERMOMARK CARD 2.0, THERMOMARK CARD, mounting type: snapped, for terminal block width: 5 mm, lettering field size: 5 x 12 mm, Number of individual labels: 24

---

## UCT6M-TM 5 - Marker for terminal blocks

0830756

<https://www.phoenixcontact.com/us/products/0830756>



Marker for terminal blocks, for marking ABB terminal blocks from the SNK series, Sheet, white, unlabeled, can be labeled with: THERMOMARK CARD, THERMOMARK CARD 2.0, THERMOMARK PRIME, BLUEMARK ID, BLUEMARK ID COLOR, TOPMARK LASER, TOPMARK NEO, mounting type: snapped, for terminal block width: 5.2 mm, lettering field size: 4.17 x 11.3 mm

---

Phoenix Contact 2023 © - all rights reserved  
<https://www.phoenixcontact.com>

Phoenix Contact USA  
586 Fulling Mill Road  
Middletown, PA 17057, United States  
(+717) 944-1300  
[info@phoenixcon.com](mailto:info@phoenixcon.com)