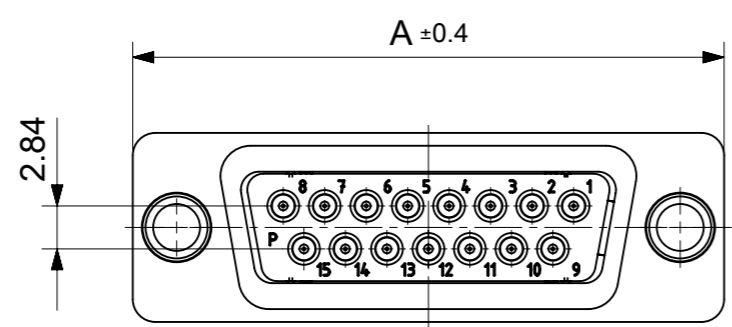
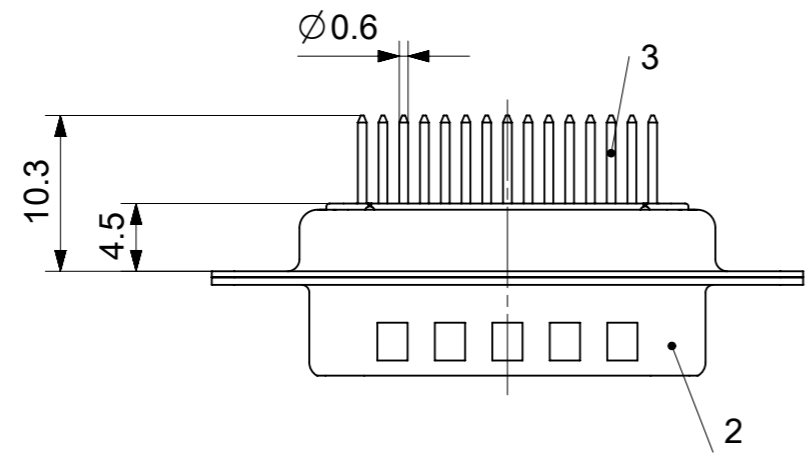
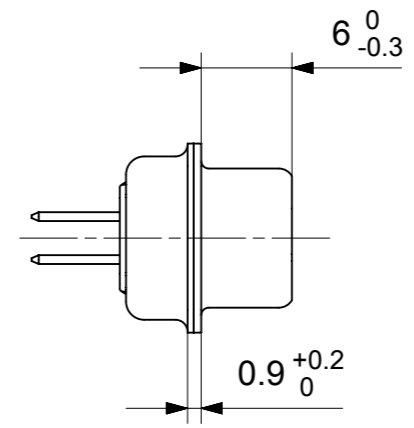
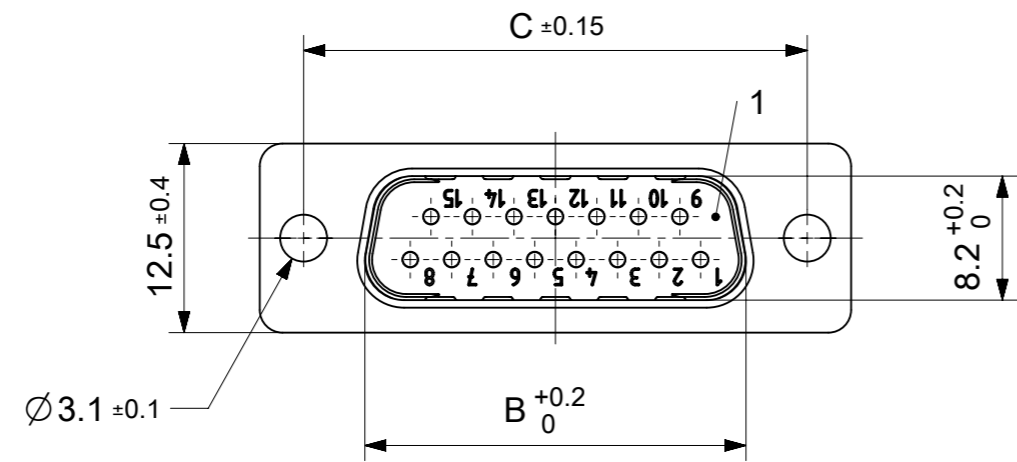


RoHS compliant
by exemption



FCT Part number:
Fxx*1)P1G1A
e.g. F15P1G1A
*1) xx No. of contacts 09, 15, 25 or 37

Material Number	xx*1)	A[mm]	B[mm]	C[mm]	*E[mm]
1731090641	09	30.8	16.9	25	Ø1
1731090699	15	39.1	25.2	33.3	
1731090709	25	53	38.9	47.04	
1731090719	37	69.3	55.3	63.5	

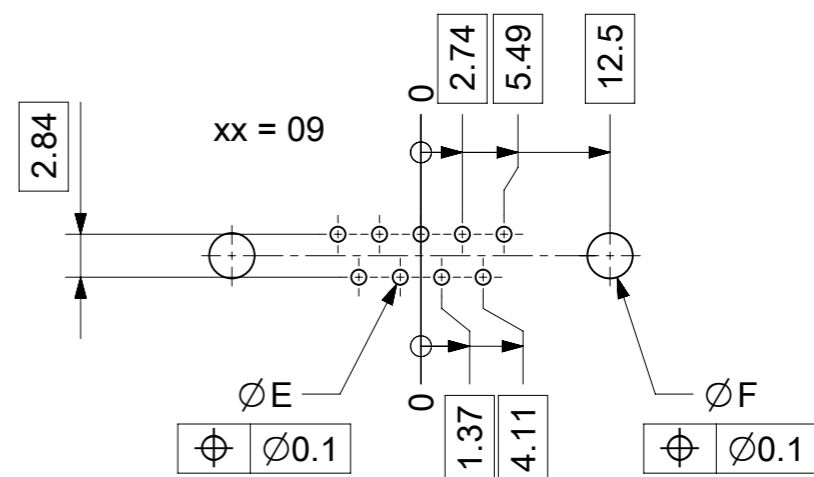
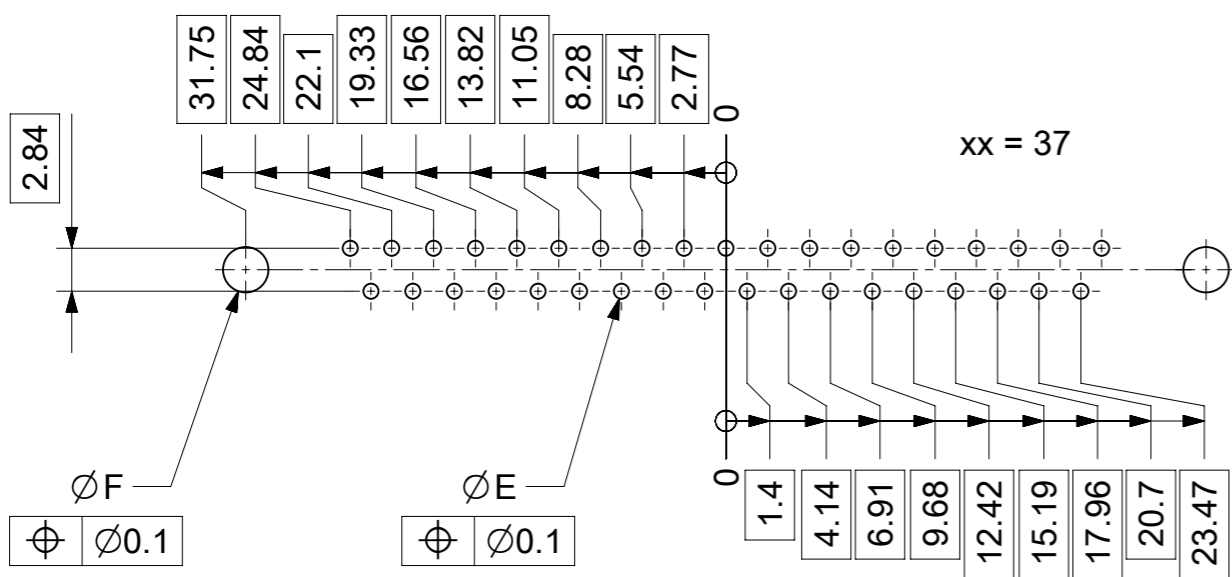
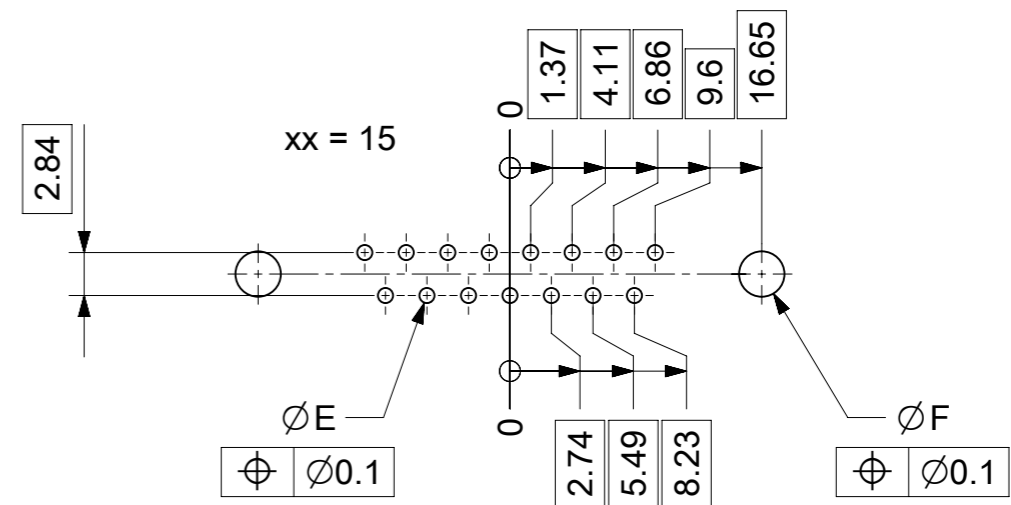
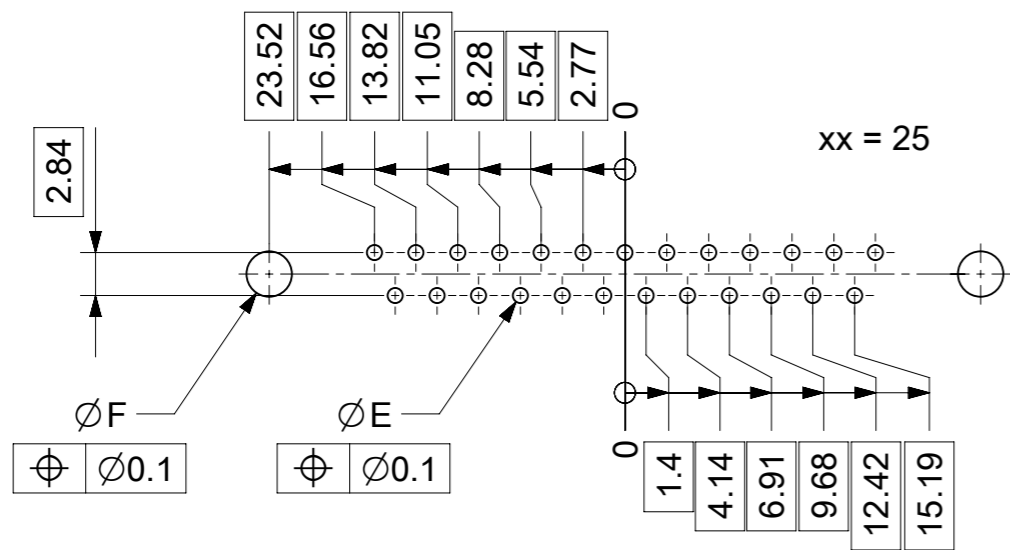
*PCB hole patterns ØE see document 2195600023

3	xx	Signal contact	P1 / Brass	AuroPur
2	1	Shell	Steel	tin plated
1	1	Insulator	PBT (-55°C to +125°C) acc. UL94V-0	white
No.	Pc.	Part	Type Description/Material	Surface plating/ Color/Class

MEASUREMENTS WITHOUT TOLERANCE ACC TO ISO 2768-m

REPLACEMENT FOR DOCUMENT NUMBER: FxxP1G1A

FUNCTIONAL SYMBOLS	DIMENSION UNITS	SCALE	CURRENT REV DESC:
$\nabla_A = 0$	mm	2:1	EC NO: 706086 DRWN: GOOLAM 2021/11/24 CHK'D: MTEUBEL 2022/05/11 APPR: MTEUBEL 2022/05/11 INITIAL REVISION: DRWN: GOOLAM 2021/11/24 APPR: MTEUBEL 2022/05/11
$\nabla_E = 0$	GENERAL TOLERANCES (UNLESS SPECIFIED)		
$\nabla_F = 0$	ANGULAR TOL ± °		
$\nabla_G = 0$	4 PLACES ±		
$\nabla_H = 0$	3 PLACES ±		molex FCT D-SUB MINIATURE CONNECTOR PRODUCT CUSTOMER DRAWING
$\nabla_I = 0$	2 PLACES ±		
$\nabla_J = 0$	1 PLACE ±		
$\nabla_K = 0$	0 PLACES ±		
DIVISIONAL SYMBOLS	DRAFT WHERE APPLICABLE MUST REMAIN WITHIN DIMENSIONS		DOCUMENT NUMBER: 1731090641 DOC TYPE: PSD DOC PART: 000 REVISION: A
FIRST ANGLE PROJECTION		DRAWING: A3-SIZE	SERIES: 173109
MATERIAL NUMBER: SEE TABLE		CUSTOMER: GENERAL MARKET	
SHEET NUMBER: 1 OF 1			



ØE, ØF see data sheet incl. connector
 ØF connectors with accessories only

MEASUREMENTS WITHOUT TOLERANCE ACC TO ISO 2768-m			REPLACEMENT FOR DOCUMENT NUMBER: AM0023			
THIS DRAWING CONTAINS INFORMATION THAT IS PROPRIETARY TO MOLEX ELECTRONIC TECHNOLOGIES, LLC AND SHOULD NOT BE USED WITHOUT WRITTEN PERMISSION						
FUNCTIONAL SYMBOLS	DIMENSION UNITS	SCALE	CURRENT REV DESC:			
FA = 0	mm	2:1	EC NO: 713905			
FE = 0	GENERAL TOLERANCES (UNLESS SPECIFIED)		DRWN: SKANDB 2022/05/16			
FP = 0	ANGULAR TOL ± °		CHK'D: MTEUBEL 2022/07/12			
DIVISIONAL SYMBOLS	4 PLACES ±		APPR: MTEUBEL 2022/07/12			
	3 PLACES ±		INITIAL REVISION:			
	2 PLACES ±		DRWN: SKANDB 2022/05/16			
	1 PLACE ±		APPR: MTEUBEL 2022/07/12			
	0 PLACES ±		DOCUMENT NUMBER			
DRAFT WHERE APPLICABLE MUST REMAIN WITHIN DIMENSIONS		FIRST ANGLE PROJECTION	DRAWING	SERIES	MATERIAL NUMBER	CUSTOMER
			A3-SIZE	219560	219560	GENERAL MARKET
			PRODUCT CUSTOMER DRAWING		REVISION	
			2195600023		A	
			PSD 000		1 OF 1	