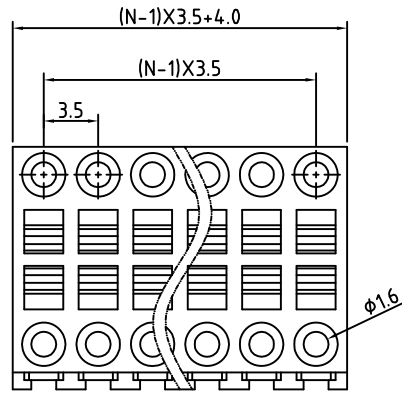
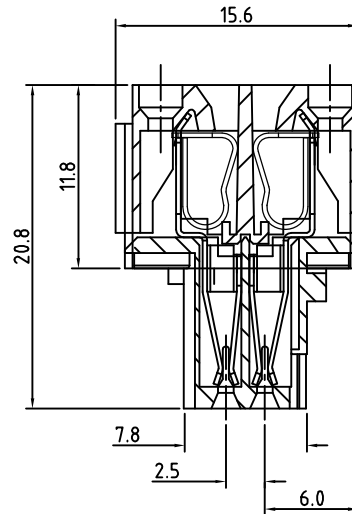
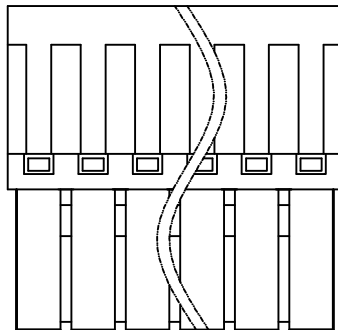


Transfer or duplication of this document as well as the utilisation or communication of its content are not permitted unless express consent is granted. Violations give rise to claims for damages. All rights reserved in case of patent, utility model or design patent registrations.



N=Number of contacts



**Technical Data:**

**Electrical**

Pitch: 3.5mm

Voltage rating: 300V

Current rating: 12 Amps

Contact resistance: 20mΩ(max)

Withstanding Voltage: 2500VAC(1min) Test time=60sec/1pcs

Wire range: 14-26AWG

Wire strip length: 7-8mm

**Mechanical:**

Operating temperature: -40°C to +105°C

Safety approval:

RoHS Compliance

Part No.:

**OSTVWXX1000**

**No. of Poles**

02 2 Poles

03 3 Poles

... ..

24 24 Poles

**COLOR**

0: Black (Standard)

2: Red

3: Orange (Standard)

4: Yellow

5: Green

6: Blue

8: Grey

Nonstandard colors  
Mins could apply

4	Terminal	Copper Alloy	Tin plated	2xN
3	Wire guard	Stainless steel		2xN
2	Cover	PA66 UL94V-0		1
1	Body	PA66 UL94V-0		1
ITEM	NAME OF PART	MATERIAL	NOTES	Q"TY
DWG.	DATE	UNITS:	MM	SHEET: 1 OF 1
CHK.	DATE	SCALE:	NONE 3:1	REV.: A
APP.	DATE	TITLE:	OSTVW SERIES 3.5MM	X. ±0.50
			WITHOUT FLANGE	X.X ±0.30
		PART NO.:	OSTVWXX1000	X* ±1°
		DWG NO.:	OSTVWXX1000.DWG	

REV	△	DESCRIPTION	CHK.	DATE



ON-SHORE TECHNOLOGY, INC.