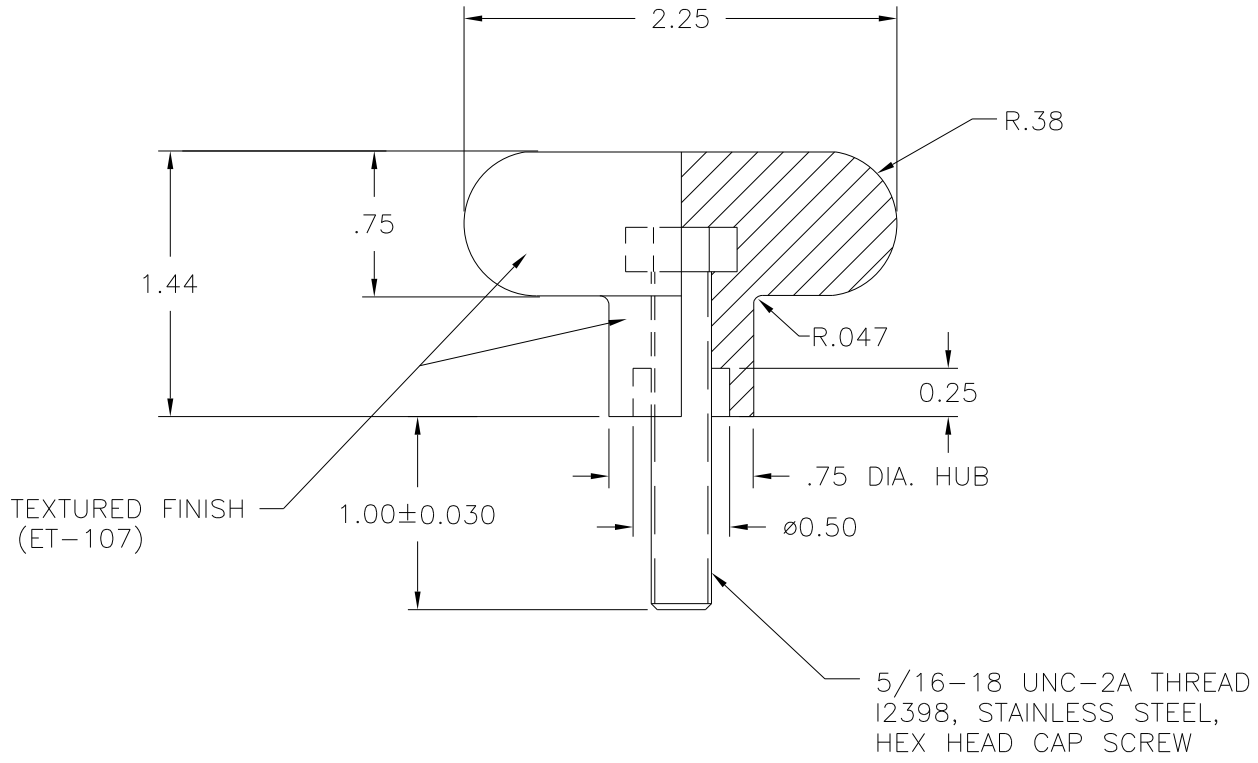


PART NAME: KNOB    SCALE: 1:1    DATE: 6/22/09    DR. BY JAM

THIS DRAWING IS THE PROPERTY OF DAVIES MOLDING COMPANY, IS SUBMITTED SOLELY AS A DESIGN OR ENGINEERING PROJECT. WE ACCEPT NO RESPONSIBILITY WHATSOEVER FOR THE PRACTICAL APPLICATION OF THE PIECES MADE TO THIS DESIGN.

DAVIES MOLDING COMPANY  
CAROL STREAM, ILLINOIS 60188

P/N	3081BT
M NO.	FRAME NO. 23
CAVITY	3081
CORE	3081
SLEEVE	3081
PIN	3081BT
INSERT	I2398



MATERIAL: POLYPROPYLENE (CLD)  
COLOR: BLACK

TOLERANCES: UNLESS OTHERWISE SPECIFIED	DO NOT SCALE DRAWING			
DECIMALS: X.XXX ± .005 X.XX ± .015	MM: X.XX ± 0.15MM X.X ± 0.4MM			
FRACTIONS ± 1/64	ANG. ± 1°	CHANGES		