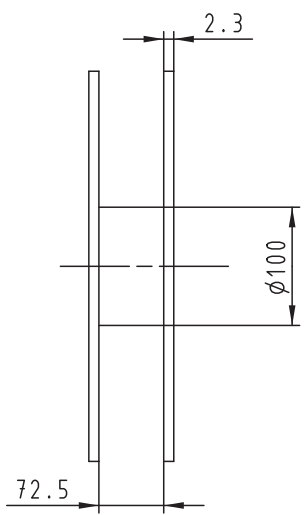
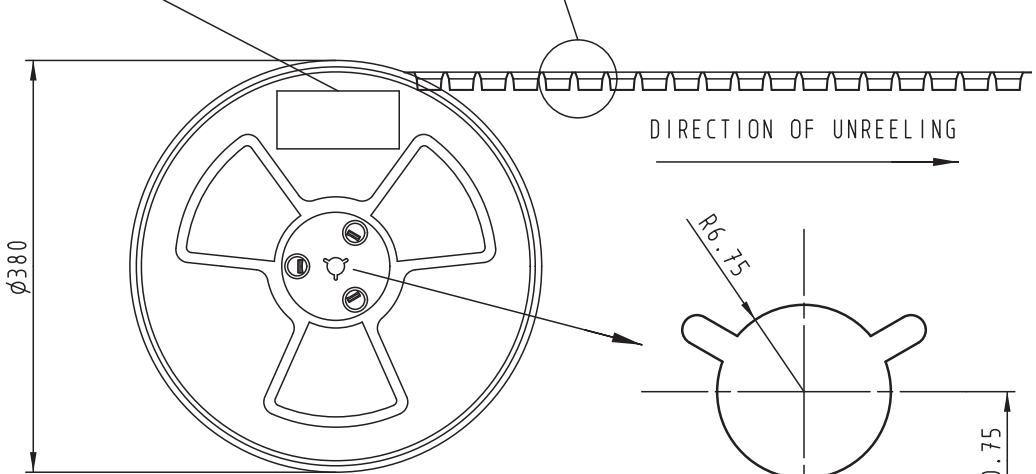
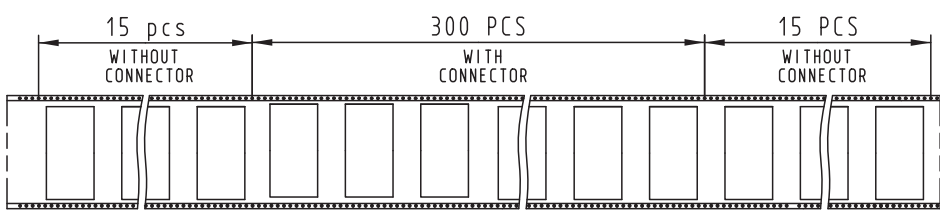
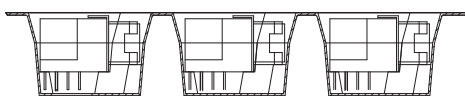
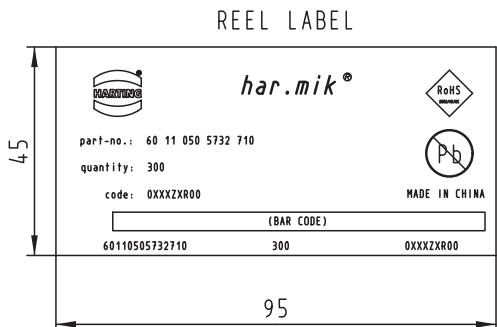


All rights reserved



Packaging in accordance with EIA 481-2-A tape & reel packaging for gripping process

1) see TB 60 11 050 5732 folio 1/2 for connector dimensions and PCB layout

60 11 050 5732.710	in reel unit packaging 300 connectors
Part Number	Index designation

			Techn. Character.			Free size tolerances			
						har.mik® I/O bellow			
			Detail.	29-OCT-09	J.Sheng	Scale 2:1	50P Har.mik female SMC		
			Insp.	18-Nov-09	S.W		with angled solder pins,		
			Stand.	18-Nov-09	S.W		thread hole M2.5, fixed latches		
EC01926	31-May-10	K.Luo	Zhuhai Harting Limited				TB 60 11 050 5732		
31770	29-OCT-09	J.Sheng	Mod.	Dat.	Name		Sub.	Page 2/2	