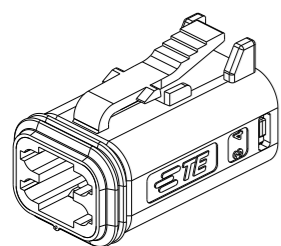
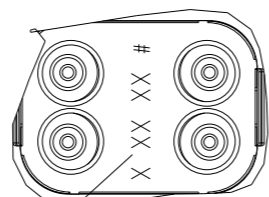
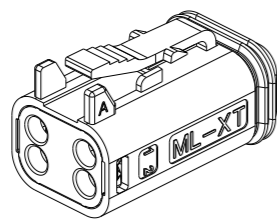


P	LTR	DESCRIPTION	DATE	DWN	APVD
	A	INITIAL RELEASE	19JUN2020	J.G	I.Y
	A1	ECR-20-010349	26JUL2020	J.G	I.Y
	A2	ECN-21-113425	17AUG2021	J.G	Z.Z



4CCT PLUG CONNECTOR WITHOUT HEATSHRINK HOUSING

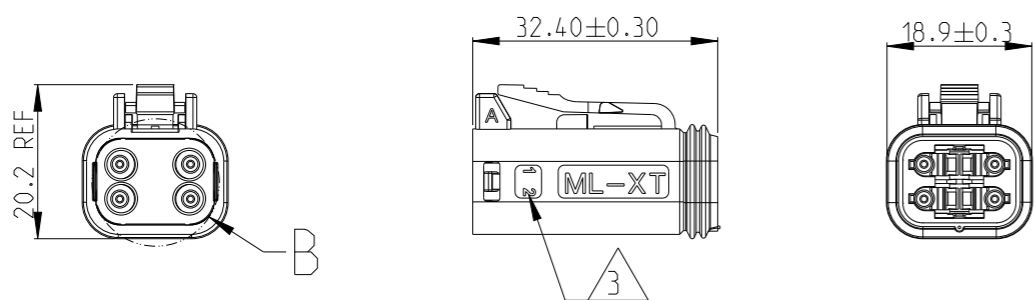


DETAIL B SCALE 2:1

4 DATE CODE: X XX XX
 X- DAY: 1- 7
 XX- WEEK: 01 - 52
 XX- YEAR: 00 - 99

#- MACHINE NO. 1

EXAMPLE: 11315 = DAY 1, WEEK 13, YEAR 15
i.e. 23rd OF MARCH 2015



1. THIS PLUG MATES WITH RECEPTACLE ASSEMBLY PN X-2600030-X, WEDGE LOCK PN W4SX.

2. MATERIALS

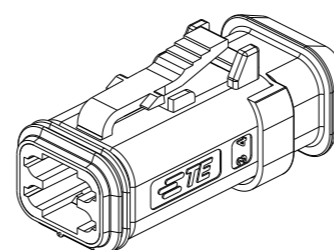
PLUG HOUSING: NYLON GF30, SEE PN TABLE FOR COLOUR; PLUG SEAL: SILICONE RUBBER, RED
 BACK SEAL: SILICONE RUBBER
 BACK COVER: NYLON GF30, BLACK
 HEATSHRINK HOUSING: NYLON GF30, BLACK

3 CIRCUIT IDENTIFICATION

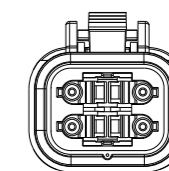
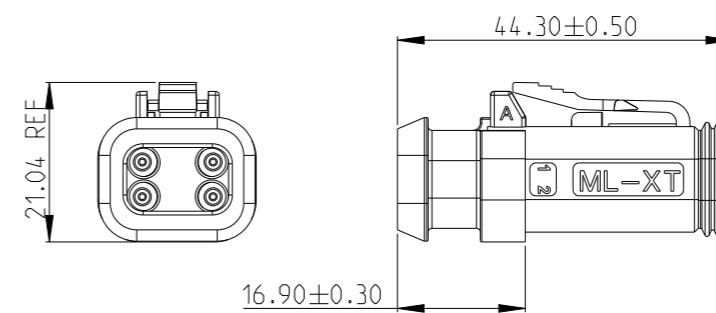
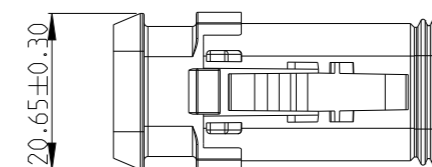
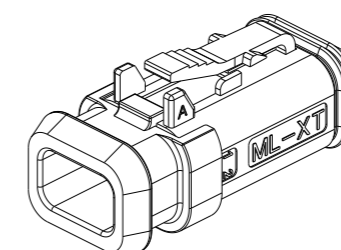
4 DATE CODE DESCRIPTION


5. JACKET RANGE LARGE = Ø2.23MM TO 3.68MM (SEAL COLOUR: LIGHT BLUE)
 JACKET RANGE SMALL = Ø1.20MM TO 3.05MM (SEAL COLOUR: BURNT ORANGE)

6. SEE SHEET 2 FOR FINAL PART NUMBER



4CCT PLUG CONNECTOR WITH HEATSHRINK HOUSING ULTRASONICALLY WELDED IN PLACE



THIS DRAWING IS A CONTROLLED DOCUMENT.		DWN J.GU 19JUN2020	 TE Connectivity											
DIMENSIONS: mm		CHK E. JIANG 19JUN2020												
TOLERANCES UNLESS OTHERWISE SPECIFIED:		APVD I.YIN 19JUN2020												
<table border="1"> <tr><td>0 PLC</td><td>±</td></tr> <tr><td>1 PLC</td><td>±</td></tr> <tr><td>2 PLC</td><td>±</td></tr> <tr><td>3 PLC</td><td>±</td></tr> <tr><td>4 PLC</td><td>±</td></tr> <tr><td>ANGLES</td><td>±</td></tr> </table>		0 PLC			±	1 PLC	±	2 PLC	±	3 PLC	±	4 PLC	±	ANGLES
0 PLC	±													
1 PLC	±													
2 PLC	±													
3 PLC	±													
4 PLC	±													
ANGLES	±													
MATERIAL -		FINISH -	APPLICATION SPEC 114-160017	NAME 4CCT DT-XT CONNECTOR PLUG ASSEMBLY										
		WEIGHT -	SIZE A3	CAGE CODE 00779										
			DRAWING NO C-2600031	RESTRICTED TO -										
			CUSTOMER DRAWING; RESTRICTED CUSTOMER	SCALE 1:1										
				SHEET 1 OF 2										
				REV A2										

