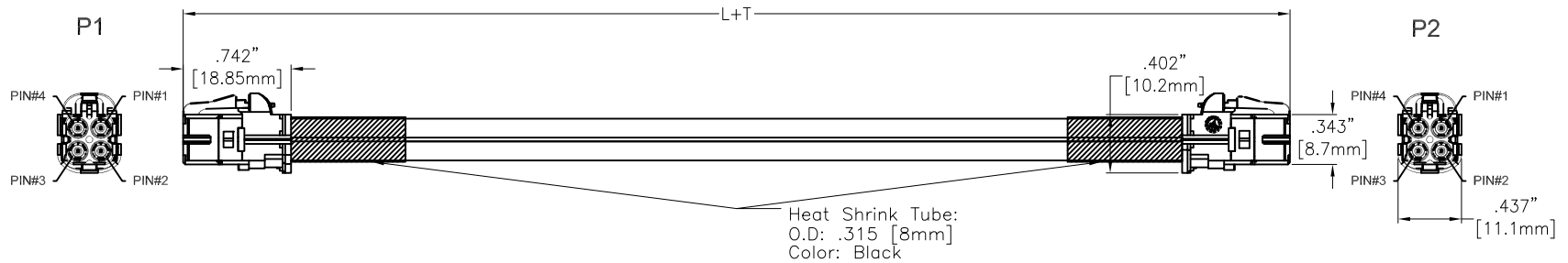



APPROVED: _____
 DATE: _____ TITLE: _____

Rev	AWO #	Description	Date	Appr
-		RELEASED	5/6/21	
A		UPDATE DRAWING	5/26/21	LH/RC
B		UPDATE PAGE2 DRAWING	10/22/21	LH/RC




ADAM-P/N	L+T
CA-BM04XJ-BM04XJ-3.3	39.370"±1.181" [1000±30mm]
CA-BM04XJ-BM04XJ-9.8	118.110"±1.969" [3000±50mm]
CA-BM04XJ-BM04XJ-39.4	472.441"±3.937" [12000±100mm]

SPECIFICATIONS:

Connector: 
 P1&P2= Mini FAKRA Code see Page2 , Jack, Straight, 30u" Gold Plated
Cable:
 Coaxial Cable+AL+Braid, O.D: .130" [3.3mm], Jacket Color: Black
 Electrical:
 Impedance: 50 Ohm
 Temperature Rating:
 -40°C to +105°C

Electrical Test:
 All Assemblies must be 100% Tested for
 Shorts, Open, Continuity, and Physical Appearance.

Environmental:
 Lead free, RoHS compliant 

UNLESS OTHERWISE SPECIFIED ALL DIMENSIONS ARE INCHES [MM]. TOLERANCES: EXCEPT AS NOTED			
INCHES		HOLES	
.X	±.10	Ø.X	±.10
.XX	±.020	Ø.XX	±.015
.XXX	±.015	Ø.XXX	±.010

ADAM TECH

909 Rahway Avenue,
 Union, NJ 07083
 Phone: 908-687-5000
 Fax: 908-687-5710

DRAWN	LH	5/6/21
CHECKED	RC	5/6/21
APPROVED		

TITLE
 CUSTOM CABLE ASSEMBLY, MINI FAKRA JACK
 STRAIGHT 2*2 TO MINI FAKRA JACK STRAIGHT 2*2, OD 3.3 CABLE

SIZE X	PART NO. CA-BM04XJ-BM04XJ-X	REV. B
REF: S00134C	SCALE: NTS	SHEET 1 OF 2

THIS DRAWING CONTAINS INFORMATION THAT IS PROPRIETARY AND SHOULD NOT BE USED WITHOUT PRIOR WRITTEN PERMISSION FROM ADAM TECH

6

5

4

3

2

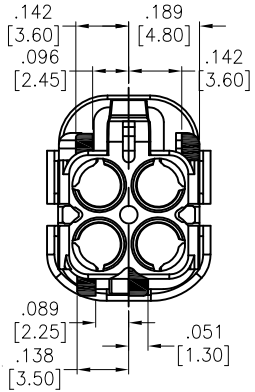
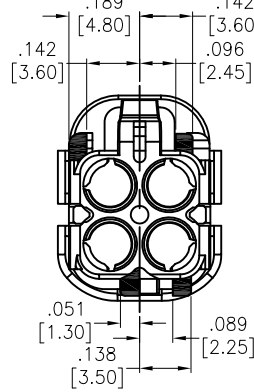
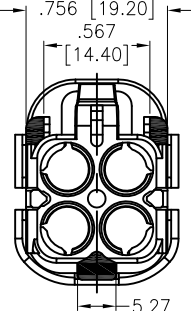
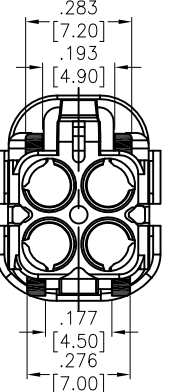
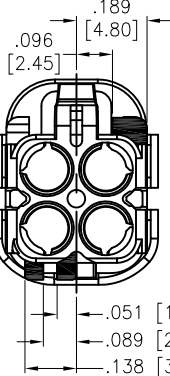
1

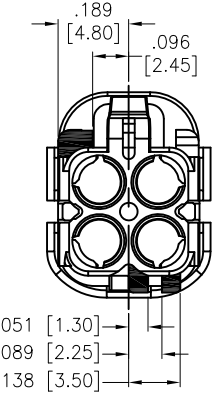
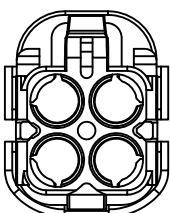
APPROVED: _____

DATE: _____ TITLE: _____

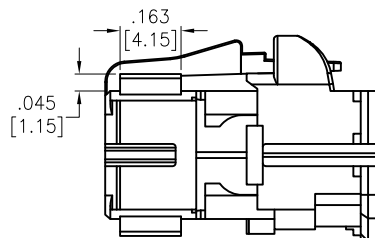
Rev	AWO #	Description	Date	Appr
SEE SHT 1 OF 2 FOR REVISION				

CA-BM04XJ-BM04XJ-X

CODING A	CODING B	CODING C	CODING D	CODING E
BLACK	PURE WHITE	LIGHT BLUE	CLARET VIOLET	MAY GREEN
				

CODING F	CODING Z
NUT BROWN	WATER BLUE
	

All Coding



UNLESS OTHERWISE SPECIFIED ALL DIMENSIONS ARE INCHES [MM]. TOLERANCES: EXCEPT AS NOTED

INCHES		HOLES	
.X	± .10	Ø.X	± .10
.XX	± .020	Ø.XX	± .015
.XXX	± .015	Ø.XXX	± .010

ADAM TECH 909 Rahway Avenue, Union, NJ 07083
 Phone: 908-687-5000
 Fax: 908-687-5710

DRAWN	LH	5/6/21
CHECKED	RC	5/6/21
APPROVED		

TITLE
 CUSTOM CABLE ASSEMBLY, MINI FAKRA JACK
 STRAIGHT 2*2 TO MINI FAKRA JACK STRAIGHT 2*2, OD 3.3 CABLE

SIZE X	PART NO. CA-BM04XJ-BM04XJ-X	REV. B
REF: S00134C	SCALE: NTS	SHEET 2 OF 2

6

5

4

3

2

1