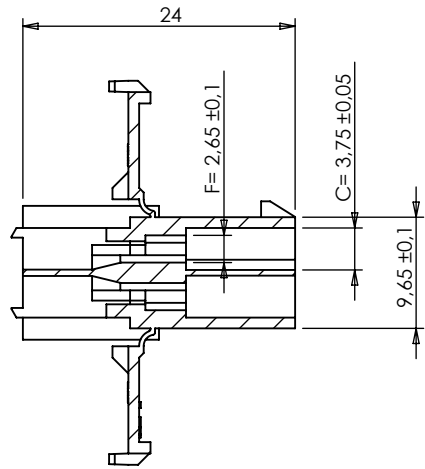
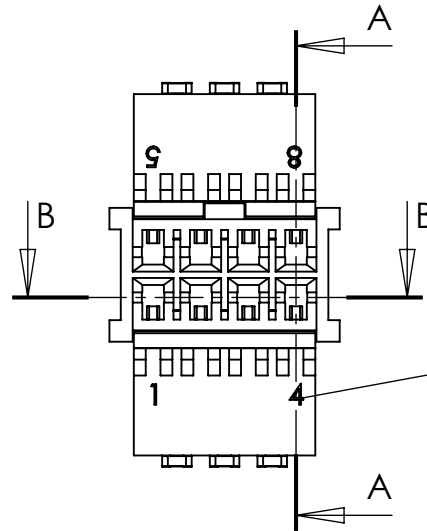


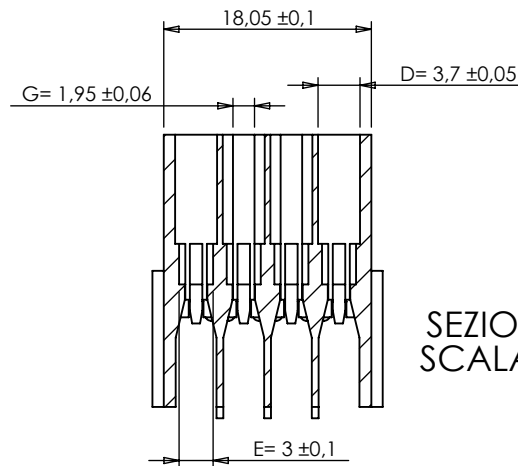
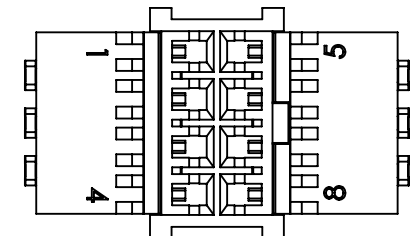
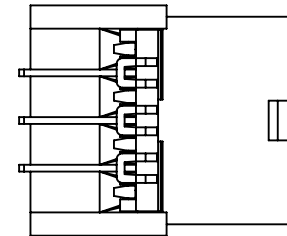
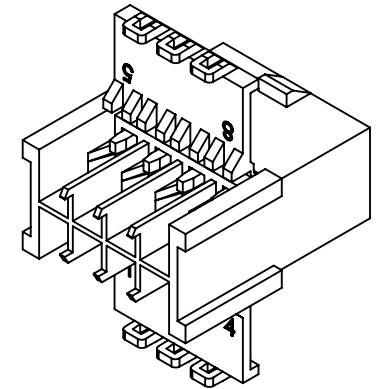
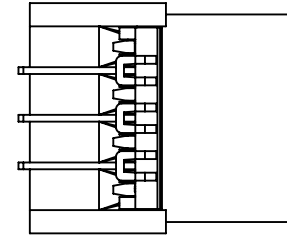
This drawing and all informations contained here can not be used or reproduced, integrally or partially, without written authorization by Colombo Sergio & Figli.



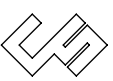
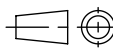
SEZIONE A-A
SCALA 1.5 : 1



Way number in the housing, thickness 0,05 mm



SEZIONE B-B
SCALA 1.5 : 1

INDEX	MODIFICATION	DATE
 COLOMBO SERGIO e Figli S.r.l. 20063 CERNUSCO S/N - VIA COMO, 11 TEL +39.02.9210.7404 - FAX +39.02.9210.0217 http://www.cscolombo.com - e-mail: info@cscolombo.com		
CHECKED BY Stefano Galimberti		DATE 18-04-2012
DRAWN BY Stefano Querzoli		DATE 18-04-2012
SCALE	CAD REFER	SIZE
1.5:1	Y:\dis\cs\mft\mftxxf\mftxxfa\tavole\	A4
INDEX 0	DESCRIPTION	
18-04-2012	MFT FEMALE CONNECTOR FOR PANEL, 4X2 POLES	

DIMENSIONS WITHOUT TOLERANCES		CS-MFT42F	PA66 UL94 V-2
$\angle \pm 2^\circ$	0 - 6	±0.1	CS-MFT42FV0
	6 - 30	±0.2	CS-MFT42FV0750NF
	> 30	±0.3	CS-MFT42F-G
	PART NUMBER		MATERIAL
	CS-MFT42FV0		PA66 UL94 V-0
	CS-MFT42FV0750NF		PA66 UL94 V-0 GWIT 775
	CS-MFT42F-G		PA6 UL94 V-2 GWIT 775

E

D

C

B

A

1

2

3

4

1

2

3

4