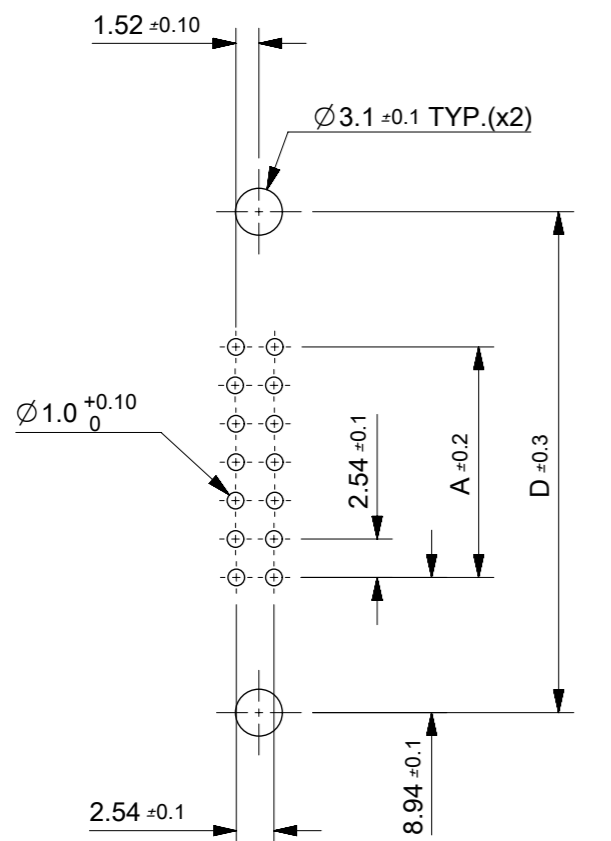


- NOTES:
1. FOR MATERIAL SPECIFICATION SEE NOTE 1. ON SHEET 2.
 2. FOR RECOMMENDED P.C.B. HOLE PATTERN, PART NO'S AND UNSTATED DIMENSIONS SEE SHEET 2.
 3. PRODUCT SPEC. NO: PS-99020-0015
 4. THIS RIB IS NOT PRESENT ON 10 & 14 CKT PARTS.

| | | | | | | | | | |
|---|--|---------|--|--|--|-----------------|--|----------------------------|--|
| THIS DRAWING CONTAINS INFORMATION THAT IS PROPRIETARY TO MOLEX ELECTRONIC TECHNOLOGIES, LLC AND SHOULD NOT BE USED WITHOUT WRITTEN PERMISSION | | | | | | | | | |
| DIMENSION UNITS | | SCALE | | CURRENT REV DESC: OBSOLETE PART NO. | | | | | |
| mm | | 2:1 | | <p style="text-align: center;">molex</p> <p style="text-align: center;">QF50 SRD HDR VT W/ELV</p> <p style="text-align: center;">PRODUCT CUSTOMER DRAWING</p> | | | | | |
| GENERAL TOLERANCES (UNLESS SPECIFIED) | | | | | | | | | |
| ANGULAR TOL ± 2.0° | | | | | | | | | |
| 4 PLACES ± | | | | | | | | | |
| 3 PLACES ± | | | | | | | | | |
| 2 PLACES ± 0.2 | | | | | | | | | |
| 1 PLACE ± 0.2 | | | | EC NO: 631031 | | 2019/12/23 | | DOCUMENT NUMBER | |
| 0 PLACES ± | | | | DRWN: RPRABHUM | | 2020/02/06 | | SDA-90663E | |
| DRAFT WHERE APPLICABLE MUST REMAIN WITHIN DIMENSIONS | | | | APPR: GGA | | 2020/02/06 | | DOC TYPE DOC PART REVISION | |
| THIRD ANGLE PROJECTION | | DRAWING | | SERIES | | MATERIAL NUMBER | | CUSTOMER | |
| A3-SIZE | | 90663 | | 90663 | | SEE CHART | | GENERAL MARKET | |
| SHEET NUMBER | | 1 OF 6 | | | | | | | |

| | | | | | | | |
|-------|-------|-------|-------|--------|-------------------------|-------------------------|----------------|
| 78.74 | 86.34 | 90.52 | 96.62 | 100.74 | 90663-1641 | 90663-1642 | 64 |
| 73.66 | 81.26 | 85.44 | 91.54 | 95.66 | ↑ -1601 | ↑ -1602 | 60 |
| 60.96 | 68.56 | 72.74 | 78.84 | 82.96 | ↑ -1501 | ↑ -1502 | 50 |
| 48.26 | 55.86 | 60.04 | 66.14 | 70.26 | ↑ -1401 | ↑ -1402 | 40 |
| 40.64 | 48.24 | 52.42 | 58.52 | 62.64 | ↑ -1341 | ↑ -1342 | 34 |
| 35.56 | 43.16 | 47.34 | 53.44 | 57.56 | ↑ -1301 | ↑ -1302 | 30 |
| 30.48 | 38.08 | 42.26 | 48.36 | 52.48 | ↑ -1261 | ↑ -1262 | 26 |
| 22.86 | 30.46 | 34.64 | 40.74 | 44.86 | ↑ -1201 | ↑ -1202 | 20 |
| 17.78 | 25.38 | 29.56 | 35.66 | 39.78 | ↓ -1161 | ↓ -1162 | 16 |
| 15.24 | 22.84 | 27.02 | 33.12 | 37.24 | ↓ -1141 | ↓ -1142 | 14 |
| 10.16 | 17.76 | 21.94 | 28.04 | 32.16 | 90663-1101 | 90663-1102 | 10 |
| A | B | C | D | E | ENG. NO. GS1 PLATING | ENG. NO. GS2 PLATING | NO. OF CKTS |

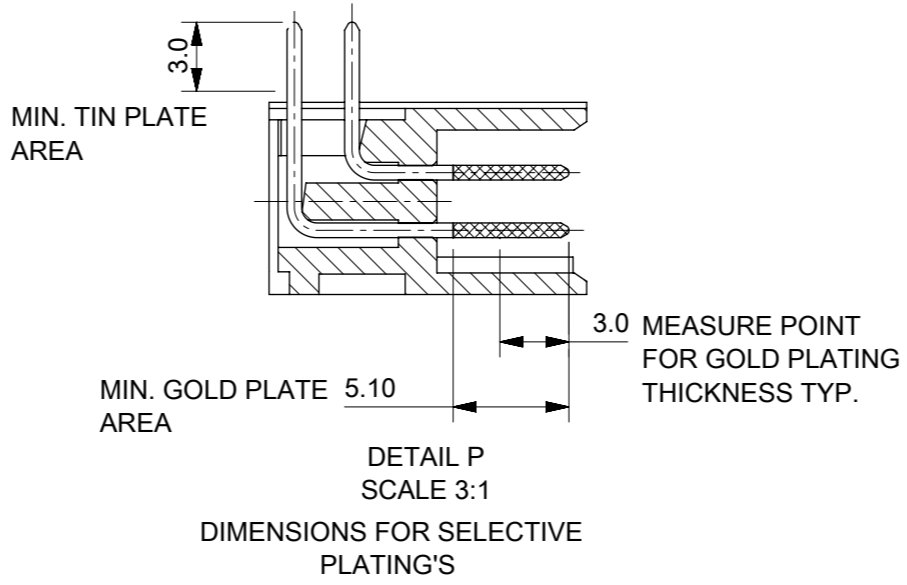
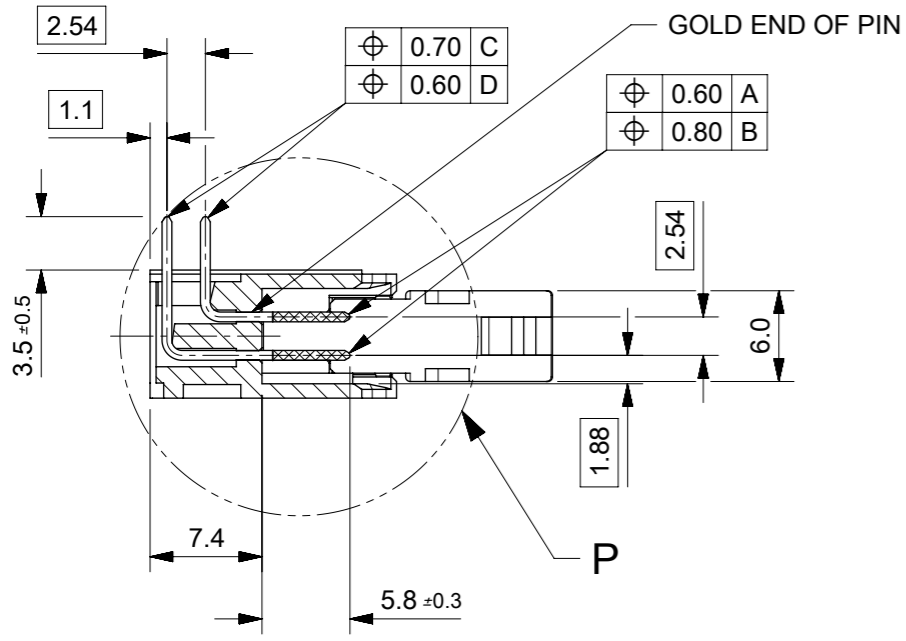
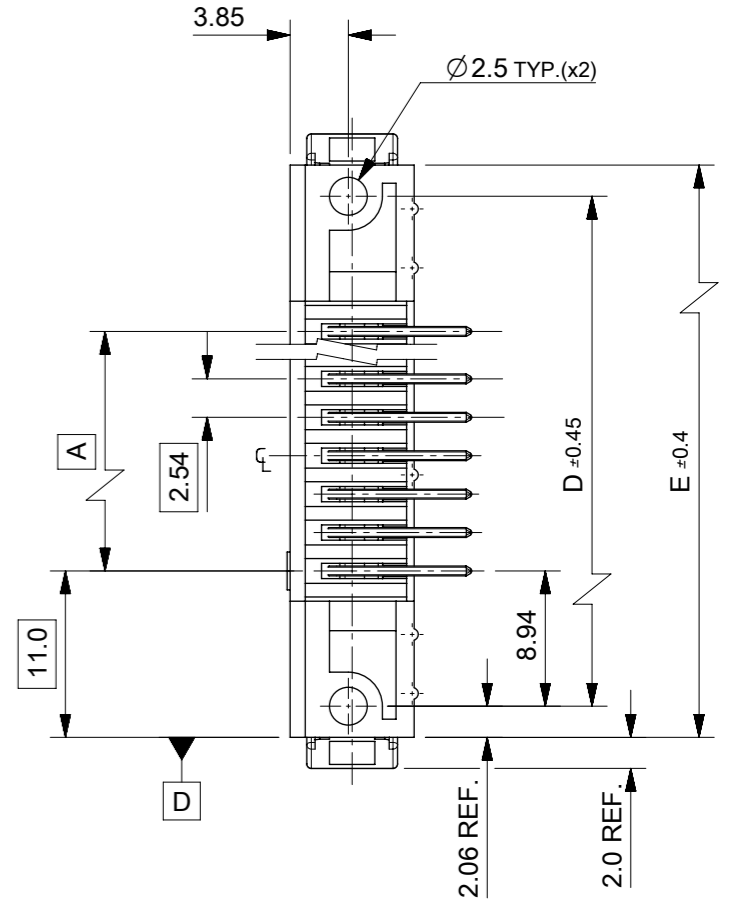
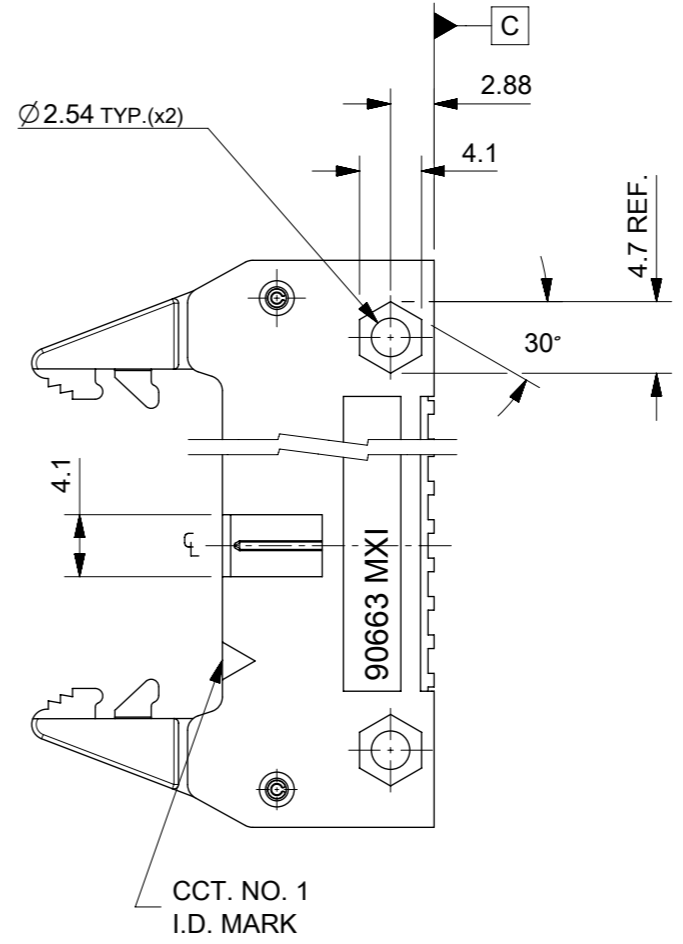
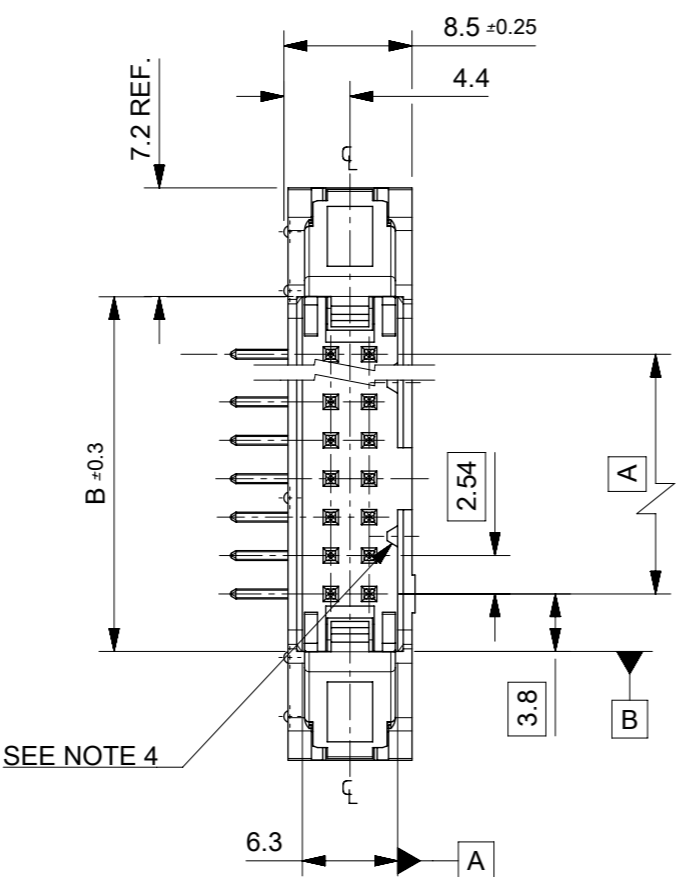
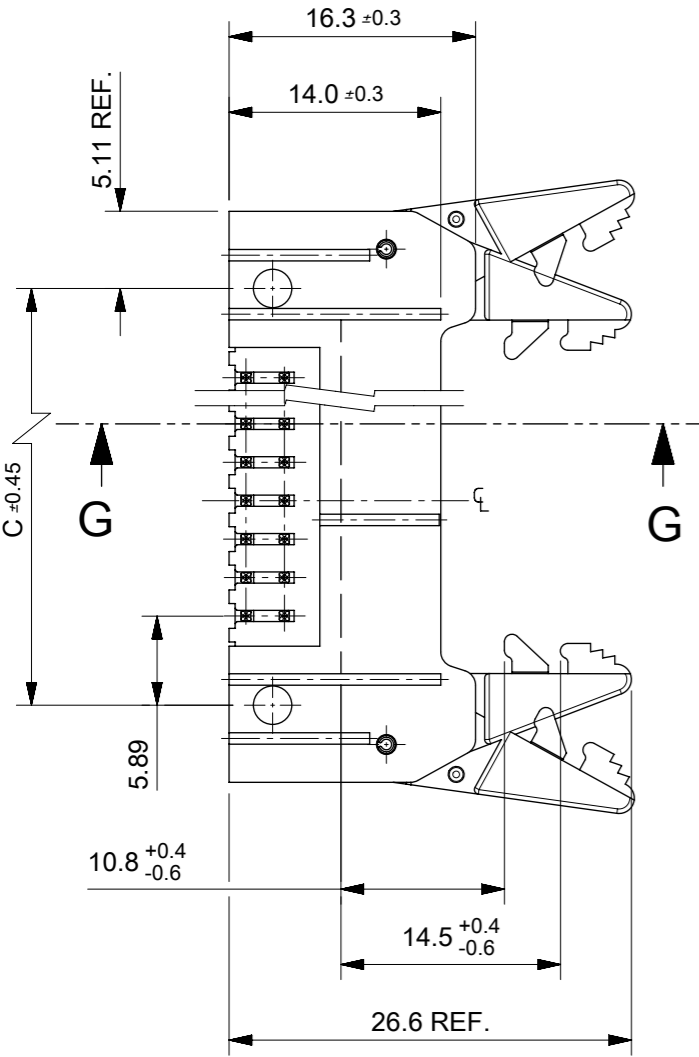


RECOMMENDED P.C.B. HOLE PATTERN

NOTES:

- MATERIAL: GLASS FILLED POLYESTER (UL 94 V0), COLOUR-BLACK.
PINS: BRASS SIZE 0.635.
LEVER: GLASS FILLED POLYESTER(UL 94 V0), COLOUR-BLACK.
- PLATING OPTIONS.
90663-1**1, 1µm MIN. NICKEL UNDERPLATE. CONTACT AREA GS1 PLATING 0.1µ MIN. GOLD. SOLDER AREA 3µm MIN.TIN.
90663-1**2, 1µm MIN. NICKEL UNDERPLATE. CONTACT AREA GS2 PLATING 0.76µ MIN. GOLD. SOLDER AREA 3µm MIN.TIN.
90663-1**3, 1µm MIN. NICKEL UNDERPLATE. CONTACT AREA GS3 PLATING 0.25µ MIN. GOLD. SOLDER AREA 3µm MIN.TIN.
- RECOMMENDED PCB THICKNESS 1.6mm

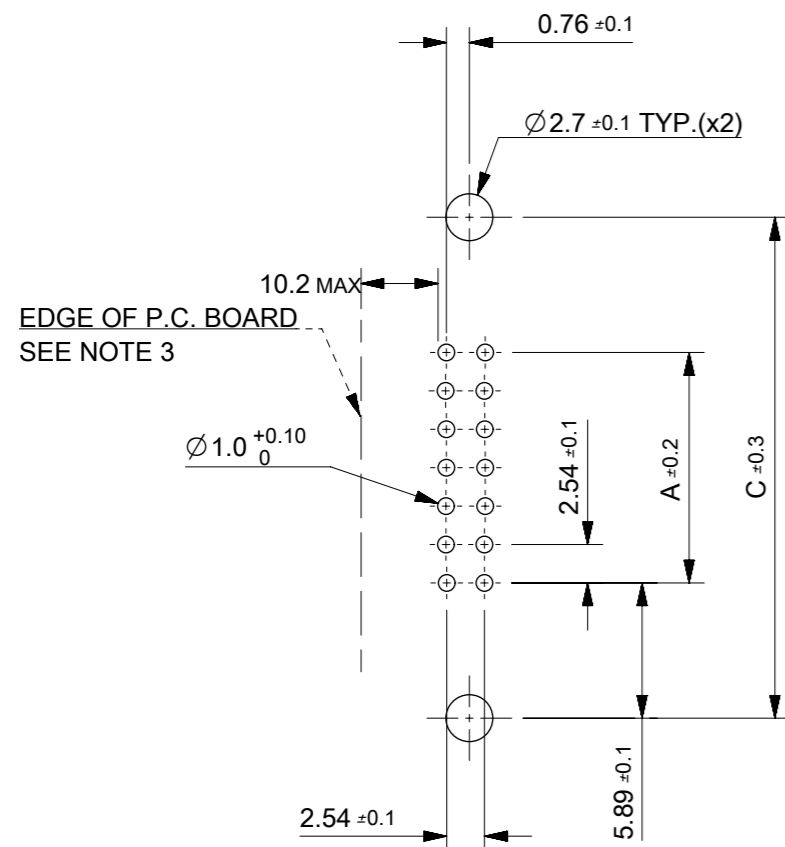
| | | | | | | | | | |
|---|--------|-------------------------------------|---------|--------|--------------------------|----------------|--------------|--|--|
| THIS DRAWING CONTAINS INFORMATION THAT IS PROPRIETARY TO MOLEX ELECTRONIC TECHNOLOGIES, LLC AND SHOULD NOT BE USED WITHOUT WRITTEN PERMISSION | | | | | | | | | |
| DIMENSION UNITS | SCALE | CURRENT REV DESC: OBSOLETE PART NO. | | | | | | | |
| mm | 2:1 | | | | | | | | |
| GENERAL TOLERANCES (UNLESS SPECIFIED) | | EC NO: 631031 | | | QF50 SRD HDR VT W/ELV | | | | |
| ANGULAR TOL | ± 2.0° | DRWN: RPRABHUM 2019/12/23 | | | PRODUCT CUSTOMER DRAWING | | | | |
| 4 PLACES | ± | CHK'D: GGA 2020/02/06 | | | DOCUMENT NUMBER | | | | |
| 3 PLACES | ± | APPR: GGA 2020/02/06 | | | SDA-90663E | | | | |
| 2 PLACES | ± 0.2 | INITIAL REVISION: | | | DOC TYPE | | | | |
| 1 PLACE | ± 0.2 | DRWN: POB 1990/08/03 | | | DOC PART | | | | |
| 0 PLACES | ± | APPR: JDENNEHY 2004/11/24 | | | REVISION | | | | |
| DRAFT WHERE APPLICABLE MUST REMAIN WITHIN DIMENSIONS | | THIRD ANGLE PROJECTION | DRAWING | SERIES | MATERIAL NUMBER | CUSTOMER | SHEET NUMBER | | |
| | | | A3-SIZE | 90663 | SEE CHART | GENERAL MARKET | 2 OF 6 | | |



- NOTES:
1. FOR MATERIAL SPECIFICATION SEE NOTE 1. ON SHEET 4.
 2. FOR RECOMMENDED P.C.B. HOLE PATTERN, PART NO'S AND UNSTATED DIMENSIONS SEE SHEET 4.
 3. PRODUCT SPEC. NO: PS-99020-0015
 4. THIS RIB IS NOT PRESENT ON 10 & 14 CKT PARTS.

| | | | | | | | | | | | |
|---|--|---------|--|---|--|-----------------|--|----------------|--|--------------|--|
| THIS DRAWING CONTAINS INFORMATION THAT IS PROPRIETARY TO MOLEX ELECTRONIC TECHNOLOGIES, LLC AND SHOULD NOT BE USED WITHOUT WRITTEN PERMISSION | | | | | | | | | | | |
| DIMENSION UNITS | | SCALE | | CURRENT REV DESC: OBSOLETE PART NO. | | | | | | | |
| mm | | 2:1 | | | | | | | | | |
| GENERAL TOLERANCES (UNLESS SPECIFIED) | | | | | | | | | | | |
| ANGULAR TOL ± 2.0° | | | | QF50 SRD HDR VT W/ELV | | | | | | | |
| 4 PLACES ± | | | | EC NO: 631031 DRWN: RPRABHUM 2019/12/23 CHK'D: GGA 2020/02/06 APPR: GGA 2020/02/06 | | | | | | | |
| 3 PLACES ± | | | | PRODUCT CUSTOMER DRAWING | | | | | | | |
| 2 PLACES ± 0.2 | | | | INITIAL REVISION: | | | | | | | |
| 1 PLACE ± 0.2 | | | | DRWN: POB 1990/08/03 APPR: JDENNEHY 2004/11/24 | | | | | | | |
| 0 PLACES ± | | | | DOCUMENT NUMBER | | DOC TYPE | | DOC PART | | REVISION | |
| DRAFT WHERE APPLICABLE MUST REMAIN WITHIN DIMENSIONS | | | | SDA-90663E | | PSD | | 001 | | L | |
| THIRD ANGLE PROJECTION | | DRAWING | | SERIES | | MATERIAL NUMBER | | CUSTOMER | | SHEET NUMBER | |
| | | A3-SIZE | | 90663 | | SEE CHART | | GENERAL MARKET | | 3 OF 6 | |

| | | | | | | | |
|-------|-------|-------|-------|--------|-------------------------|-------------------------|----------------|
| 78.74 | 86.34 | 90.52 | 96.62 | 100.74 | 90663-3641 | 90663-3642 | 64 |
| 73.66 | 81.26 | 85.44 | 91.54 | 95.66 | ↑ -3601 | ↑ -3602 | 60 |
| 60.96 | 68.56 | 72.74 | 78.84 | 82.96 | ↑ -3501 | ↑ -3502 | 50 |
| 48.26 | 55.86 | 60.04 | 66.14 | 70.26 | ↑ -3401 | ↑ -3402 | 40 |
| 40.64 | 48.24 | 52.42 | 58.52 | 62.64 | ↑ -3341 | ↑ -3342 | 34 |
| 35.56 | 43.16 | 47.34 | 53.44 | 57.56 | ↑ -3301 | ↑ -3302 | 30 |
| 30.48 | 38.08 | 42.26 | 48.36 | 52.48 | ↑ -3261 | ↑ -3262 | 26 |
| 22.86 | 30.46 | 34.64 | 40.74 | 44.86 | ↑ -3201 | ↑ -3202 | 20 |
| 17.78 | 25.38 | 29.56 | 35.66 | 39.78 | ↓ -3161 | ↓ -3162 | 16 |
| 15.24 | 22.84 | 27.02 | 33.12 | 37.24 | ↓ -3141 | ↓ -3142 | 14 |
| 10.16 | 17.76 | 21.94 | 28.04 | 32.16 | 90663-3101 | 90663-3102 | 10 |
| A | B | C | D | E | ENG. NO. GS1 PLATING | ENG. NO. GS2 PLATING | NO. OF CKTS |

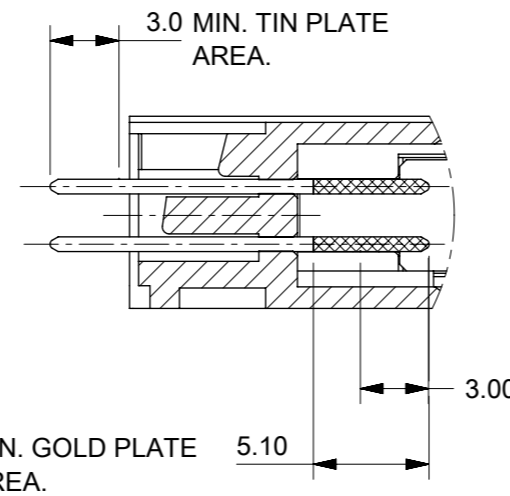
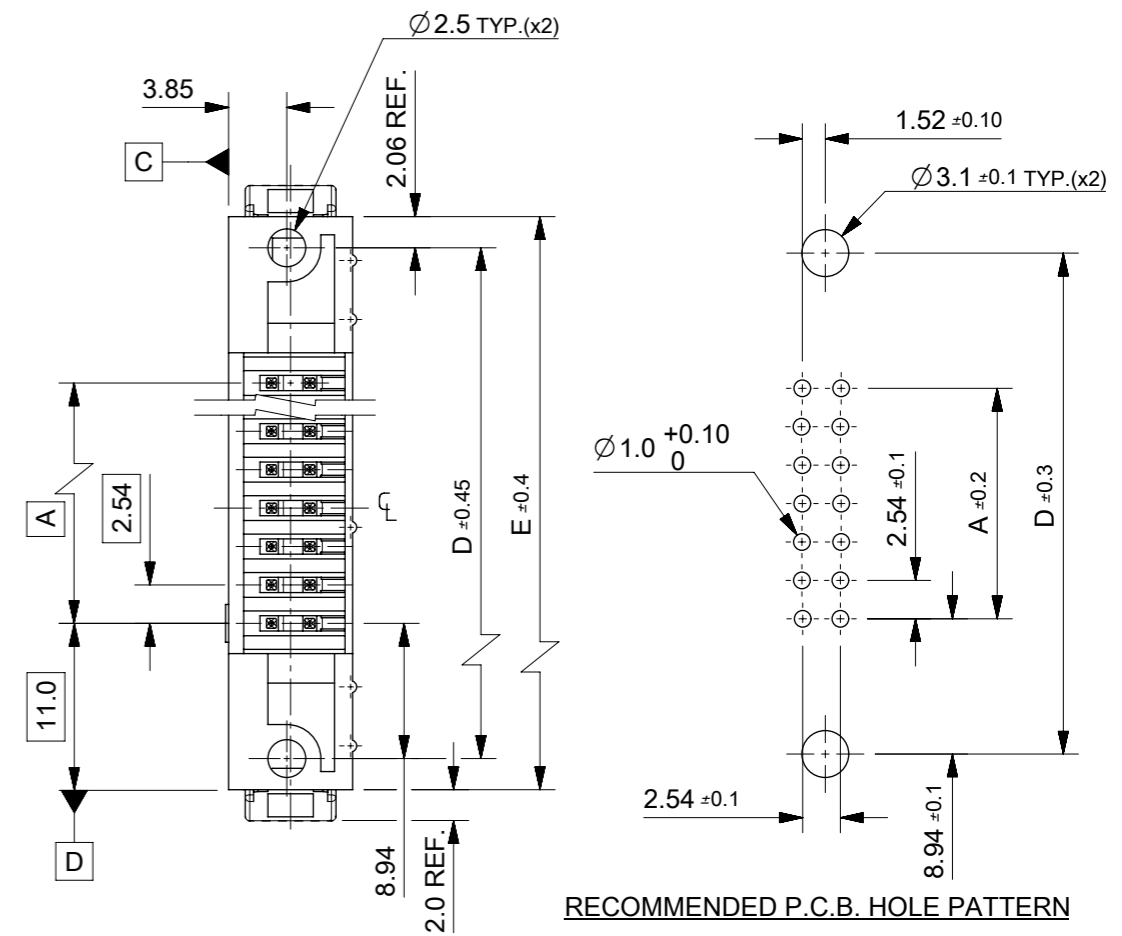
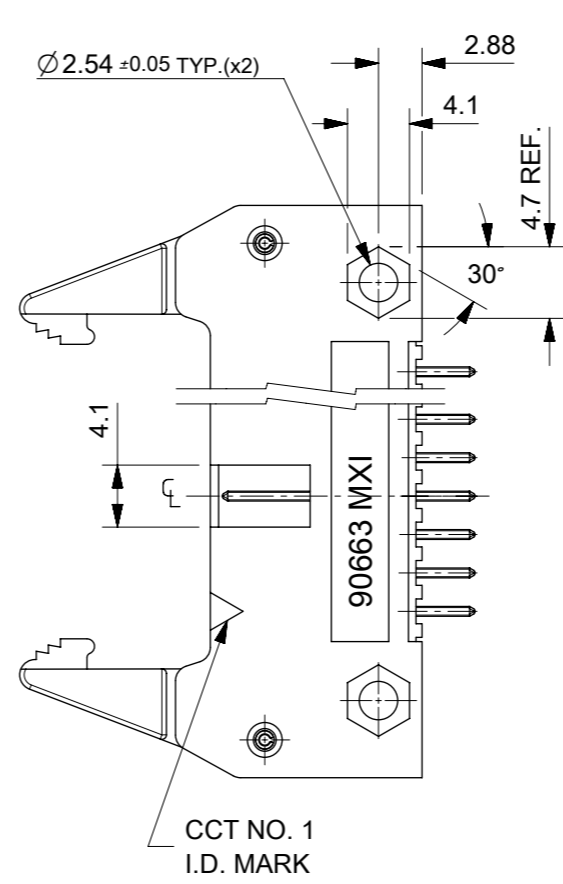
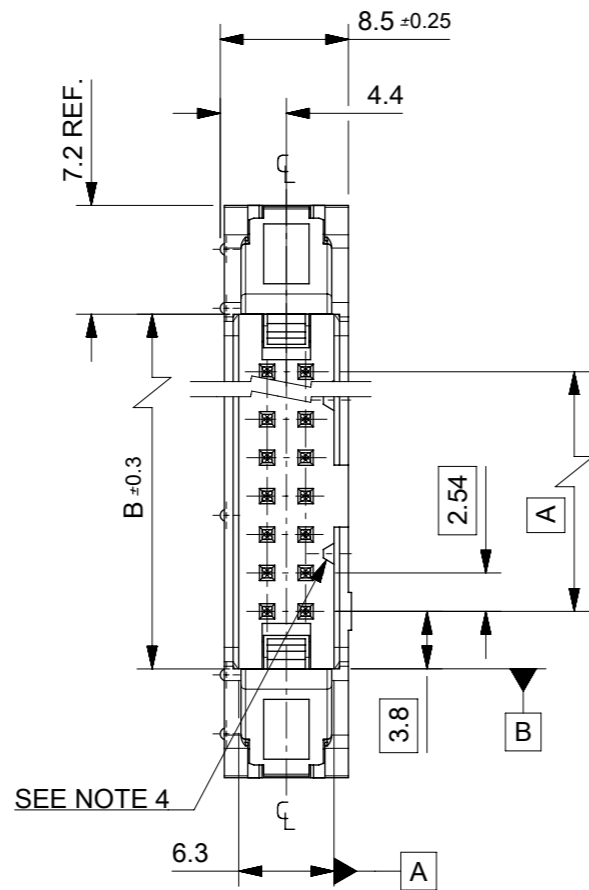
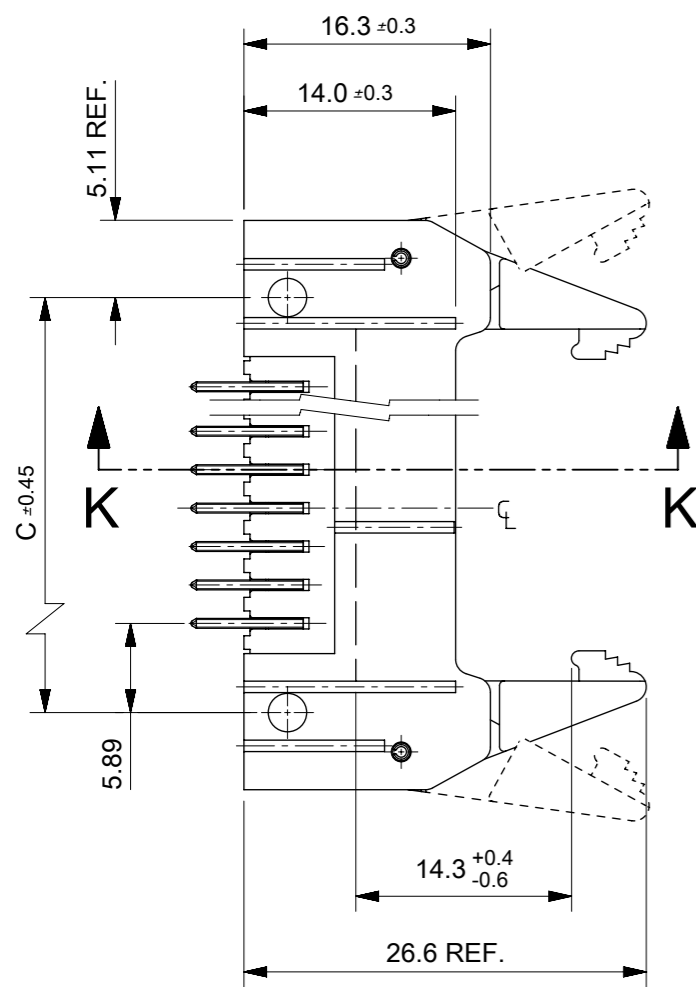


RECOMMENDED P.C.B. HOLE PATTERN

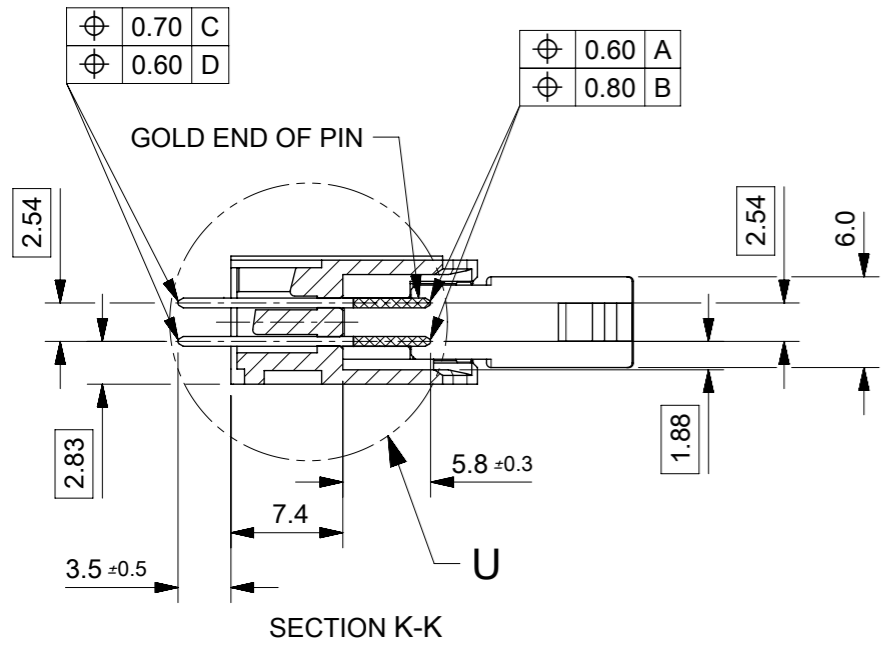
NOTES:

- MATERIAL: GLASS FILLED POLYESTER (UL 94 V0), COLOUR-BLACK.
PINS: BRASS SIZE 0.635.
LEVER: GLASS FILLED POLYESTER (UL 94 V0), COLOUR-BLACK.
SPRING PIN: STEEL
- PLATING OPTIONS.
90663-3**1, 1µm MIN. NICKEL UNDERPLATE. CONTACT AREA GS1 PLATING 0.1µ MIN. GOLD. SOLDER AREA 3µm MIN.TIN.
90663-3**2, 1µm MIN. NICKEL UNDERPLATE. CONTACT AREA GS2 PLATING 0.76µ MIN. GOLD. SOLDER AREA 3µm MIN.TIN.
90663-3**3, 1µm MIN. NICKEL UNDERPLATE. CONTACT AREA GS3 PLATING 0.25µ MIN. GOLD. SOLDER AREA 3µm MIN.TIN.
- 10.2mm MAX. TO EDGE OF PCB DAISY CHAIN APPLICATIONS
- RECOMMENDED PCB THICKNESS 1.6mm

| | | | | | | | | | | |
|---|--------|-------------------------------------|---------|--------|--------------------------|----------------|--|--------------|----------|----------|
| THIS DRAWING CONTAINS INFORMATION THAT IS PROPRIETARY TO MOLEX ELECTRONIC TECHNOLOGIES, LLC AND SHOULD NOT BE USED WITHOUT WRITTEN PERMISSION | | | | | | | | | | |
| DIMENSION UNITS | SCALE | CURRENT REV DESC: OBSOLETE PART NO. | | | | | | | | |
| mm | 2:1 | | | | | | | | | |
| GENERAL TOLERANCES (UNLESS SPECIFIED) | | EC NO: 631031 | | | QF50 SRD HDR VT W/ELV | | | | | |
| ANGULAR TOL | ± 2.0° | DRWN: RPRABHUM 2019/12/23 | | | | | | | | |
| 4 PLACES | ± | CHK'D: GGA 2020/02/06 | | | | | | | | |
| 3 PLACES | ± | APPR: GGA 2020/02/06 | | | PRODUCT CUSTOMER DRAWING | | | | | |
| 2 PLACES | ± 0.2 | INITIAL REVISION: | | | DOCUMENT NUMBER | | | | | |
| 1 PLACE | ± 0.2 | DRWN: POB 1990/08/03 | | | SDA-90663E | | | DOC TYPE | DOC PART | REVISION |
| 0 PLACES | ± | APPR: JDENNEHY 2004/11/24 | | | PSD | | | 001 | L | |
| DRAFT WHERE APPLICABLE MUST REMAIN WITHIN DIMENSIONS | | THIRD ANGLE PROJECTION | DRAWING | SERIES | MATERIAL NUMBER | CUSTOMER | | SHEET NUMBER | | |
| | | | A3-SIZE | 90663 | SEE CHART | GENERAL MARKET | | 4 OF 6 | | |



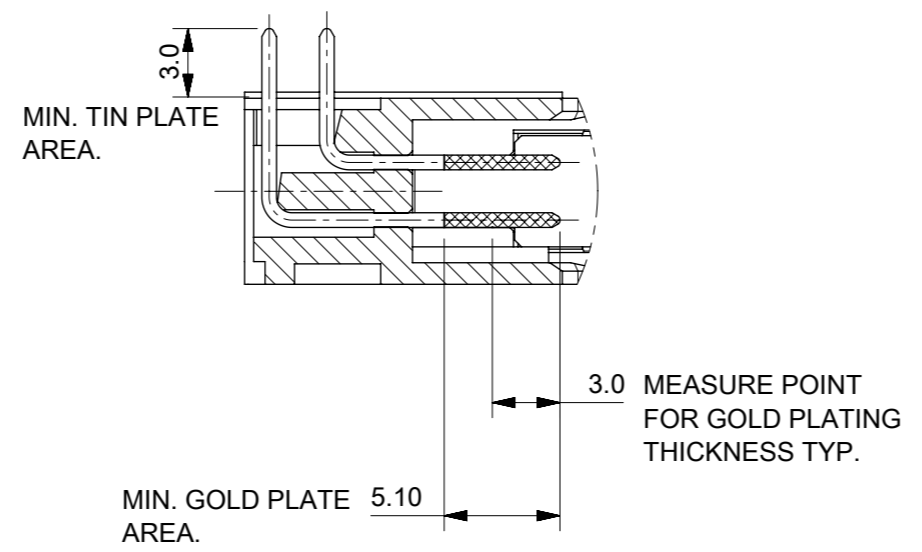
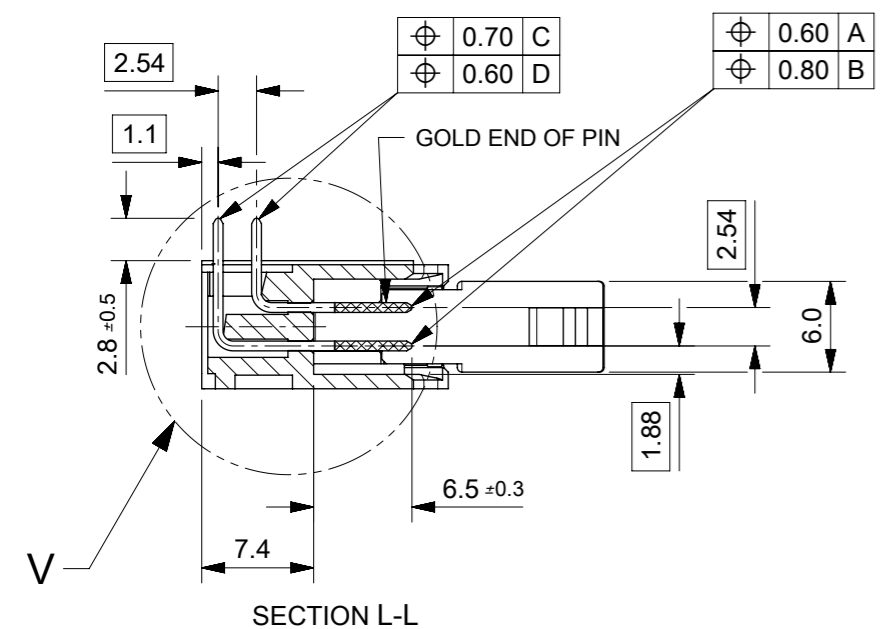
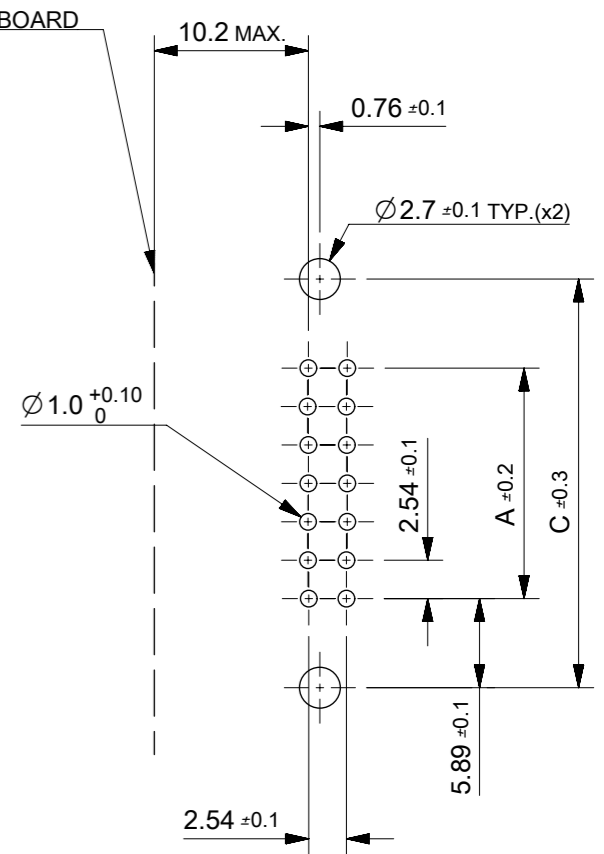
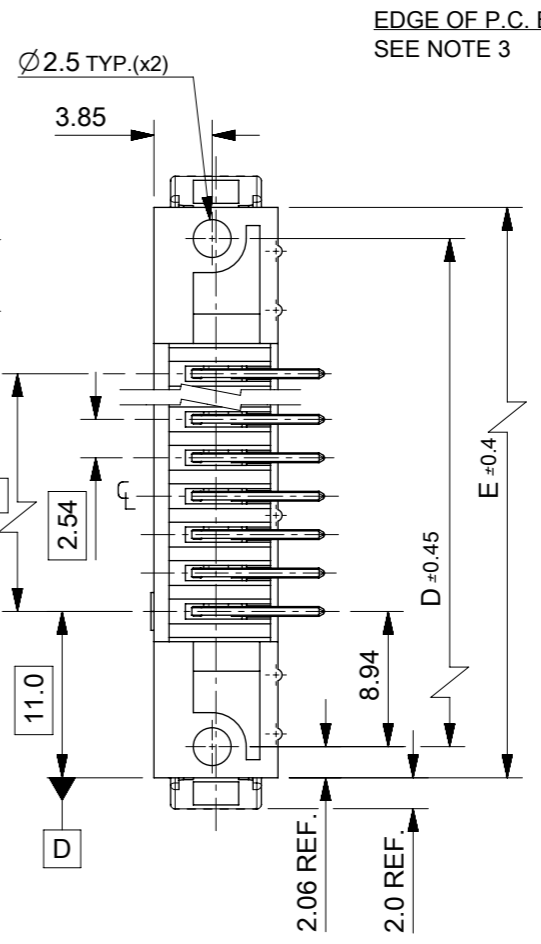
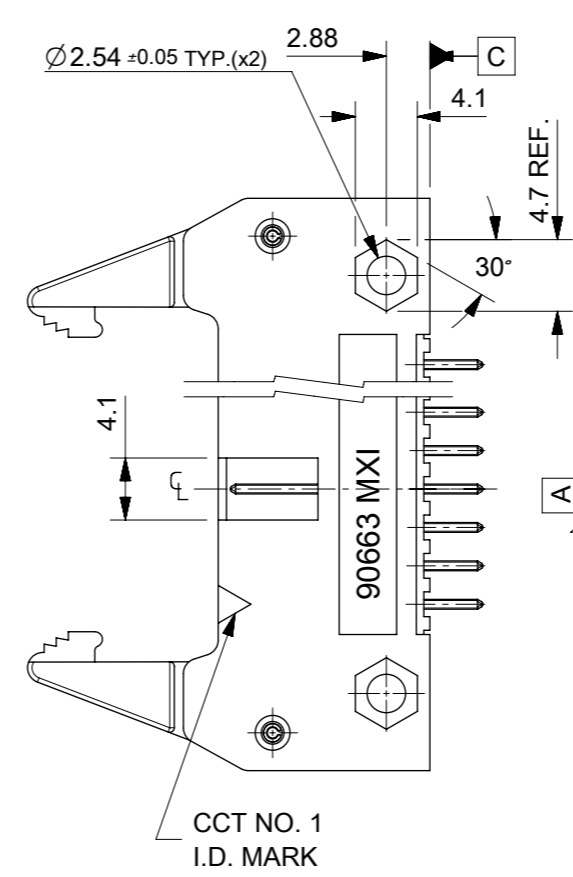
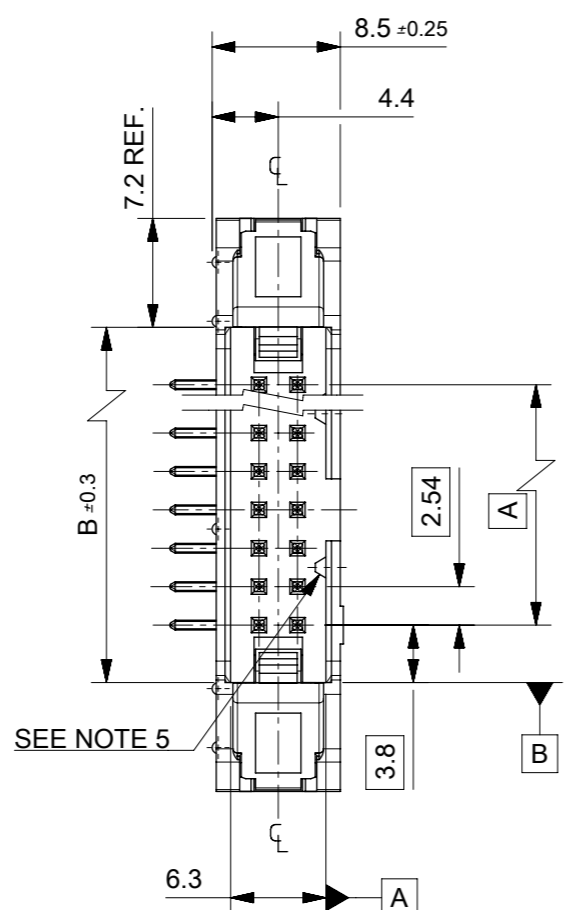
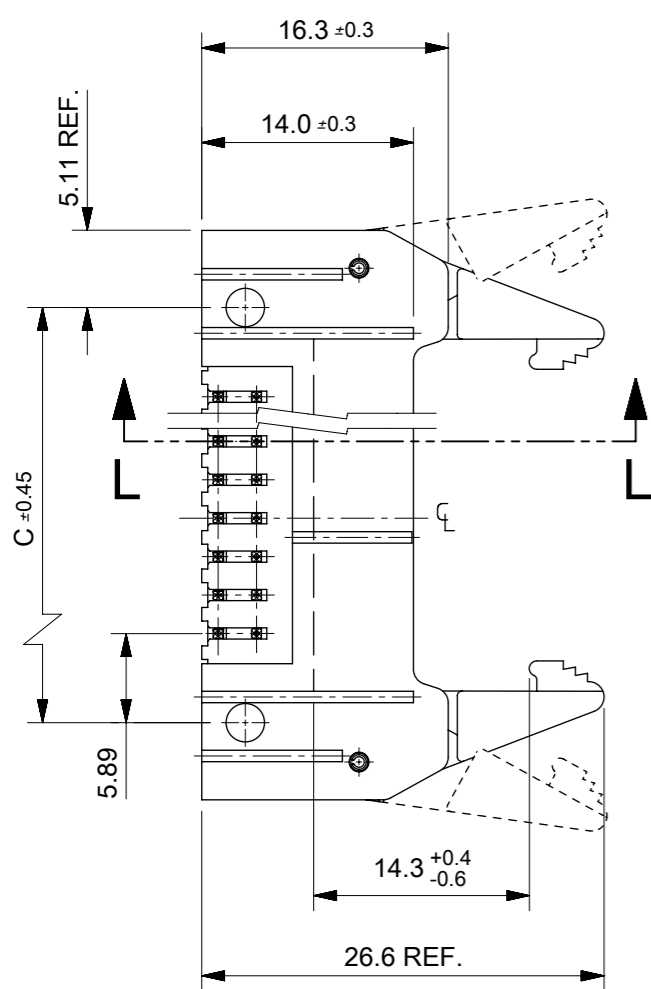
DETAIL U
SCALE 3:1
DIMENSIONS FOR SELECTIVE PLATING'S



- NOTES:**
- MATERIAL**
 HEADER: GLASS FILLED POLYESTER (UL 94 V0), COLOUR-BLACK.
 PINS: COPPER ALLOY SIZE 0.635.
 LEVER: GLASS FILLED POLYESTER (UL 94 V0), COLOUR-BLACK.
 - PLATING**
 90663-5**2, 3µm MIN. NICKEL UNDERPLATE. CONTACT AREA GS2 PLATING 0.76µ MIN. GOLD. SOLDER AREA 3µm MIN. TIN.
 - PRODUCT SPECIFICATION NO.:** PS-99020-0015
 - THIS RIB IS NOT PRESENT ON 14 CKT PARTS.**
 - RECOMMENDED PCB THICKNESS 1.6mm**

| | | | | | | |
|-------|-------|-------|-------|-------|-------------------------|-----------------|
| 40.64 | 48.24 | 52.42 | 58.52 | 62.64 | 90663-5342 | 34 |
| 17.78 | 25.38 | 29.56 | 35.66 | 39.78 | 90663-5162 | 16 |
| 15.24 | 22.84 | 27.02 | 33.12 | 37.24 | 90663-5142 | 14 |
| A | B | C | D | E | ENG. NO. GS2 PLATING | NO. OF CKTS. |

| | | | | | | | |
|---|---------------------|--|-----------|-------------------|----------|----------|--------------|
| THIS DRAWING CONTAINS INFORMATION THAT IS PROPRIETARY TO MOLEX ELECTRONIC TECHNOLOGIES, LLC AND SHOULD NOT BE USED WITHOUT WRITTEN PERMISSION | | | | | | | |
| DIMENSION UNITS mm | SCALE 2:1 | CURRENT REV DESC: OBSOLETE PART NO. | | | | | |
| GENERAL TOLERANCES (UNLESS SPECIFIED) | | molex QF50 SRD HDR VT W/ELV PRODUCT CUSTOMER DRAWING | | | | | |
| ANGULAR TOL | ± 2.0° | | | | | | |
| 4 PLACES | ± | | | | | | |
| 3 PLACES | ± | | | | | | |
| 2 PLACES | ± 0.2 | | | | | | |
| 1 PLACE | ± 0.2 | INITIAL REVISION: | | DOCUMENT NUMBER | DOC TYPE | DOC PART | REVISION |
| 0 PLACES | ± | DRWN: POB 1990/08/03 | | SDA-90663E | PSD | 001 | L |
| DRAFT WHERE APPLICABLE MUST REMAIN WITHIN DIMENSIONS | | APPR: JDENNEHY 2004/11/24 | | | | | |
| THIRD ANGLE PROJECTION | | DRAWING | SERIES | MATERIAL NUMBER | CUSTOMER | | SHEET NUMBER |
| A3-SIZE | | 90663 | SEE CHART | GENERAL MARKET | | 5 OF 6 | |



DETAIL V
SCALE 3:1
DIMENSIONS FOR SELECTIVE PLATING'S

- NOTES:**
- MATERIAL**
HEADER: GLASS FILLED POLYESTER (UL 94 V0), COLOUR-BLACK.
PINS: BRASS SIZE 0.635.
LEVER: GLASS FILLED POLYESTER (UL 94 V0), COLOUR-BLACK.
SPRING PINS: STEEL
 - PLATING**
90663-6**2, 1µm MIN. NICKEL UNDERPLATE. CONTACT AREA GS2 PLATING 0.76µ MIN. GOLD. SOLDER AREA 3µm MIN. TIN.
 - 10.2mm MAX. TO EDGE OF PCB FOR DAISY CHAIN APPLICATIONS.
 - PRODUCT SPECIFICATION NO.: PS-99020-0015
 - THIS RIB IS NOT PRESENT ON 14 CKT PARTS.
 - RECOMMENDED PCB THICKNESS 1.6mm

| | | | | | | |
|-------|-------|-------|-------|-------|--------------------|--------------|
| 15.24 | 22.84 | 27.02 | 33.12 | 37.24 | 90663-6142 | 14 |
| A | B | C | D | E | ENG.NO.GS2 PLATING | NO. OF CKTS. |

THIS DRAWING CONTAINS INFORMATION THAT IS PROPRIETARY TO MOLEX ELECTRONIC TECHNOLOGIES, LLC AND SHOULD NOT BE USED WITHOUT WRITTEN PERMISSION

| | | | | | | |
|--|--------|-------------------------------------|------------|--------------------------|-----------------|----------------|
| DIMENSION UNITS | SCALE | CURRENT REV DESC: OBSOLETE PART NO. | | molex | | |
| mm | 2:1 | | | | | |
| GENERAL TOLERANCES (UNLESS SPECIFIED) | | EC NO: 631031 | | QF50 SRD HDR VT W/ELV | | |
| ANGULAR TOL | ± 2.0° | DRWN: RPRABHUM | 2019/12/23 | PRODUCT CUSTOMER DRAWING | | |
| 4 PLACES | ± | CHK'D: GGA | 2020/02/06 | DOCUMENT NUMBER | | |
| 3 PLACES | ± | APPR: GGA | 2020/02/06 | SDA-90663E | | |
| 2 PLACES | ± 0.2 | INITIAL REVISION: | | DOC TYPE | DOC PART | REVISION |
| 1 PLACE | ± 0.2 | DRWN: POB | 1990/08/03 | PSD | 001 | L |
| 0 PLACES | ± | APPR: JDENNEHY | 2004/11/24 | SHEET NUMBER | | |
| DRAFT WHERE APPLICABLE MUST REMAIN WITHIN DIMENSIONS | | THIRD ANGLE PROJECTION | DRAWING | SERIES | MATERIAL NUMBER | CUSTOMER |
| | | | A3-SIZE | 90663 | SEE CHART | GENERAL MARKET |