



I-7522A(D)/I-7524(D)/I-7527(D)

Addressable RS-485 to RS-232/RS-422/RS-485 Converter

Features

- Built-in "Addressable RS-232 Converter" Firmware
- Responses from RS-232 devices can be addressable
- Supports Dual-Watchdog Commands
- Supports Power-up Value and Safe Value for DO
- Supports Real-time Monitoring/Control for the Onboard DI/DO
- Includes a 1KB Queue Buffer for Each RS-232 Interface
- Watchdog Timer Provides Fault Tolerance and Recovery
- Low Power Consumption
- R.O.C. Invention Patent No. 086674, No.103060, No. 132457
- 3000 V Isolation on the RS-485 Interface



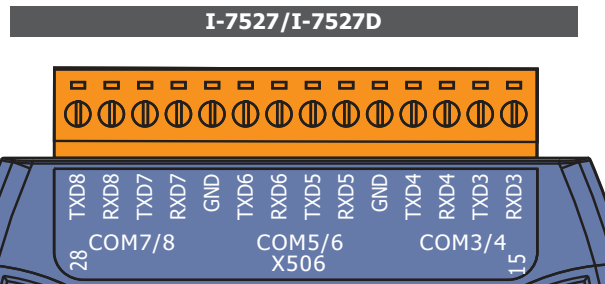
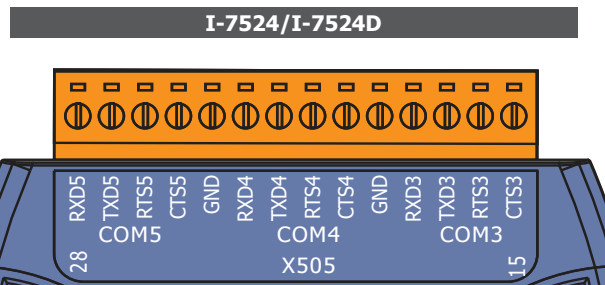
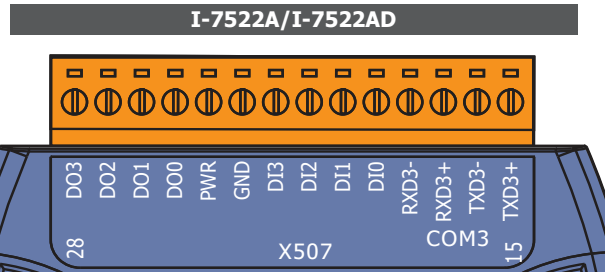
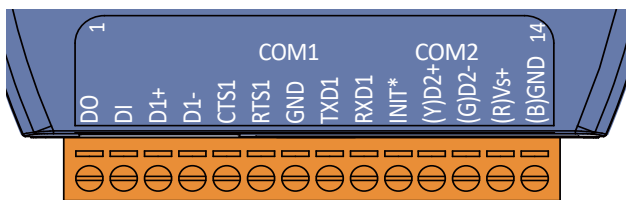
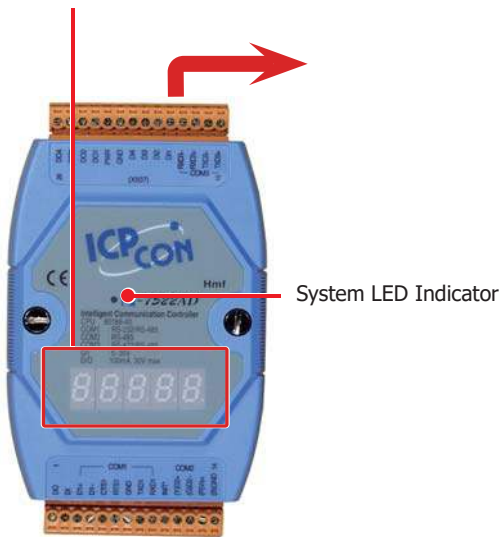
Introduction

Most RS-232 devices don't support device addressing. The ICPDAS I-752n series assigns a unique address to any RS-232 device installed on an RS-485 network. When the Host PC sends a command with a device address to the RS-485 network, the destination I-752n module will remove the address field, and then pass the other commands to its local RS-232 devices. The response from the local RS-232 devices will be returned to the Host PC via the I-752n module.

ICP DAS I-752n products are unique in that they are a Master-type converter that use our R.O.C. Patent 086674, while most other converters are a Slave-type, which cannot operate without a Host PC. In real industrial applications, many users are not satisfied with Slave-type converters as they cannot be adapted to individual requirements.

Appearances

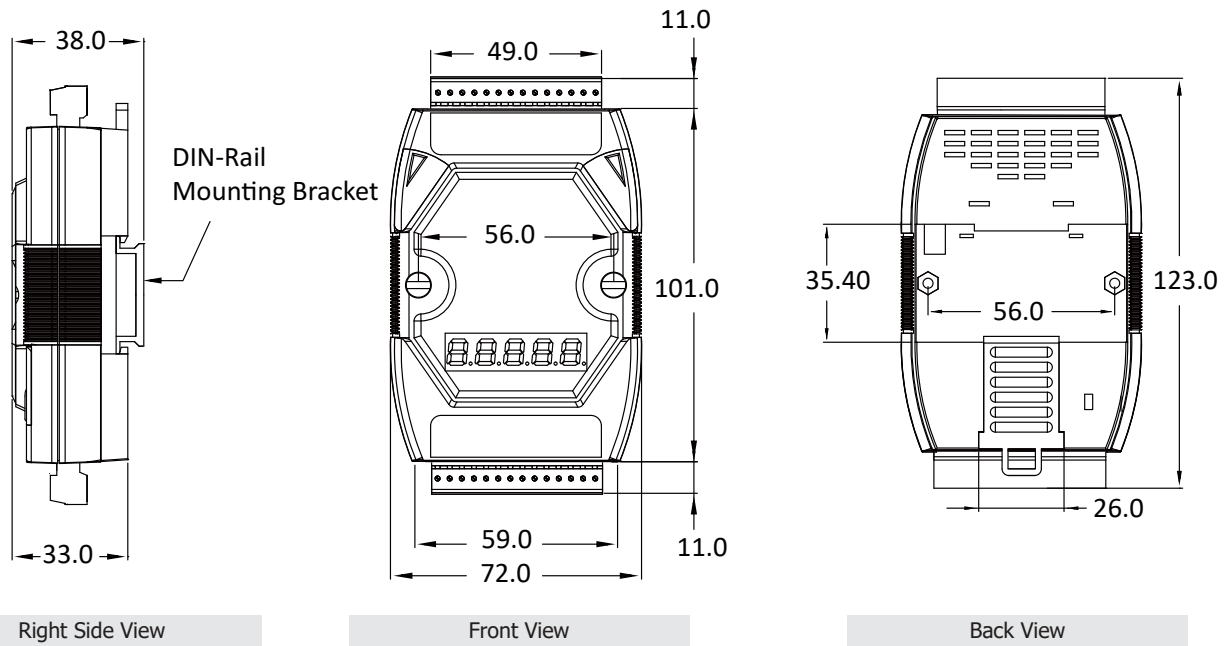
5 x Digit 7 Segment LED Display
(for I-7522AD, I-7524D and I-7527D only)



Specifications

Model	I-7522A	I-7522AD	I-7524	I-7524D	I-7527	I-7527D	
Software							
OS	MiniOS7						
CPU Module							
CPU	80188 or compatible, 40 MHz						
SRAM	256 KB						
Flash	512 KB						
EEPROM	2 KB						
Watchdog Timer	Yes						
Display							
Digit 7 Segment LED Display	-	5	-	5	-	5	
LED Indicator							
Status	1 x System						
Communication Port							
Baud Rate	115200 bps Max.						
COM1	RS-232/RS-485 (RXD, TXD, RTS, CTS, GND for RS-232, Data+, Data- for RS-485 with self-tuner ASIC)						
COM2	RS-485 (Data+, Data-) with internal self-tuner ASIC; 3000 VDC Isolation						
COM3	RS-422/RS-485 (TXD-, RXD-, TXD+, RXD+)	RS-232 (RXD, TXD, RTS, CTS, GND)		RS-232 (RXD, TXD, GND)			
COM4							
COM5							
COM6		-	-				
COM7							
COM8							
Digital Input							
Channels	5		1				
Type	Non-isolated						
Dry Contact, ON Voltage Level	Close to GND						
Dry Contact, OFF Voltage Level	Open						
Digital Output							
Channels	5		1				
Type	Open Collector						
Load Voltage	+30 VDC Max.						
Max. Load Current	100 mA						
Mechanical							
Dimension (W x H x D)	72 mm x 123 mm x 33 mm						
Installation	DIN-Rail Mounting						
Environmental							
Operating Temperature	-25 ~ +75 °C						
Storage Temperature	-40 ~ +80 °C						
Humidity	5 ~ 90 % RH, Non-condensing						
Power							
Input Range	+10 ~ +30 VDC						
Consumption	2.0 W	3.0 W	2.0 W	3.0 W	2.0 W	3.0 W	

■ Dimensions (Units: mm)



■ Ordering Information

I-7522A CR	Addressable RS-485 to 2 x RS-232/RS-422/RS-485 Converter with 5 DI and 5 DO (Blue Cover) (RoHS)
I-7522AD CR	Addressable RS-485 to 2 x RS-232/RS-422/RS-485 Converter with 5 DI, 5 DO and 7-Segment LED Display (Blue Cover) (RoHS)
I-7524 CR	Addressable RS-485 to 4 x RS-232/RS-485 Converter with 1 DI and 1 DO (Blue Cover) (RoHS)
I-7524-G CR	Addressable RS-485 to 4 x RS-232/RS-485 Converter with 1 DI and 1 DO (Gray Cover) (RoHS)
I-7524D CR	Addressable RS-485 to 4 x RS-232/RS-485 Converter with 1 DI, 1 DO and 7-Segment LED Display (Blue Cover) (RoHS)
I-7527 CR	Addressable RS-485 to 7 x RS-232/RS-485 Converter with 1 DI and 1 DO (Blue Cover) (RoHS)
I-7527D CR	Addressable RS-485 to 7 x RS-232/RS-485 Converter with 1 DI, 1 DO and 7-Segment LED Display (Blue Cover) (RoHS)