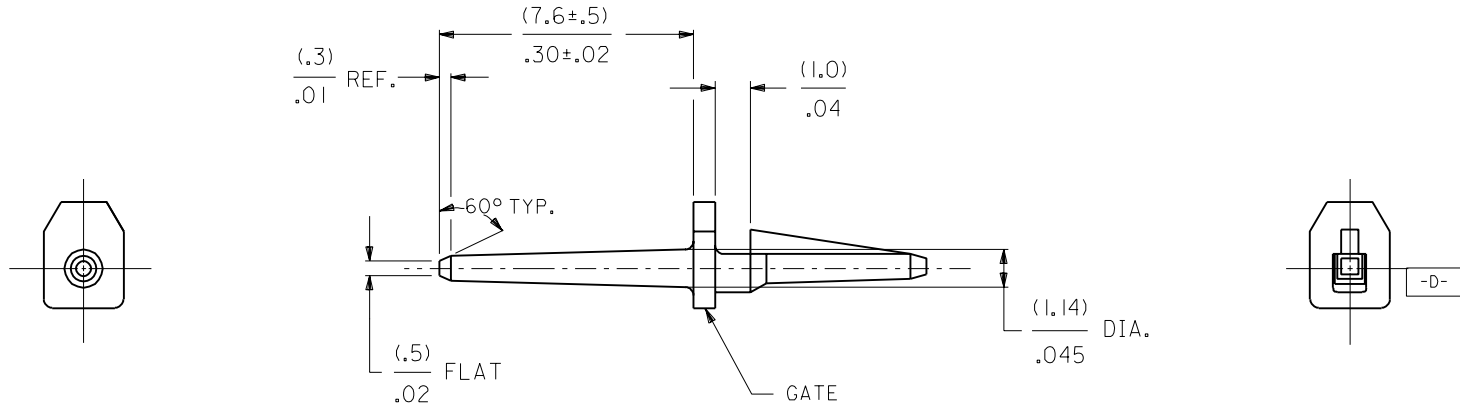


NOTES:

1. RECOMMENDED P.C. BOARD HOLE DIA. (1.50)±.059 MIN.



4161-2
15-04-92 10

---	SEE SHEET 1.....	---	SEE SHEET 1.....
---	SEE SHEET 1.....	---	SEE SHEET 1.....
---	SEE SHEET 1.....	---	SEE SHEET 1.....
---	SEE SHEET 1.....	---	SEE SHEET 1.....
---	SEE SHEET 1.....	---	SEE SHEET 1.....
---	SEE SHEET 1.....	---	SEE SHEET 1.....
LTR.	REVISIONS	LTR.	REVISIONS

DIMENSIONS SHOWN (METRIC) INCH	
UNLESS OTHERWISE SPECIFIED TOLERANCES: ANGULAR ± 1/2°	
	INCH METRIC
3 PLACE	± .010 ---
2 PLACE	± .014 ± .25
1 PLACE	--- ± .36
DRAFT WHERE APPLICABLE MUST REMAIN WITHIN DIMENSIONS	
DRWG. BY	GUZIK
CHK'D. BY	PATEL
APP'D. BY	LENZ
SCALE	:

▽ =	▼ =	REVISE ONLY ON CAD SYSTEM
TITLE		
(POLARIZING PEG) FOR KK (2:54) / 100		
MOLEX	MOLEX INCORPORATED	SHEET NO. 2
LISLE, ILL.	60532 U.S.A.	DATE 10/16/87
PART NO.	DRWG. NO.	SD-4161
FILE NAME S4161X2	THIS DRAWING CONTAINS INFORMATION THAT IS PROPRIETARY TO MOLEX INC. AND SHOULD NOT BE USED WITHOUT WRITTEN PERMISSION	
DIV. KK	SIZE B	