

NOTES

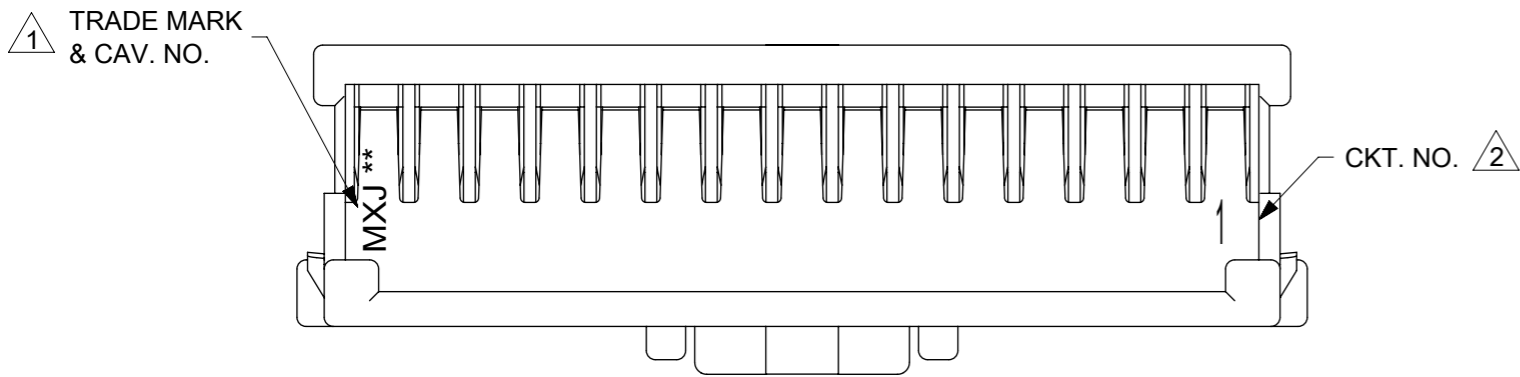
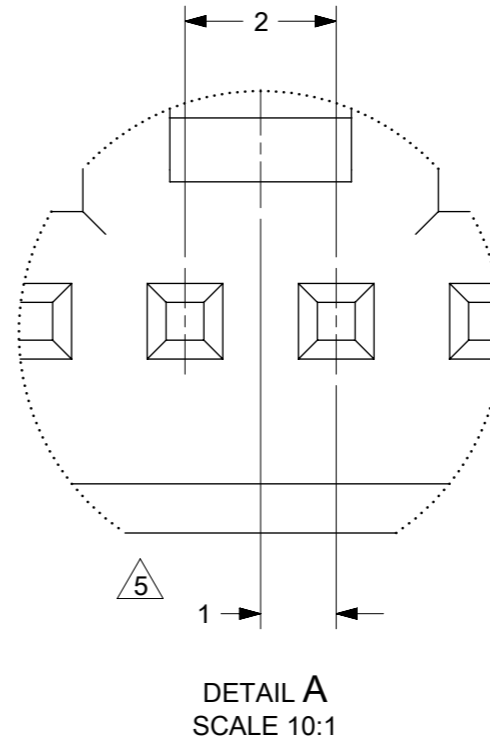
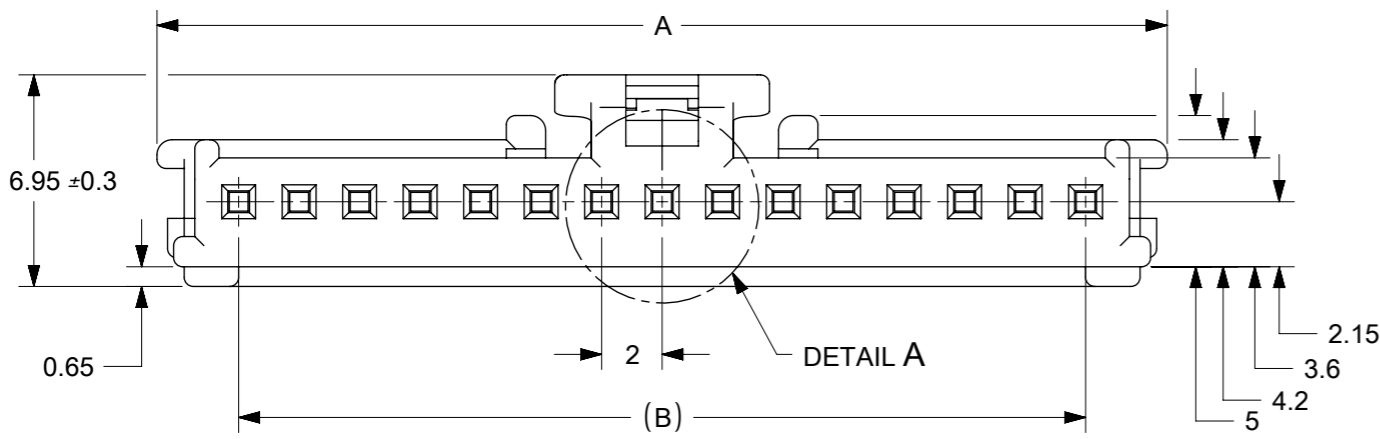
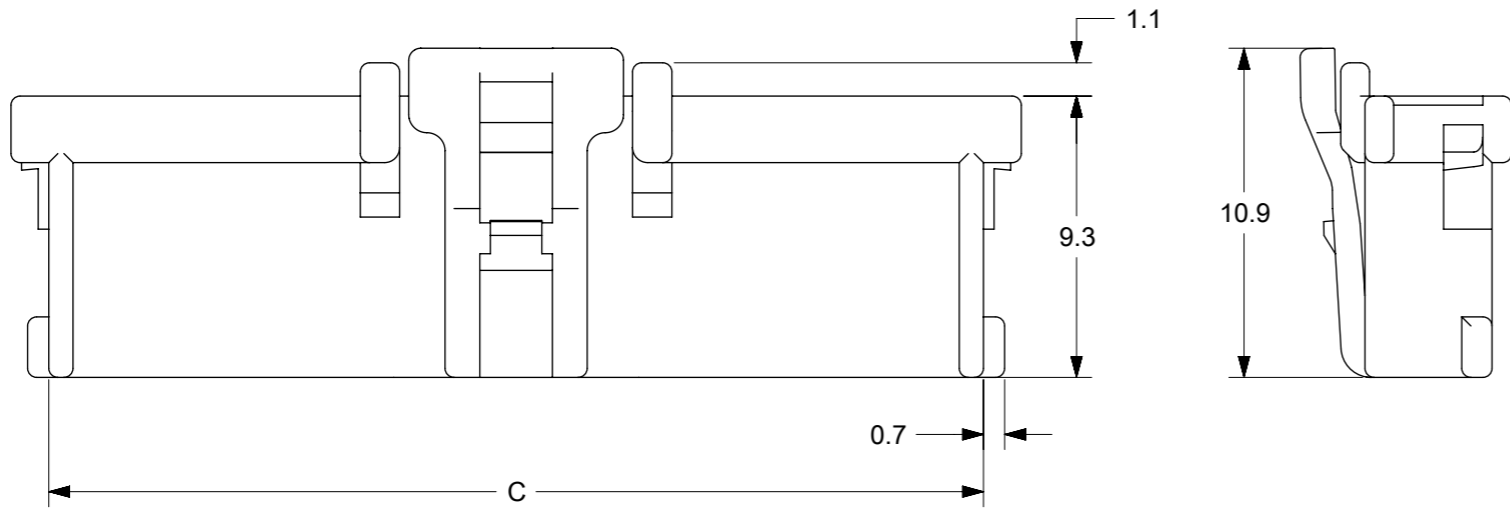
- ① SIZE OF LETTERS 0.7 AND CLEAR.
- ② SIZE OF LETTERS 1 AND CLEAR
- 3. APPLICABLE TERM. : 59370,56134 SERIES.
- ④ MATE WITH : 55932,55935 SERIES.
- 5 APPLY EVEN CIRCUIT
- 6. MATERIAL : 66NYLON, UL94V-0
- 7. MATERIAL NO.

5138- X X X X

CKT      COLOR

NATURAL (WHITE)	00
BLACK	01
RED	02
YELLOW	03
BLUE	04
PINK	05
GREEN	06
BROWN	07
ORANGE	08
VIOLET	09
GRAY	11
FLUORESCENCE YELLOW	13
PALE BLUE	14
① H2 YELLOWISH GREEN VO	16

CKT	MATERIAL NO.	A	B	C
2	51382-02XX	7.4	2	4.6
3	51382-03XX	9.4	4	6.9
4	51382-04XX	11.4	6	8.9
5	51382-05XX	13.4	8	10.9
6	51382-06XX	15.4	10	12.9
7	51382-07XX	17.4	12	14.9
8	51382-08XX	19.4	14	16.9
9	51382-09XX	21.4	16	18.9
10	51382-10XX	23.4	18	20.9
11	51382-11XX	25.4	20	22.9
12	51382-12XX	27.4	22	24.9
13	51382-13XX	29.4	24	26.9
14	51382-14XX	31.4	26	28.9
15	51382-15XX	33.4	28	30.9



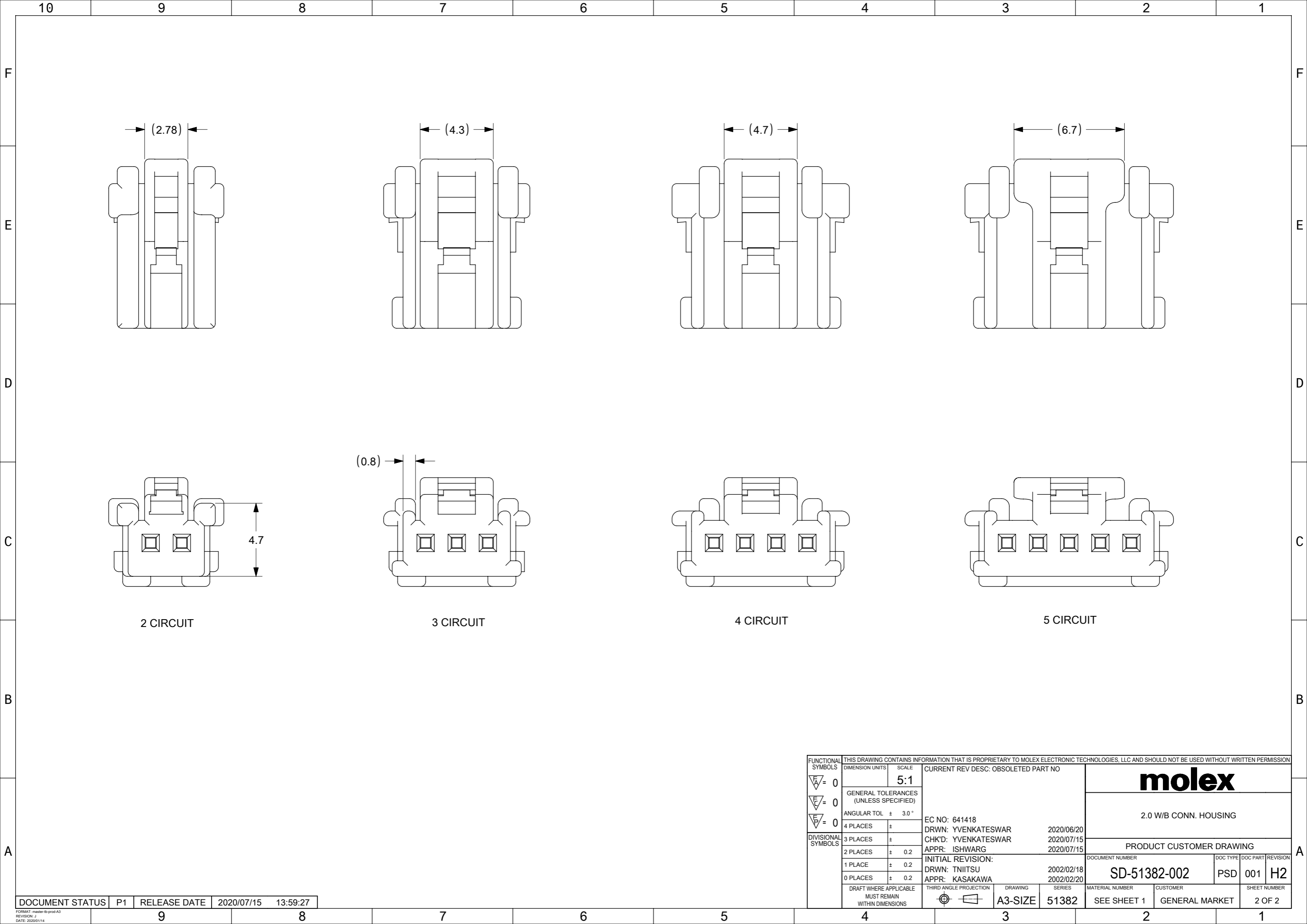
<b>FUNCTIONAL SYMBOLS</b> $\nabla_A = 0$ $\nabla_E = 0$ $\nabla_V = 0$	THIS DRAWING CONTAINS INFORMATION THAT IS PROPRIETARY TO MOLEX ELECTRONIC TECHNOLOGIES, LLC AND SHOULD NOT BE USED WITHOUT WRITTEN PERMISSION	SCALE	CURRENT REV DESC: OBSOLETE PART NO		
	DIMENSION UNITS	4:1			
	GENERAL TOLERANCES (UNLESS SPECIFIED)				
	ANGULAR TOL ± 3.0°				
<b>DIVISIONAL SYMBOLS</b>	4 PLACES ±		EC NO: 641418		
	3 PLACES ±		DRWN: YVENKATESWAR	2020/06/20	
	2 PLACES ± 0.2		CHK'D: YVENKATESWAR	2020/07/15	
	1 PLACE ± 0.2		APPR: ISHWARG	2020/07/15	
0 PLACES ± 0.2		INITIAL REVISION:			
DRAFT WHERE APPLICABLE MUST REMAIN WITHIN DIMENSIONS		THIRD ANGLE PROJECTION	DRWING	SERIES	MATERIAL NUMBER
			A3-SIZE	51382	SEE TABLE
					CUSTOMER
					GENERAL MARKET
					SHEET NUMBER
					1 OF 2

**molex**

2.0 W/B CONN. HOUSING

PRODUCT CUSTOMER DRAWING

DOCUMENT NUMBER: SD-51382-002      DOC TYPE: PSD      DOC PART: 001      REVISION: H2



2 CIRCUIT

3 CIRCUIT

4 CIRCUIT

5 CIRCUIT

FUNCTIONAL SYMBOLS	THIS DRAWING CONTAINS INFORMATION THAT IS PROPRIETARY TO MOLEX ELECTRONIC TECHNOLOGIES, LLC AND SHOULD NOT BE USED WITHOUT WRITTEN PERMISSION		
	DIMENSION UNITS	SCALE	CURRENT REV DESC: OBSOLETE PART NO
$\nabla_A = 0$		5:1	<b>molex</b> 2.0 W/B CONN. HOUSING PRODUCT CUSTOMER DRAWING
$\nabla_F = 0$	GENERAL TOLERANCES (UNLESS SPECIFIED)		
$\nabla_P = 0$	ANGULAR TOL ± 3.0°		
DIVISIONAL SYMBOLS	4 PLACES ±		
	3 PLACES ±		EC NO: 641418
	2 PLACES ± 0.2		DRWN: YVENKATESWAR 2020/06/20
	1 PLACE ± 0.2		CHK'D: YVENKATESWAR 2020/07/15
	0 PLACES ± 0.2		APPR: ISHWARG 2020/07/15
DRAFT WHERE APPLICABLE MUST REMAIN WITHIN DIMENSIONS			INITIAL REVISION:
THIRD ANGLE PROJECTION			DRWN: TNIITSU 2002/02/18
DRAWING			APPR: KASAKAWA 2002/02/20
SERIES			DOCUMENT NUMBER
A3-SIZE			SD-51382-002
MATERIAL NUMBER			DOC TYPE
SEE SHEET 1			PSD
CUSTOMER			DOC PART
GENERAL MARKET			001
SHEET NUMBER			REVISION
2 OF 2			H2