

| | |
|----------|---------------------------|
| MASS (g) | VOLUME (mm ³) |
| 7.7 | 1320 |

ELECTRICAL:

EMI SHIELDING : SHIELDED FOR THE RANGE 55dB UP TO 100MHZ

INSULATION RESISTANCE : >500MΩ PER ANSI-EIA-364-D METHOD 21

MAX. CURRENT RATING : SEE INSULATOR DRAWING

CONNECTOR TESTING VOLTAGE : SEE INSULATOR DRAWING

CONNECTOR WORKING VOLTAGE : SEE INSULATOR DRAWING

ENVIRONMENTAL:

ENDURANCE: 1000 CYCLES AS PER MIL-STD 1344A, METHOD 2016.1

SHOCK: 50 g . DURATION 6 ms; AS PER MIL-STD 1344A, METHOD 2004.1

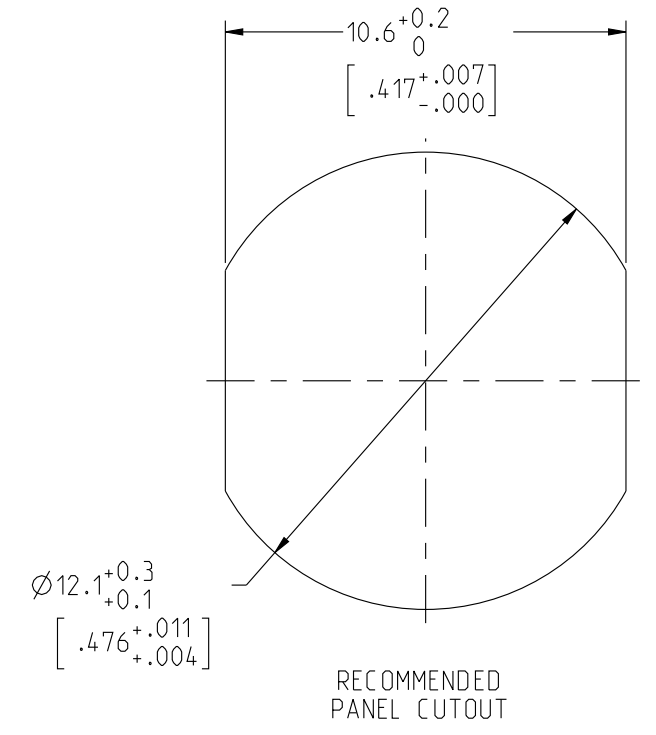
VIBRATIONS: 10 TO 2000Hz g = 15g, AS PER MIL-STD 1344A, METHOD 2005.1

PROTECTION INDEX: IP 40 AS PER CEI 529

ROHS COMPLIANT

SALT MIST : 48Hr PER SAE AS 1344 METHOD 1001.1 CEI 529

OPERATING TEMPERATURE: -55°C TO +125°C (-67°F TO +257°F)



NOTES:

1 RED BAND

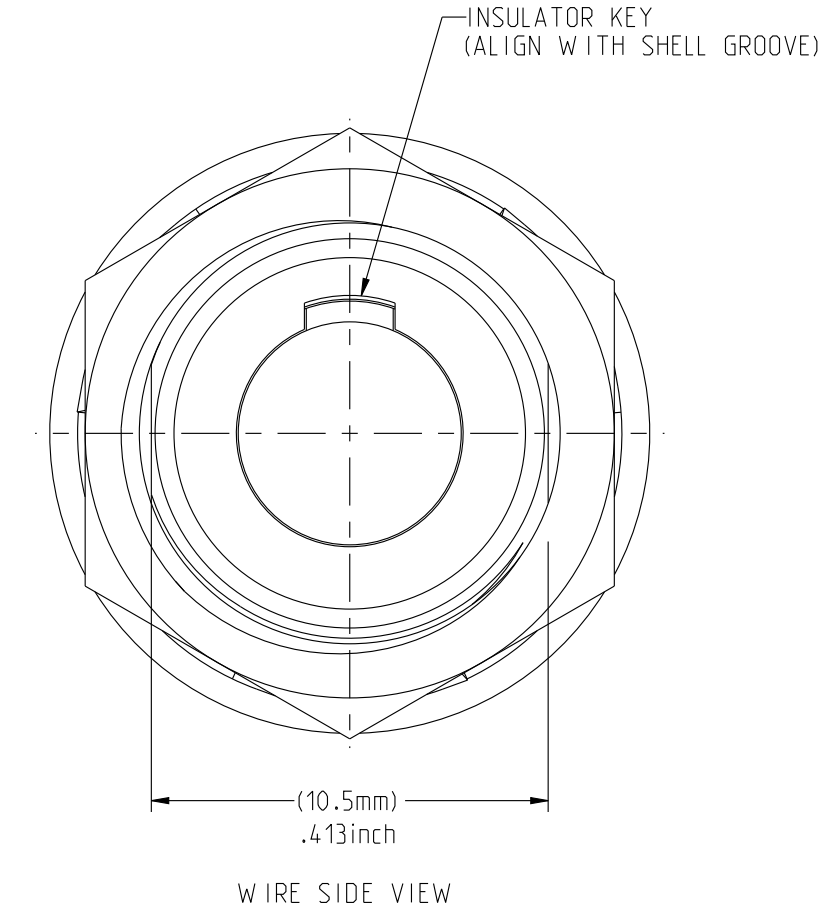
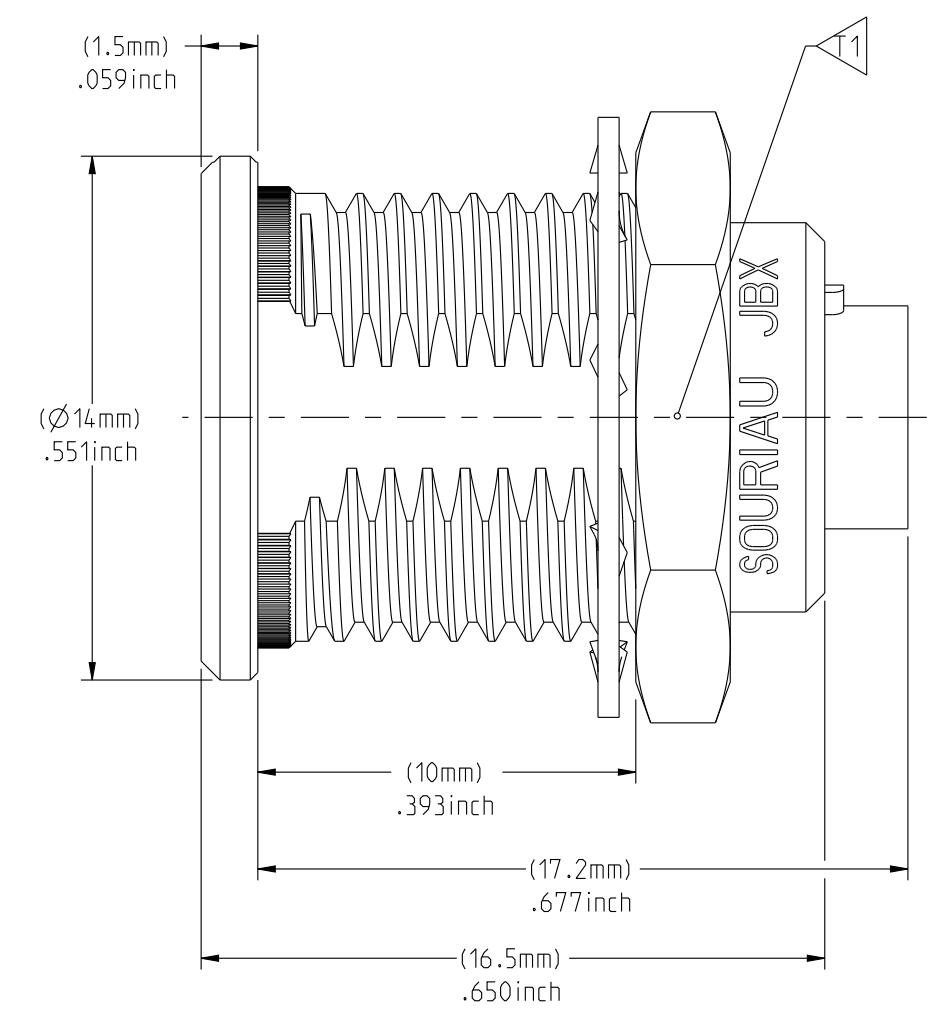
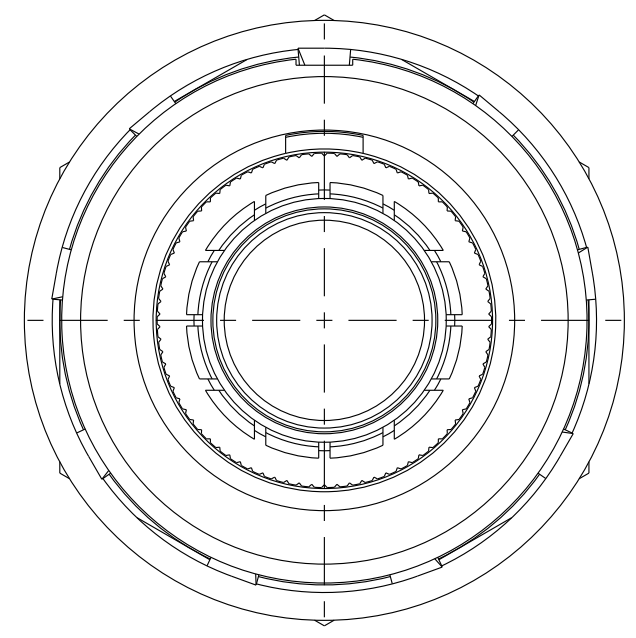
MATERIAL:

OUTER SHELL : } BRASS
SHIELD RING & NUT: }

FINISH:

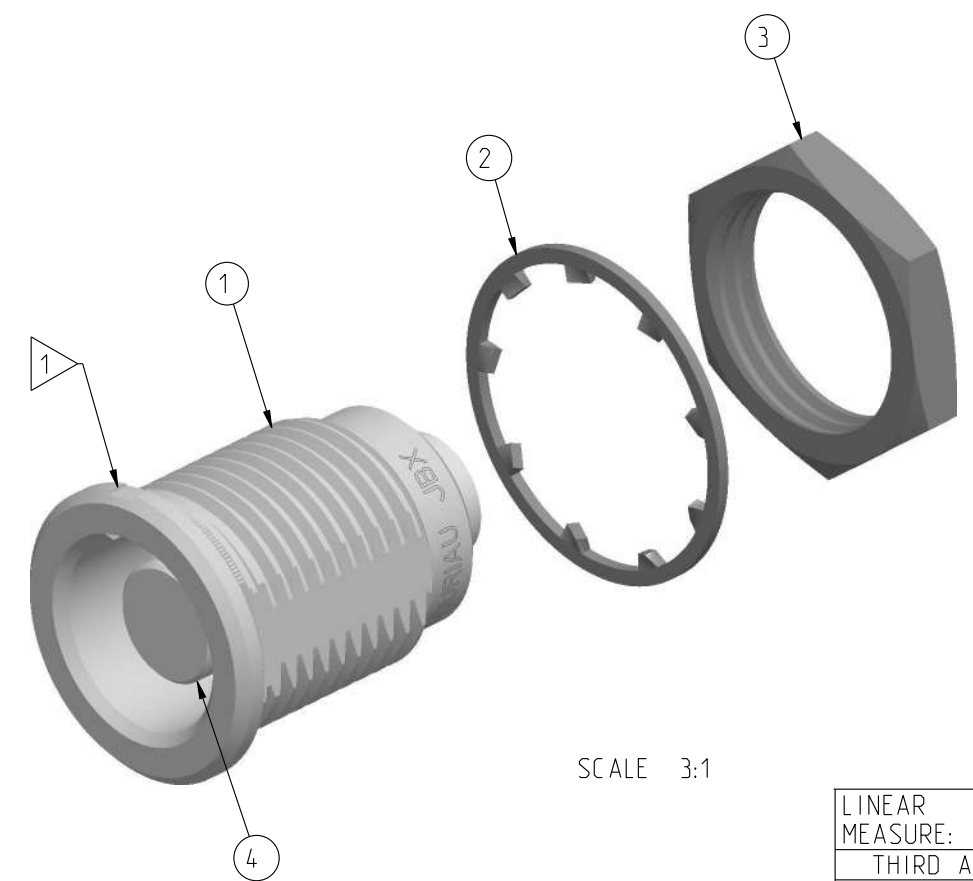
OUTER SHELL: CHROME
OTHER BRASS PARTS : NICKEL

T TOOLS



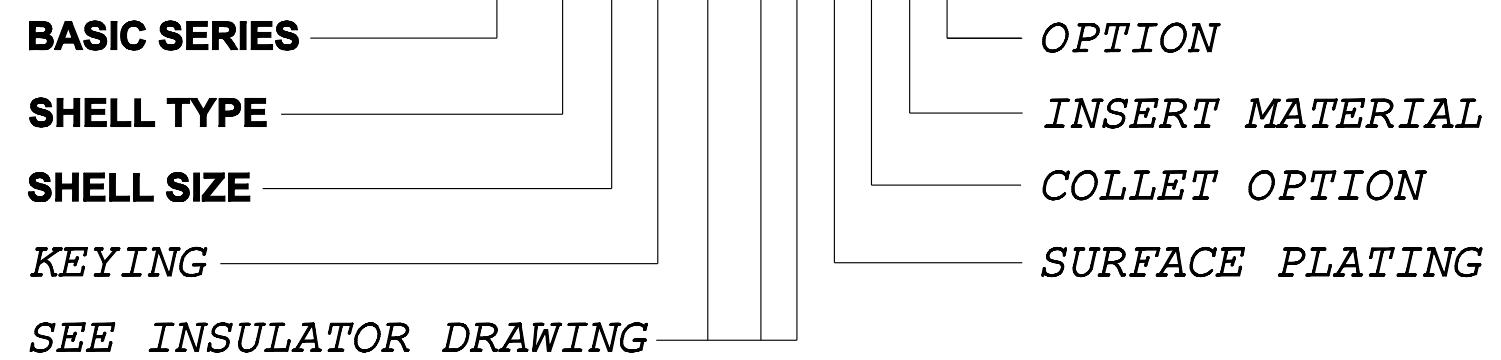
| TOOLS (JAW DIMENSION) | ADVISED TORQUE IN Nm |
|-----------------------|----------------------|
| T1 | 14 |
| | 1.3 |

| PART LIST | |
|-----------|-------------|
| ITEM NO. | DESCRIPTION |
| 1 | SHELL |
| 2 | LOCK WASHER |
| 3 | HEX NUT |
| 4 | INSULATOR |



CATALOG NUMBER DESCRIPTION

JBX ER 1 XXXXXDXR



| ORIGIN | COUNTRY | JURISDICTION | CLASSIFICATION |
|--------|---------|--------------|----------------|
| X | FR | Not listed | N/A |
| | US | EAR | ECCN =EAR99 |

These commodities, technology or software are exported from the United States in accordance with the Export Administration Regulations. Diversion contrary to U.S. law is prohibited.

LINEAR MEASURE: $\frac{mm}{(INCH)}$ $\frac{mm}{(INCH)}$

THIRD ANGLE PROJECTION

TOLERANCES UNLESS OTHERWISE SPECIFIED

| | |
|---------------|--------------|
| No. OF PLACES | mm [INCH] |
| WHOLE No. | ±0.5 [±.02] |
| ONE PLACE | ±0.2 [±.008] |
| TWO PLACES | ±0.1 [±.004] |

ANGLES ±1°

JBX, SIZE 1, FRONT PANEL MOUNTING RECEPTACLE

CAT NO. **JBXER1**

CAGE NO: 09922 SIZE: C

CUSTOMER

INTERPRET THIS DRAWING IN ACCORDANCE WITH ASME Y14.5M - 1994.

SOURIAU

www.souriau.com

| | | |
|----------|--------------------|----------|
| APPROVAL | DRAWN: SKV | 01-12-15 |
| | CHKD : EV | 01-12-15 |
| | DSGN : EV | 01-12-15 |
| | MFG : DH | 01-12-15 |
| | QC : BB | 01-12-15 |
| | DRAWING SCALE: 5:1 | |
| | DRAWING NO. | REV |
| | JBXERIC | A |

1 OF 1

THIS DRAWING IS A CONTROLLED DOCUMENT FOR SOURIAU USA, INC. IT IS SUBJECT TO CHANGE WITHOUT NOTIFICATION. CONTACT THE DOCUMENT CONTROL CENTER FOR THE LATEST REVISION.

C

B

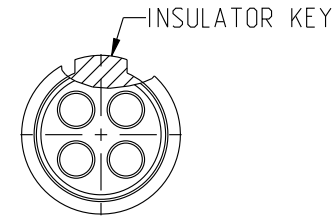
THE INFORMATION CONTAINED IN THIS DRAWING IS CONFIDENTIAL AND MAY NOT BE DISCLOSED WITHOUT WRITTEN CONSENT FROM SOURIAU USA, INC.

DWG. NO.
JBX1INSFCC

FEMALE INSULATOR, CRIMP CONTACT

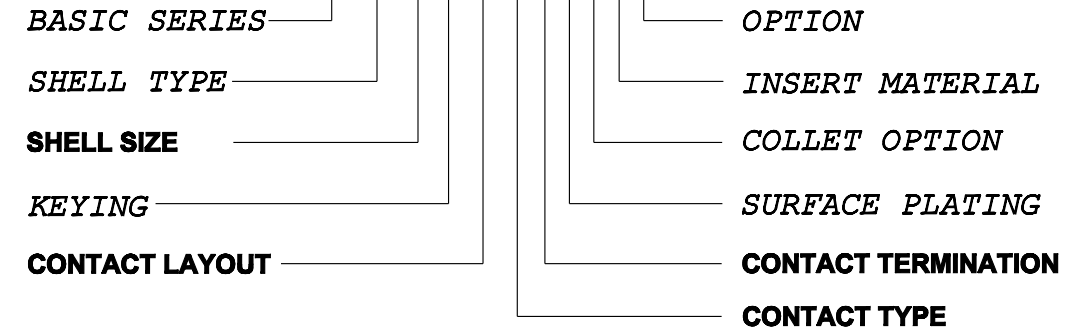
| CONTACT LAYOUT | 02 | 03 | 04 | 05 |
|----------------------------|-------------------------|---------|---------|---------|
| FRONT SIDE VIEW | | | | |
| REAR SIDE VIEW | | | | |
| CONTACT | | | | |
| ISO VIEW | | | | |
| CONTACT | ØC | 1.3 | 1.3 | 0.9 |
| | ØF | 1.4 | 1.4 | 1.1 |
| | MAX. AWG | 18 | 18 | 20 |
| | MAX. CURRENT RATING (A) | 15 | 15 | 10 |
| INSULATOR | CONTACT RESISTANCE (mΩ) | 3 | 3 | 3.5 |
| | NUMBER OF CAVITY | 2 | 3 | 4 |
| | MAX. CURRENT RATING | 15 | 12 | 10 |
| | TEST VOLTAGE (Vrms) | 1600 | 1300 | 1900 |
| WORKING VOLTAGE (Vdc/Vrms) | 760/530 | 600/420 | 900/630 | 660/460 |

CONTACT TYPE : F (FEMALE)
CONTACT TERMINATION : C (CRIMP)
MATERIAL :
 CONTACT: CUPRO NICKEL
 CLIP: COPPER ALLOY
 INSULATOR: PEEK
FINISH:
 CONTACTS: GOLD



CATALOG NUMBER DESCRIPTION

JBXXX 1 X YY F C XXXX



| | | | |
|-----|------------------------|-----------------|----------------|
| B | REVISED PER ECN 12286 | RSK 06-10-15 | EV 06-10-15 |
| A | RELEASED PER ECN 12264 | SKV 03-10-15 | EV 03-10-15 |
| REV | DESCRIPTION | BY DATE | CHKD DATE |

DRAWING TITLE
JBX, SIZE 1, FEMALE INSULATOR, CRIMP CONTACT

CAT NO. **JBX1INSFC**

CAGE NO: 09922 SIZE: B

| | | | |
|---|-----------------|--------------------|---------------------|
| CUSTOMER | SOURIAU | APPROVAL | DRAWN: SKV 02-02-15 |
| | | CHKD : EV 02-02-15 | |
| INTERPRET THIS DRAWING IN ACCORDANCE WITH ASME Y14.5M - 1994. | WWW.SOURIAU.COM | DSGN : EV 02-02-15 | DRAWING SCALE: NA |
| | | MFG : DH 02-02-15 | DRAWING NO. REV |
| | | QC : BB 02-02-15 | JBX1INSFCC B |
| | | | 1 OF 2 |

THIS DRAWING IS A CONTROLLED DOCUMENT FOR SOURIAU USA, INC. IT IS SUBJECT TO CHANGE WITHOUT NOTIFICATION. CONTACT THE DOCUMENT CONTROL CENTER FOR THE LATEST REVISION.

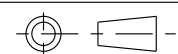
THE INFORMATION CONTAINED IN THIS DRAWING IS CONFIDENTIAL AND MAY NOT BE DISCLOSED WITHOUT WRITTEN CONSENT FROM SOURIAU USA, INC.

| ORIGIN | COUNTRY | JURISDICTION | CLASSIFICATION |
|--------|---------|--------------|----------------|
| X | FR | Not listed | N/A |
| | US | EAR | ECCN =EAR99 |

These commodities, technology or software are exported from the United States in accordance with the Export Administration Regulations. Diversion contrary to U.S. law is prohibited.

LINEAR MEASURE: $\frac{mm}{INCH}$ mm (INCH)

THIRD ANGLE PROJECTION



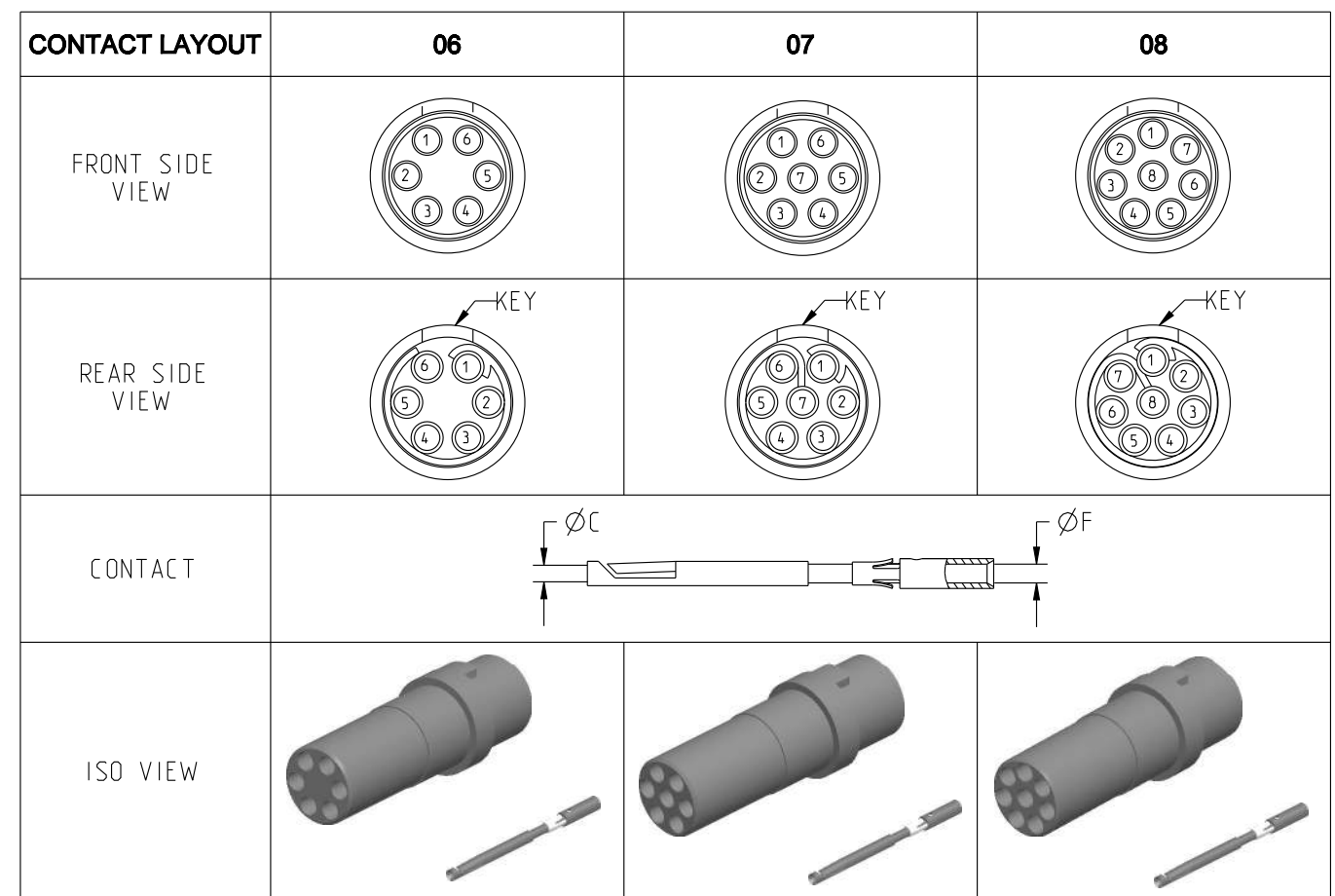
TOLERANCES UNLESS OTHERWISE SPECIFIED

| No. OF PLACES | mm [INCH] |
|---------------|---------------|
| ONE PLACE | ±3 [±.1] |
| TWO PLACES | ±0.5 [±.02] |
| THREE PLACES | ±0.25 [±.010] |

ANGLES ±1°

DWG. NO.
JBX1INSFCC

THIS DRAWING IS A CONTROLLED DOCUMENT FOR SOURIAU USA, INC. IT IS SUBJECT TO CHANGE WITHOUT NOTIFICATION. CONTACT THE DOCUMENT CONTROL CENTER FOR THE LATEST REVISION.



| CONTACT | ØC | 0.7 | 0.7 | 0.7 |
|-------------------------|----------------------------|---------|---------|---------|
| | ØF | 0.85 | 0.85 | 0.85 |
| | MAX. AWG | 22 | 22 | 22 |
| | MAX. CURRENT RATING (A) | 7 | 7 | 7 |
| CONTACT RESISTANCE (mΩ) | | 5 | 5 | 5 |
| INSULATOR | NUMBER OF CAVITY | 6 | 7 | 8 |
| | MAX. CURRENT RATING | 7 | 7 | 5 |
| | TEST VOLTAGE (Vrms) | 1400 | 1400 | 1200 |
| | WORKING VOLTAGE (Vdc/Vrms) | 660/460 | 660/460 | 600/420 |

THE INFORMATION CONTAINED IN THIS DRAWING IS CONFIDENTIAL AND MAY NOT BE DISCLOSED WITHOUT WRITTEN CONSENT FROM SOURIAU USA, INC.

B

A

DRAWING TITLE
JBX, SIZE 1, FEMALE INSULATOR, CRIMP CONTACT

CAT NO. **JBX1INSFC**

CAGE NO: 09922 SIZE: B

| | | | |
|---|------------------------|--------------------|---------------------|
| CUSTOMER | SOURIAU | APPROVAL | DRAWN: SKV 02-02-15 |
| | | CHKD : EV 02-02-15 | |
| INTERPRET THIS DRAWING IN ACCORDANCE WITH ASME Y14.5M - 1994. | WWW.SOURIAU.COM | DSGN : EV 02-02-15 | |
| | | MFG : DH 02-02-15 | |
| | | QC : BB 02-02-15 | |
| | | DRAWING SCALE: NA | |
| | | DRAWING NO. | REV |
| | | JBX1INSFCC | B |
| | | 2 OF 2 | |

LINEAR MEASURE: $\frac{mm}{INCH}$ mm (INCH)

THIRD ANGLE PROJECTION

TOLERANCES UNLESS OTHERWISE SPECIFIED

| No. OF PLACES | mm [INCH] |
|---------------|---------------|
| ONE PLACE | ±3 [±.1] |
| TWO PLACES | ±0.5 [±.02] |
| THREE PLACES | ±0.25 [±.010] |

ANGLES ±1°

| ORIGIN | COUNTRY | JURISDICTION | CLASSIFICATION |
|--------|---------|--------------|----------------|
| X | FR | Not listed | N/A |
| | US | EAR | ECCN =EAR99 |

These commodities, technology or software are exported from the United States in accordance with the Export Administration Regulations. Diversion contrary to U.S. law is prohibited