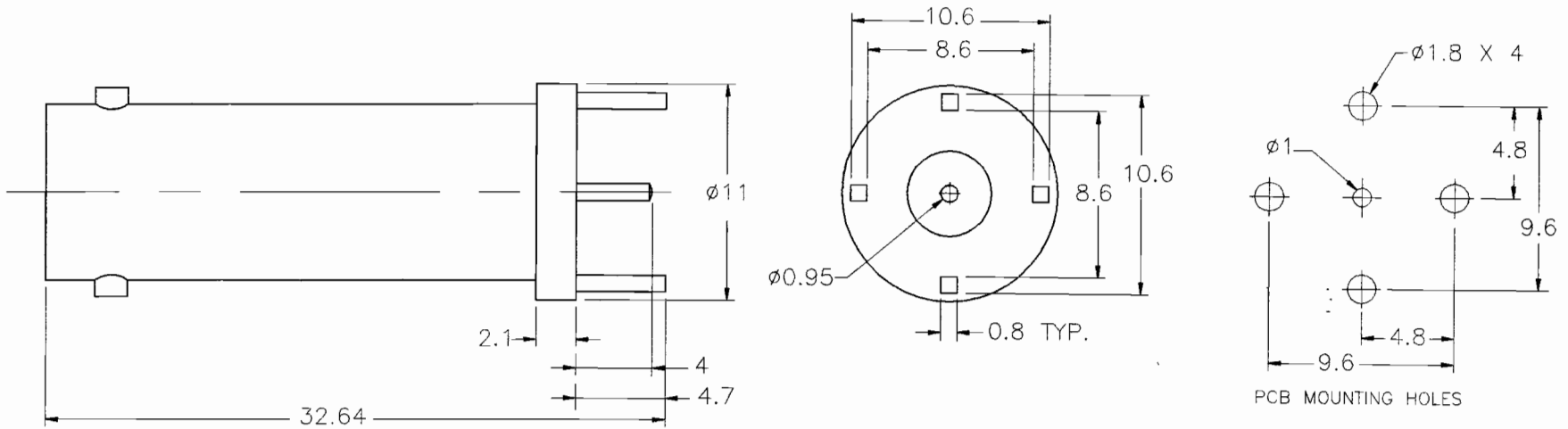



REV.	DATE	DESCRIPTION
NC	2/18/97	INITIAL RELEASE



DESCRIPTION	MATERIAL	FINISH	DIMENSIONS ARE IN MILLIMETERS UNLESS OTHERWISE SPECIFIED TOLERANCES ARE:	APPROVALS	DATE					
						SIZE	FSCM NO.	DWG. NO.	REV.	
1	BODY	BRASS	NICKEL	DRAWN	G.R.S.	2/18/97	TITLE BNC P.C. MOUNT RECEPTACLE JACK			
2	INSULATOR	TEFLON	NATURAL	CHECKED			50 ohm			
3	CONTACT PIN	PHOS. BRONZE	GOLD	ISSUED			A	99001	112553.DWG	NC
4							SCALE	3:1	PART NO.	112553
5							SHEET			1 OF 1
6										
7										
8			DO NOT SCALE DRAWING							