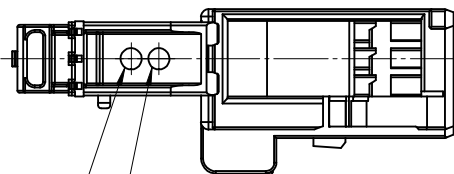
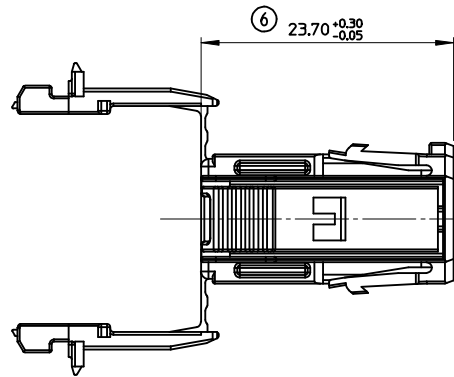
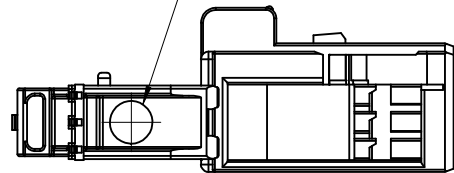
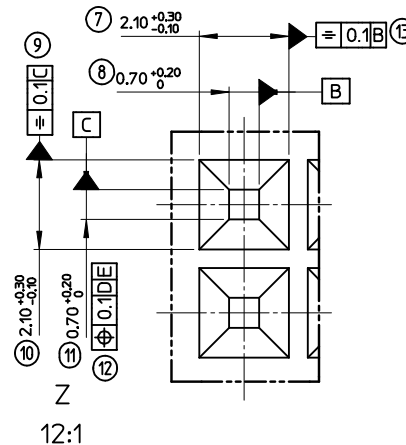


Date marker Ø4, in recess on the face

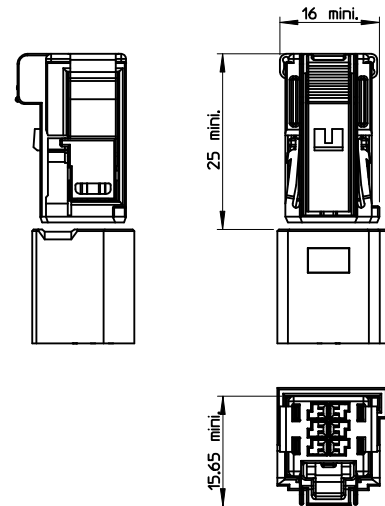
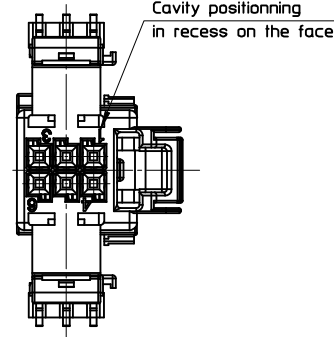


CAVITY NUMBER IN RECESS ON THE FACE

MOLEX INTERNAL MARKING

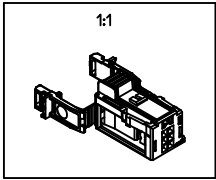


Z
12:1



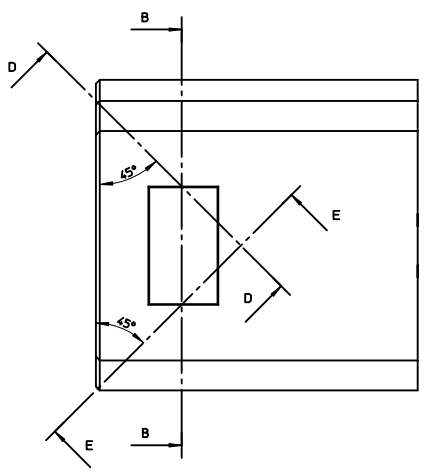
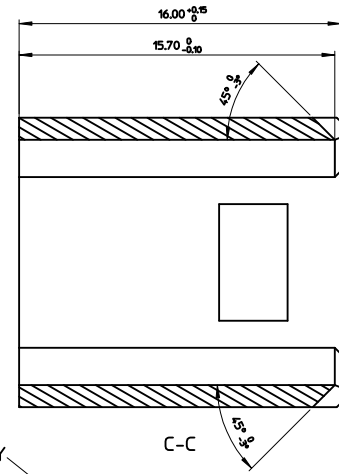
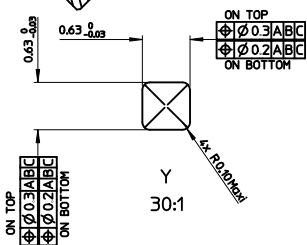
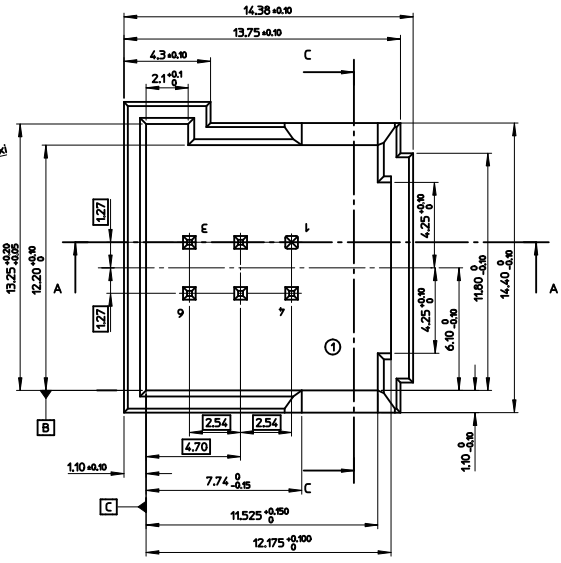
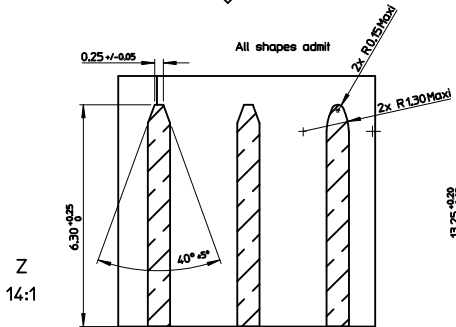
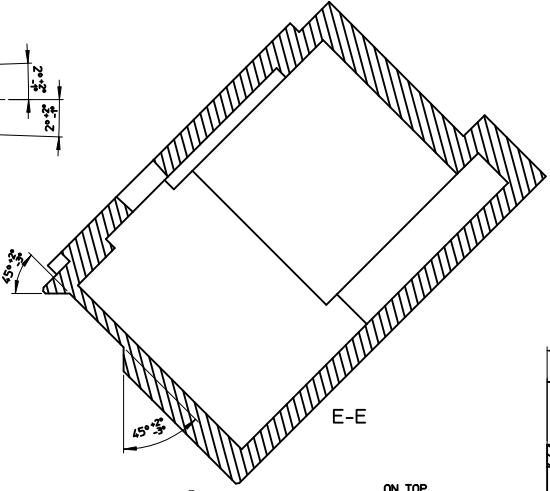
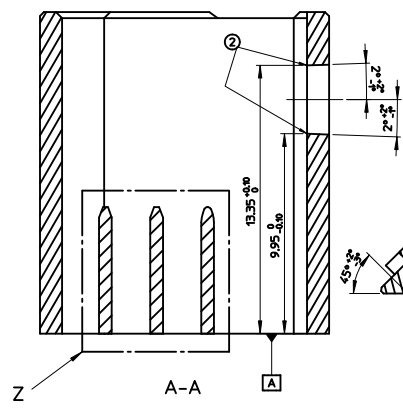
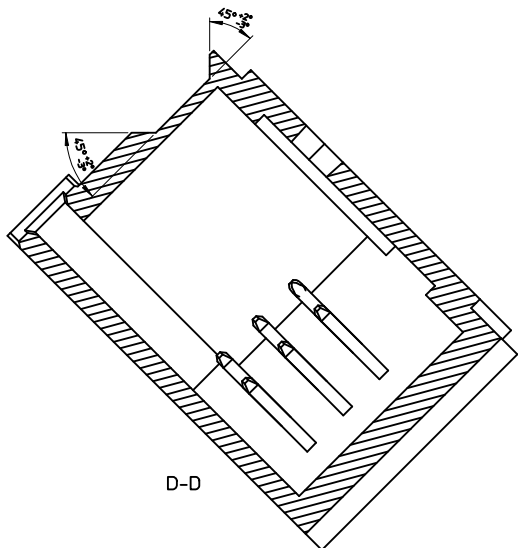
- Necessary volume for the housing assembly
- Allow an additional volume for the unmating

- NOTES :
- 1- MATERIAL: POLYAMIDE (PA), UL94 V2Ø1.58 mm. COLOR: BLACK.
 - 2- USE WITH: 98658 (MOX 0.63 TERMINAL).
 - 3- APPLICATION SPECIFICATION: AS-98192-001
 - 4- MARKINGS ON THE FLAPS CAN BE DONE ON ONE FLAP OR THE OTHER FLAP



Add capacity mold #4 EC NO: G2015-0200 DRAWN: AHERBEL IN 2015/05/05 CHKD: DUCLOS 2015/05/05 APPR: OPLESSIS 2015/07/20 REV: K	QUALITY SYMBOLS ▽=0 ▽=0 ▽=0	GENERAL TOLERANCES (UNLESS SPECIFIED)		DIMENSION STYLE MM ONLY		SCALE 3:1	DESIGN UNITS METRIC	FIRST ANGLE PROJECTION
		mm	INCH	DRAWN BY	DATE	TITLE		
		4 PLACES ± ---	± ---	MRIVIERE	2004/04/05	2X3 WAY CONNECTOR		
		3 PLACES ± ---	± ---	CHECKED BY	DATE			
		2 PLACES ± 0.10	± ---	LSTICKEI	2004/04/07			
		1 PLACE ± 0.20	± ---	APPROVED BY	DATE			
		0 PLACE ±	±	LSTICKEI	2004/04/07			
DRAFT WHERE APPLICABLE MUST REMAIN WITHIN DIMENSIONS		ANGULAR ±1/2°		MATERIAL NO. 0981920001		DOCUMENT NO. SD-98192-001		SHEET NO. 1 OF 1
THIS DRAWING CONTAINS INFORMATION THAT IS PROPRIETARY TO MOLEX INCORPORATED AND SHOULD NOT BE USED WITHOUT WRITTEN PERMISSION								

Rev	Date	Revision
A	2000/04/20	FIRST RELEASE

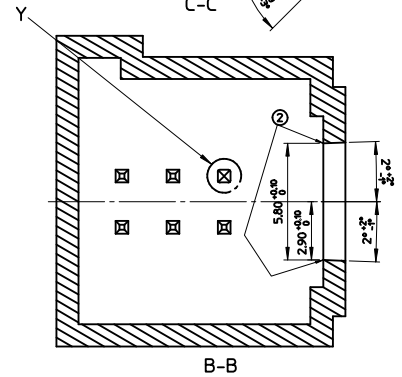


materials :

- Header PBT 20%
- Pin CuSn6 or CuFe12
- Tin plating 0.8 to 3.34µm

marking :

- The cavity marking must be in recess of the face
- No burs allow in this area
- Chamfers or radii not size 0.5Maxi



FIRST RELEASE EC NO: G2011-0181 DRW:DDO/SANTOS 2011/04/20 CHKD: APPR: CBOUCHAN	QUALITY SYMBOLS V=0 V=0 V=0	GENERAL TOLERANCES (UNLESS SPECIFIED)		DIMENSION STYLE		SCALE 8:1	DESIGN UNITS METRIC	FIRST ANGLE PROJECTION
		mm	INCH	MM ONLY	DATE			
REV A	4 PLACES	± 0.10	± 0.004	MM ONLY	DATE	DRAWN BY PPOZZO 2000/09/04	TITLE 2X3 WAY CONNECTOR INTERFACE DRAWING	MOLEX INCORPORATED
	3 PLACES	± 0.05	± 0.002	DATE	CHECKED BY PGRANDCL 2001/02/09			
	2 PLACES	± 0.05	± 0.002	DATE	APPROVED BY CBOUCHAN 2011/06/21			
	1 PLACE	± 0.10	± 0.004	DATE	MATERIAL NO. 0981920001			
DRAFT WHERE APPLICABLE MUST REMAIN WITHIN DIMENSIONS		ANGULAR ±1/2°		DOCUMENT NO. SD-98192-003		SHEET NO. 1 OF 1		THIS DRAWING CONTAINS INFORMATION THAT IS PROPRIETARY TO MOLEX INCORPORATED AND SHOULD NOT BE USED WITHOUT WRITTEN PERMISSION