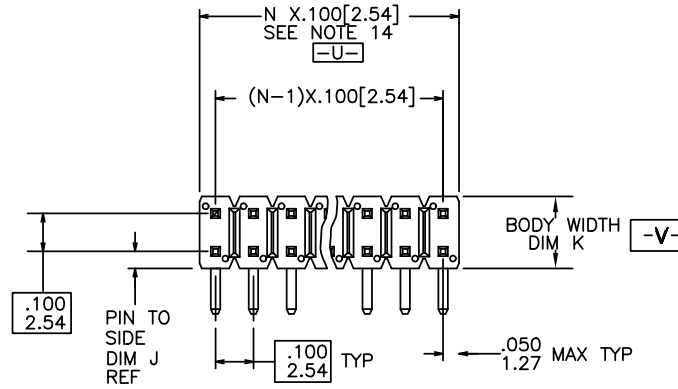


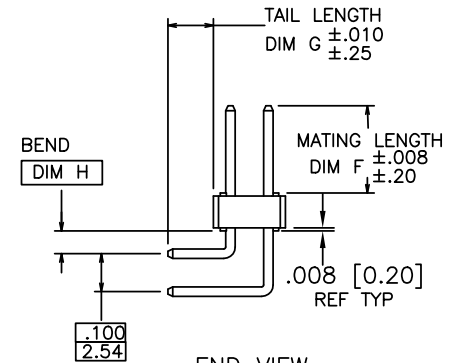
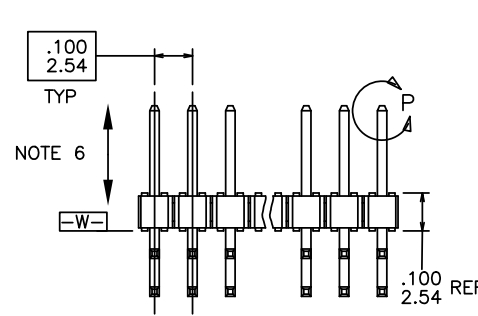
PRODUCT NUMBER

10119110-XXX XXX XLF

- LEAD FREE OPTION
SEE NOTE 1,7
- PACKAGING OPTION
SEE NOTE 1
- INDICATE DIFFERENT MATING LENGTH
AND TAIL LENGTH AND POLARIZED PIN
AND OTHER INFORMATION
- NO OF
POSITIONS
SEE NOTE 2
- PIN PLATING
SEE SHEET 2
- BASE PART NO.



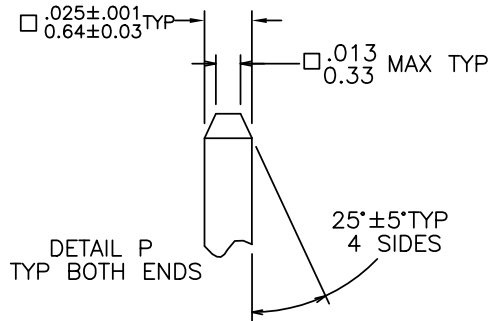
TOP VIEW



END VIEW

⊕	∅ .020/.51	Ⓜ	U	Ⓜ	V	W
---	------------	---	---	---	---	---

NOTE 4



mat'l. code		surface		tolerance		projection		product family	
NOTES 2 & 3		ISO 1302 ✓		ISO 406 ISO 1101				BERGSTIK	
ltr	ecn no	dr	date	tolerances unless otherwise specified				title	
A	--	DCS	2012-10-22	angles	linear	INCH/MM		BERGSTIK® II HEADER .100/2.54cc DR R/A	
				0°±2'		scale 1:1		dwg no	
				dr	J.ZHOU	2011-09-21		sheet 1 of 3 size	
				enr	J.ZHOU	2011-09-21		10119110 A3	
				chr	J.ZHOU	2011-09-21		type Product Customer Drawing	
				appd	--	--			
sheet index	revision sheet	A	A	A					
		1	2	3					

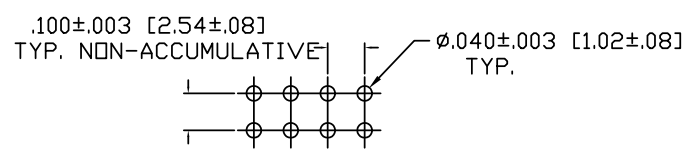
PIN PLATING CODES:	
10119110-1YYXXXLF	30u"/0.76u MIN (SEE NOTE 8) OVER 50u"/1.27u MIN Ni
10119110-2YYXXXLF	15u"/0.38u MIN (SEE NOTE 8) OVER 50u"/1.27u MIN Ni
10119110-3YYXXXLF	50u"/1.27u MIN Au OVER 50u"/1.27u MIN Ni
10119110-4YYXXXLF	100u"/2.54u MIN Sn OVER 50u"/1.27u MIN Ni (SEE NOTE 9)
10119110-5YYXXXLF	30u"/0.76u MIN Au OVER 50u"/1.27u MIN Ni
10119110-6YYXXXLF	15u"/0.38u MIN Au OVER 50u"/1.27u MIN Ni
10119110-7YYXXXLF	15u"/0.38u MIN GXT OVER 50u"/1.27u MIN Ni
10119110-8YYXXXLF	30u"/0.76u MIN GXT OVER 50u"/1.27u MIN Ni

- 7. THESE PRODUCTS MEETS EUROPEAN UNION DIRECTIVES AND OTHER COUNTRY REGULATION AS DESCRIBED IN GS-22-008.
- 8. PLATING OPTIONS:
MAY BE EITHER GOLD OR GXT PLATED AT MANUFACTURER'S OPTION.
- 9. THIS PRODUCT HAS 100% TIN PLATING IN THE INTERFACE AND HAS NOT BEEN TESTED FOR WHISKER GROWTH IN ALL INTERCONNECT ENVIRONMENTS."
- 10. THE OAL DON'T EXCEED 31mm
OAL= MATTING DIM + TAIL DIM +4.0mm<=31mm "WHERE THE SUM OF TAIL LEGTH DON'T EXCEED 27mm" TAIL
TAIL LENGTH MIN 2.00mm TAIL LENGTH MAX 10.4mm
MATTING LENGTH MIN 1.5mm MATTING LENGTH MAX 25.4mm
- 11. INCREMENTS BY 0.1mm IN LENGTH ONLY
- 12. FOR ESPECIAL PACKAGING REQUEST PLEASE CONTACT PRODUCT MANAGER FOR AVAILABILITY
- 13. BEND DIMENSION AT 1.5mm ONLY
- 14. TO DETERMINE DIMENSIONS:
N=NUMBER OF POSITION PER ROW
EXAMPLE: 10 POS. N X .100/2.54

NOTES

- 1. PART NUMBER OPTIONS:
PIN PLATING CODES (SEE ABOVE)
NUMBER OF POSITION:
EVEN NUMBER OF POSITIONS FROM 2 (2X1) THRU 72 (2X36).
PACKAGING:
PACKAGED IN POLY BAGS.
EIGHT DIGIT PART NUMBERS FOLLOWED BY A "T" ARE PACKAGED IN TUBES. SEE SPECIFIC PART NUMBERS FOR AVAILABILITY.
LEAD FREE:
ADD "LF" SUFFIX AT THE END OF PART NUMBER FOR LEAD FREE OPTION.
- 2. BODY MATERIAL:
HIGH TEMP. MATERIAL:
MANUFACTURER'S OPTION OF NYLON, PCT GLASS FIBER REINFORCED, OR MINERAL FILLED LCP FLAME RETARDENT PER UL-94V-0.
COLOR: BLACK.

PART NUMBERS WILL WITHSTAND EXPOSURE TO 260°C PEAK TEMPERATURE FOR 20 SECONDS IN WAVE SOLDER, INFRA-RED OR VAPOR PHASE SOLDER PROCESS.
- 3. PIN MATERIAL: COPPER ALLOY.
- 4. MEASURED WITH PART IN RESTRAINED CONDITION.
- 5. TWO SIDES OF PIN TIPS NOT PLATED. TYPICAL BOTH ENDS.
- 6. 2LBS/0.9KG MIN PIN RETENTION IN EITHER DIRECTION.



RECOMMENDED HOLE PATTERN

mat'l. code		surface		tolerance		projection		product family	
NOTES 2 & 3		ISO 1302 ✓		ISO 406 ISO 1101				BERGSTIK	
ltr	ecn	no	dr	date		tolerances unless otherwise specified		title	
A						angles linear .XXX01/.X±0.3 .XXX005/.XXX±0.13 .XXX0020/.XXX±0.051		INCH/MM scale 1:1	
				dr	J.ZHOU	2011-09-21			BERGSTIK® II HEADER .100/2.54cc DR R/A
				enr	J.ZHOU	2011-09-21			dwg no sheet 2 of 3 size 10119110 A3
				chr	J.ZHOU	2011-09-21			type Product Customer Drawing
				appd	-	-			
sheet index	revision sheet								

PRODUCT NUMBER	MATING LENGTH		TAIL LENGTH		BEND DIM		PIN TO SIDE		BODY WIDTH		LF
	DIM F	DIM F	DIM G	DIM G	DIM H	DIM H	DIM J	DIM J	DIM K	DIM K	
	ENGLISH	METRIC	ENGLISH	METRIC	ENGLISH	METRIC	ENGLISH	METRIC	ENGLISH	METRIC	
10119110-XY001LF	0.230	5.84	0.120	3.05	0.060	1.52	0.045	1.14	0.190	4.83	NOTE 1,7
10119110-XY002LF	0.230	5.84	0.150	3.81	0.060	1.52	0.070	1.78	0.240	6.10	NOTE 1,7
10119110-XY003LF	0.318	8.08	0.318	8.08	0.060	1.52	0.045	1.14	0.190	4.83	NOTE 1,7



Copyright FCI

mat'l. code		surface		tolerance		projection		product family		
NOTES 2 & 3		ISO 1302 ✓		ISO 406 ISO 1101				BERGSTIK		
ltr	ecn no	dr	date	tolerances unless otherwise specified				title		
A				angles	linear			BERGSTIK® II HEADER		
				0°±2'		scale 1:1		.100/2.54cc DR R/A		
				dr	J.ZHOU	2011-09-21			dwg no	
				enr	J.ZHOU	2011-09-21			sheet 3 of 3	
				chr	J.ZHOU	2011-09-21			10119110	
				appd	-	-			A3	
sheet index		revision sheet						type Product Customer Drawing		