

4

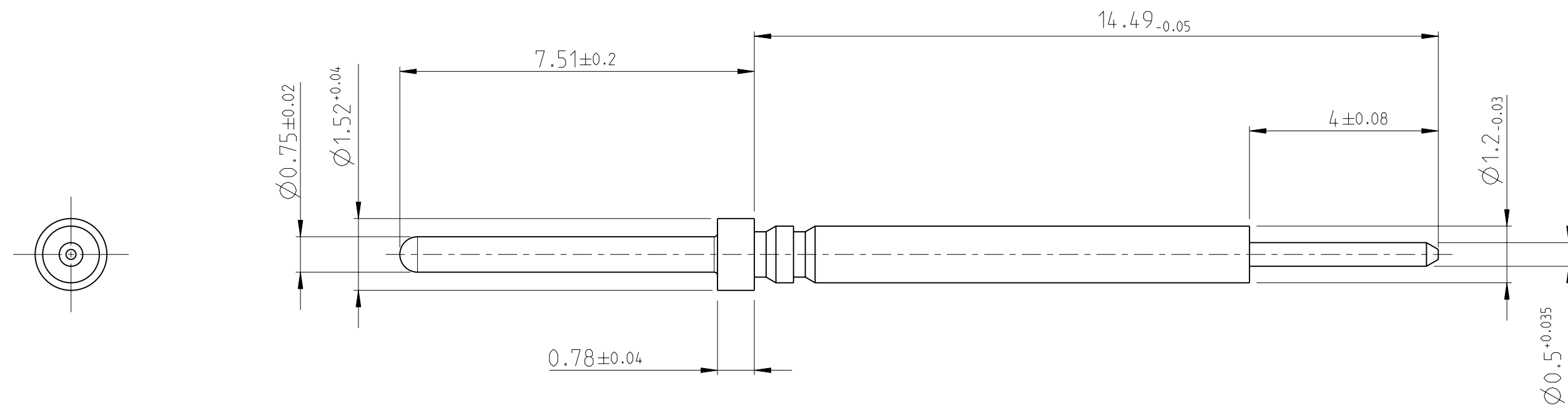
3

2

1

THIS DRAWING IS UNPUBLISHED. RELEASED FOR PUBLICATION 20
 © COPYRIGHT 20 BY TYCO ELECTRONICS CORPORATION. ALL INTERNATIONAL RIGHTS RESERVED.

LOC	DIST	REVISIONS			
P	LTR	DESCRIPTION	DATE	DWN	APVD
F	00	A	FIRST RELEASE	16 JUL 2010	TC YP



- 1 CONTACT BODY MAT'L: NICKEL COPPER ALLOY
- 2 FINISH: 0,0013 MIN THK GOLD PLATED PER MIL-G-45204 TYPE II GRADE C CLASSE I OVER 0,0013 MIN NICKEL PLATED PER QQ-N-290.
- 3. INSERTION / EXTRACTION TOOL P/N 91067-1
- 4. CONTACTS MEET ALL APLICABLE PERFORMANCE REQUIREMENTS OF MIL-C-39029.

349336-1
 PART NUMBER

<small>THIS DRAWING IS A CONTROLLED DOCUMENT FOR TYCO ELECTRONICS CORPORATION IT IS SUBJECT TO CHANGE AND THE CONTROLLING ENGINEERING ORGANIZATION SHOULD BE CONTACTED FOR THE LATEST REVISION.</small>		DWN 16 JUL 2010 Thierry CORRIOU		Tyco Electronics France SAS 95300 Pontoise, France	
DIMENSIONS: mm		TOLERANCES UNLESS OTHERWISE SPECIFIED: 0 PLC ±0.13 1 PLC ±0.13 2 PLC ±0.13 3 PLC ± 4 PLC ± ANGLES ±1		NAME CONTACT, PIN, SIZE 22, POSTED, REMOVABLE	
		APVD 16 JUL 2010 Yves PETRONIN		SIZE A3 CAGE CODE 00779 DRAWING NO C-349336 RESTRICTED TO -	
MATERIAL - 1		FINISH - 2		WEIGHT 0,15 g	
CUSTOMER DRAWING				SCALE 10:1 SHEET 1 OF 1 REV A	