

PART NAME: KNOB SCALE: 1:1 DATE: 7/27/04 DR. BY JAM

THIS DRAWING IS THE PROPERTY OF DAVIES MOLDING COMPANY, IS SUBMITTED SOLELY AS A DESIGN OR ENGINEERING PROJECT. WE ACCEPT NO RESPONSIBILITY WHATSOEVER FOR THE PRACTICAL APPLICATION OF THE PIECES MADE TO THIS DESIGN.

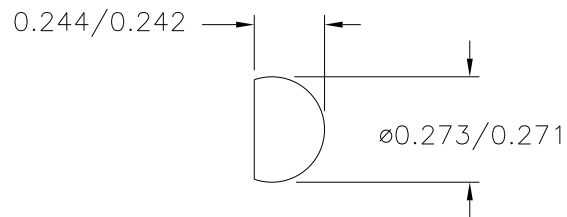
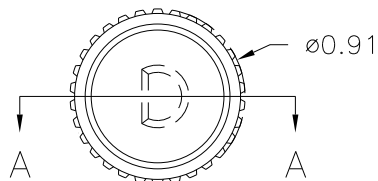


DESIGNERS & MANUFACTURERS OF KNOBS, HANDLES, CASES & CUSTOM PLASTIC COMPONENTS

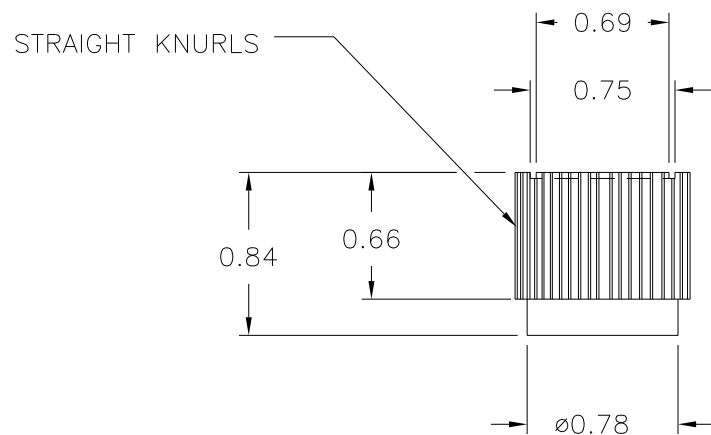
P/N	8090-N
M NO.	# 6
CAVITY	8090
CAV. PLUG	8090
CORE	8090
CORE PLUG	8090
SLEEVE	8090
PIN	BP8090-N
SPRING	I2265

NOTES:

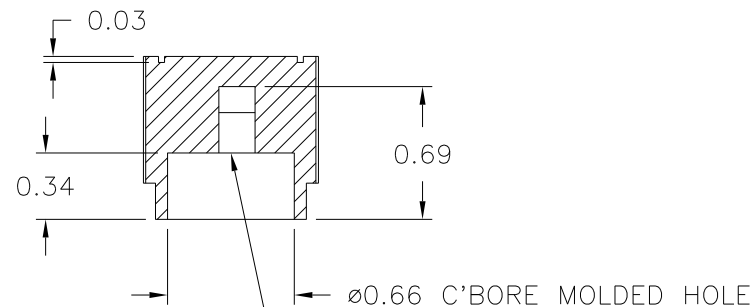
MOLDED HOLE MUST BE CHECKED WITH PROPER GAUGE FOR PROPER MOLDED HOLE CONDITIONS



MOLDED HOLE DETAIL SCALE 2 : 1



SECTION A-A



SPRING I2265 TO ACCOMODATE A  $\phi$ 0.250 SHAFT FLATTED TO 0.218

Ⓑ SPRING TO BE INSTALLED AT THE PRESS

Ⓒ MATERIAL: NYLON 6/6 (ZY2), (ZY6) OR ENGINEERING APPROVED EQUIVALENT  
 COLOR: BLACK

TOLERANCES: UNLESS OTHERWISE SPECIFIED	DO NOT SCALE DRAWING			
DECIMALS: X.XXX ± .005 X.XX ± .015	MM: X.XX ± 0.15MM X.X ± 0.4MM	C	WAS CLC, ADDED ZY6	JAM 6/25/12
		B	ADDED SPRING INSTALL NOTE	DS 9/19/06
		A	NYLON 6/6 (CLC) WAS ABS	DS 5/3/06
FRACTIONS ± 1/64	ANG. ± 1°	CHANGES		