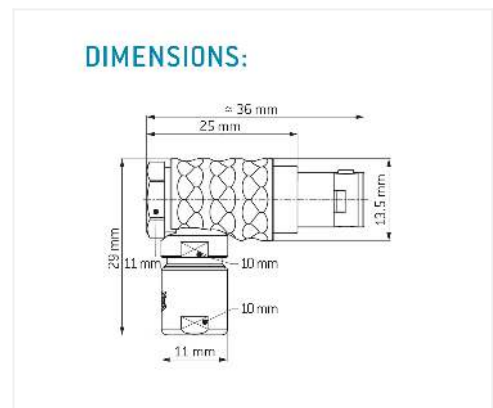
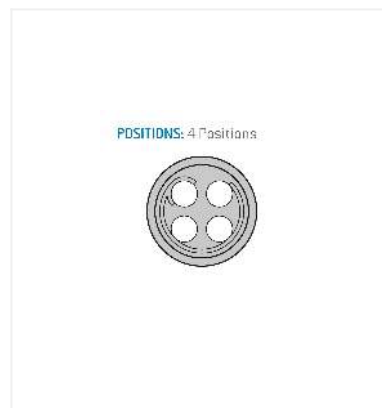


**General information**

Part number	W11LOC-P04PJH0-7200
Termination	crimp
Size	1
Locking principle	push
Coding	0_key
Cable Diameter	cable_mini_72
Cable outlet	standard



**Contact insert description**

Number of contacts	4
Contact type	pins
Contact diameter	09mm
Insulator material	peek
Wire cross section	20-24_awg
Termination	crimp
Data transmission	ethernet_100

reverse\_gender\_on\_request

**Technical information**

Max. creepage and air clearance distance	07_mm	11 mm
Nominal current single contact	10_a	iec_60512_5_2
Nominal current insert	10 A	vde_0298_4
Test voltage	1_kv_ac	sae_13441

safety\_text

## Mechanical and environmental data

Degree of protection*	ip50
-----------------------	------

Operating temperature	40_120_c
-----------------------	----------

Mating cycles	5000
---------------	------

mated\_unmated

## Material and surface treatments

Housing	m_chrome
---------	----------

Contact	cu_alloy_gold
---------	---------------

data\_text

safety\_text\_2

data\_text

ul\_text

illustrative\_text