

GlobTek, Inc. www.globtek.com 186 Veterans Drive, Northvale, NJ 07647 Tel. (201) 784-1000 Fax (201) 784-0111	Drawing Title: High current barrel CONNECTOR 5.5*2.5mm L=23.6mm O-type Current:10A	
	Model No. Connector	
	Part No./Ordering No. 451-02180198(R)	Rev B

In Addition to GlobTek Inc.'s renewed ISO9001:2008 - Quality Management System Certification, GlobTek Inc. is now certified to:

- ISO13485:2003 - Medical Devices Quality Management System Certification
- ISO14001:2004 - Environmental Management System Certification

ISO Certificates are available online at <http://www.globtek.com/iso-certificates/>

The acceptance of this specification and use of the product described in this document indicates the acceptance and binding of the customer to Globtek TERMS AND CONDITIONS (attached to the end of this document), which supersede all other agreements, terms, and conditions (<http://en.globtek.com/terms-and-conditions/>).

Prop 65 Statement:<https://en.globtek.com/prop-65-statement.pdf>

Footnote:

GlobTek Inc. will not be liable for the safety and performance of these power supplies if unauthorized access and repair occurs. End user should consult applicable UL, CSA or EN standards for proper installation instruction.

Limitation of Use:

GlobTek products are intended for use with commercial, medical, and/or industrial equipment only. GlobTek product are not authorized for use as mission critical components in life support hazardous environment, nuclear or aircraft applications without prior written approval from the CEO of GlobTek Inc.

Contents of this document are subject to change without prior notice.

Customer Approval of Specification:

Please approve, sign and send back to GlobTek so we can complete order processing.
 A delay in receipt of this form will delay delivery schedule.

Company Name:	Customer P/N:
Quote Number:	Date:
Authorized Representative Name:	Authorized Representative Signature:

GlobTek, Inc. www.globtek.com 186 Veterans Drive, Northvale, NJ 07647 Tel. (201) 784-1000 Fax (201) 784-0111	Drawing Title: High current barrel CONNECTOR 5.5*2.5mm L=23.6mm O-type Current:10A	
	Model No. Connector	Part No./Ordering No. 451-02180198(R)

REVISION HISTORY

REV	DESCRIPTION	SUB	DATE	APPROVED
B	Correct issue with Ohm Symbol not printing in the spec.	DR	04/11/2019	QA
A	Initial Release of GTUS sales drawing	DR	04/09/2019	QA

AGENCY ONLINE DOCUMENTS

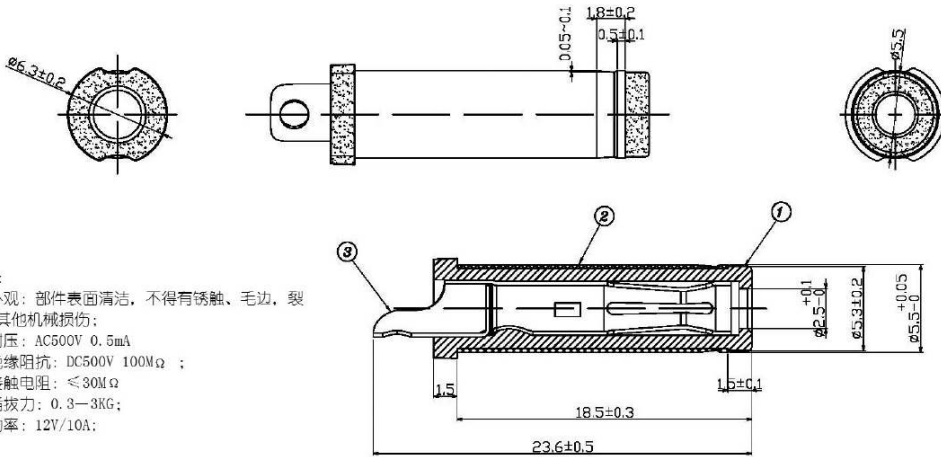
RoHS/RoHS3 Declaration https://www.globtek.com/pdf/rohs_cert/01t0c000008pLBYAA2

REACH Declaration https://www.globtek.com/pdf/iso_certificates/REACH.pdf

Conflict Minerals Declaration <https://www.globtek.com/pdf/conflict-minerals.pdf>

Prop 65 Statement <https://en.globtek.com/prop-65-statement.pdf>

IPXY rating is based on 3rd party testing and customers should check suitability and test system IPXY rating before ordering.



- 备注:
- 外观：部件表面清洁，不得有锈触、毛边，裂纹或其他机械损伤；
 - 耐压：AC500V 0.5mA
 - 绝缘阻抗：DC500V 100MΩ；
 - 接触电阻：≤30MΩ
 - 插拔力：0.3-3KG；
 - 功率：12V/10A；

一般公差	单位	7				
尺寸	mm	6				
公差		5				
0以上1.0以下	±0.1	4				
1.0以上6.0以下	±0.2	3	TF525-001	P-BRONZE	NICKEL	2um 以上
6.0以上18.0以下	±0.3	2	V5.51*17.0*0.5	BRASS	NICKEL	2um 以上
18.0以上40.0以下	±0.4	1		PBT(301-G15)	BLACK	
40.0以上	±0.5	NO	PART	MATERIAL	PLATING	THICKNESS

- Appearance : clean surface,no rust,no spike,no cracking and no any mechanical injury ;
- Voltage withstand: AC500V 0.5mA
- Insulation resistance : DC500V 100Mohms
- Contact resistance: ≤30 mOhms
- Insertion/withdrawal force: 0.3-3KG
- rated voltage/current: 12V/10A

PROPRIETARY INFORMATION

PROPRIETARY OF GLOBTEK, INC. ANY REPRODUCTION, DISCLOSURE OR USE OF THIS DRAWING, IN WHOLE OR IN PART, IS HEREBY PROHIBITED EXCEPT AS SPECIFIED IN WRITING BY GLOBTEK, INC. © GlobTek, Inc. 2018 - 2023

GlobTek, Inc. www.globtek.com 186 Veterans Drive, Northvale, NJ 07647 Tel. (201) 784-1000 Fax (201) 784-0111	Drawing Title: High current barrel CONNECTOR 5.5*2.5mm L=23.6mm O-type Current:10A	
	Model No. Connector	
	Part No./Ordering No. 451-02180198(R)	Rev B

PACKAGING

Packing Spec P/N:

Box Qty: 1000

Gift Box Size (mm):

Gift Box Color: White

Master Carton Size (mm): TBD

Master Carton Cubic Volume (m³): 0.00

Master GW (Kg): 1.1 kg

wt Ea. (Kg): 0.00 kg

wt Ea. (Kg): 0.00 kg

LABEL SPECS: Standard GT,L-1186

PACK SPEC: