

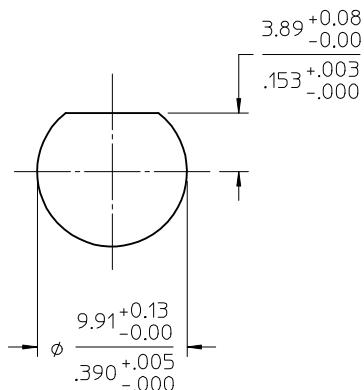
MATERIALS AND FINISHES

BODY, NUT BRASS  
PLATED NICKEL

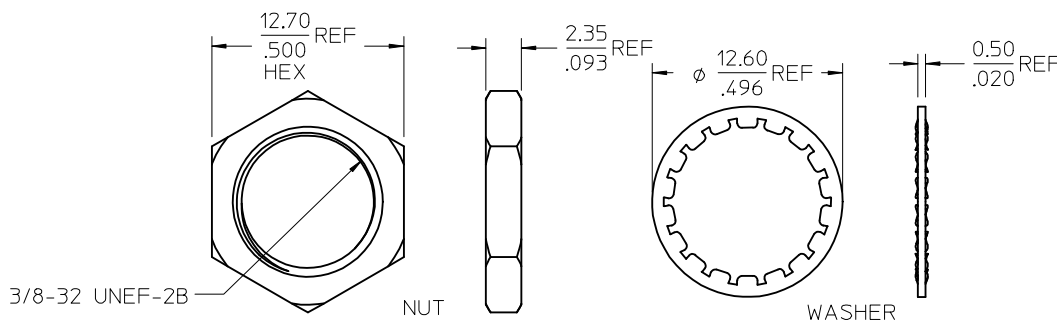
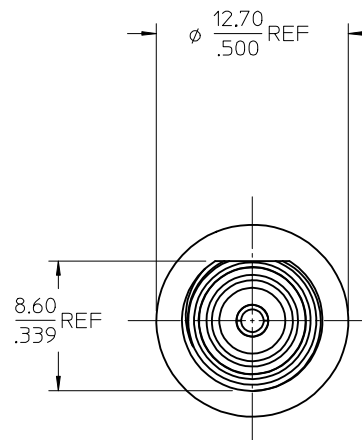
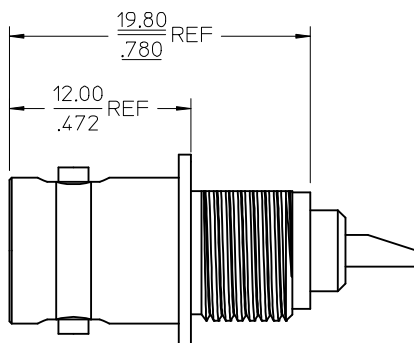
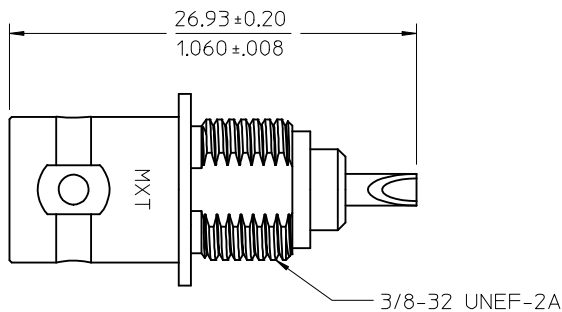
CENTER CONTACT PHOSPHOR BRONZE  
PLATED GOLD

INSULATOR TEFLON

LOCKWASHER PHOSPHOR BRONZE  
PLATED NICKEL



RECOMMENDED MOUNTING HOLE  
MAXIMUM PANEL THICKNESS: 2.65(.104)



PS-73598-0019	ELETR0/MECH PERFORM.
SPECIFICATION	DESCRIPTION

73171-3080	73100-0195, ONE PER BAG
73100-0195	BAG(100PCS)
PART NO.	PACKAGING

CHG: PACKING UPDATE PER SAP EWR RF16-E064	EC NO: URF2016-0739 2016/04/29	DRWN: YCHENG	CHKD:	APPR: YCHENG	2016/04/29	DESCRIPTION	QUALITY SYMBOLS

GENERAL TOLERANCES (UNLESS SPECIFIED)		DIMENSION STYLE MM/IN		SCALE	DESIGN UNITS METRIC	THIRD ANGLE PROJECTION	
4 PLACES	± ---	± ---	DRAWN BY NORMAN	DATE 1995/01/05	TITLE BNC JACK, BULKHEAD WITH SOLDER POT, 50 OHMS BNC-JR/BK		
3 PLACES	± ---	± ---	CHECKED BY SAM	DATE	MOLEX INCORPORATED		
2 PLACES	± ---	± ---	APPROVED BY WALLY	DATE	DOCUMENT NO. SD-73100-0195		
1 PLACE	± ---	± ---	ANGULAR ± 2 °		SHEET NO. 1 OF 1		
DRAFT WHERE APPLICABLE MUST REMAIN WITHIN DIMENSIONS		SIZE C	THIS DRAWING CONTAINS INFORMATION THAT IS PROPRIETARY TO MOLEX INCORPORATED AND SHOULD NOT BE USED WITHOUT WRITTEN PERMISSION				