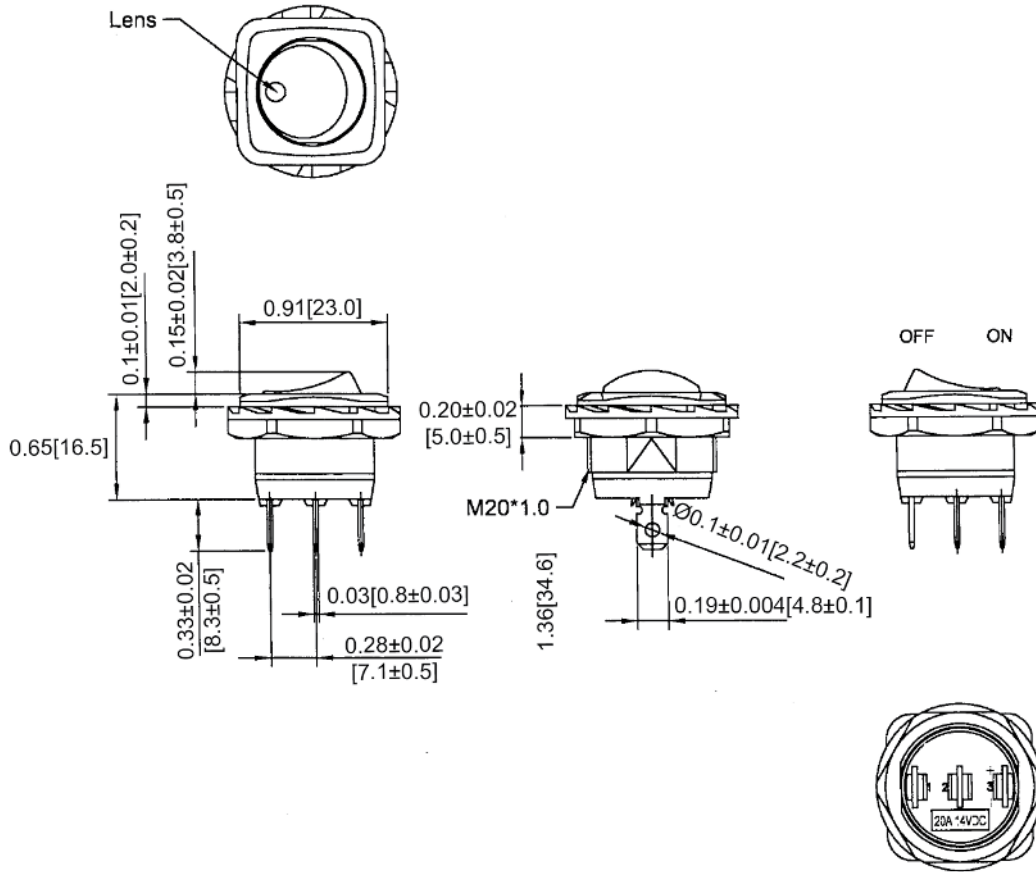
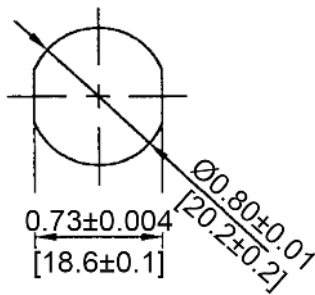


**Mechanical Dimensions: Inches [mm]**

Tolerances  $\pm 0.012$  [0.3] Unless Otherwise Specified

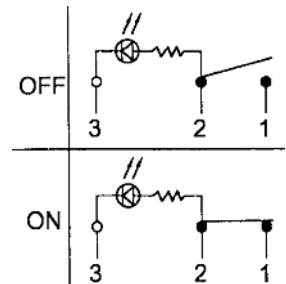


**Mounting Hole**



**Circuit Diagram**

3P SPST OFF-ON (LED-D)



**Electrical Specifications**

Rating	20A 14V DC
Contact Resistance	50m ohm Max
Insulation Resistance	DC 500V 100M ohm Min
Dielectric Strength	AC 1500V 1 minute
Operation Temperature	-25°C~85°C

**Material Specifications**

Frame	Black, Nylon 66+33%GF
Actuator	Black, Nylon#66
LED	Red (Dependent)
Lens	PC, Red

Rev	Date of issue	Revision Notes	Designed	Approved
B	07-13-2021	Initial Drawing	RC	OF