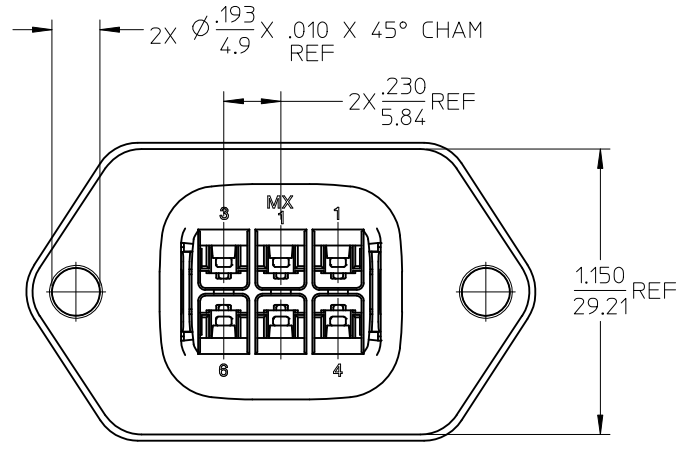
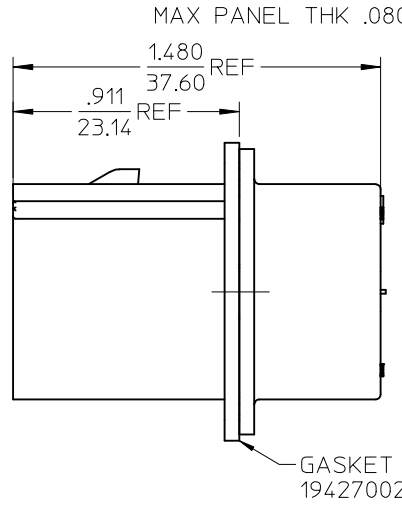
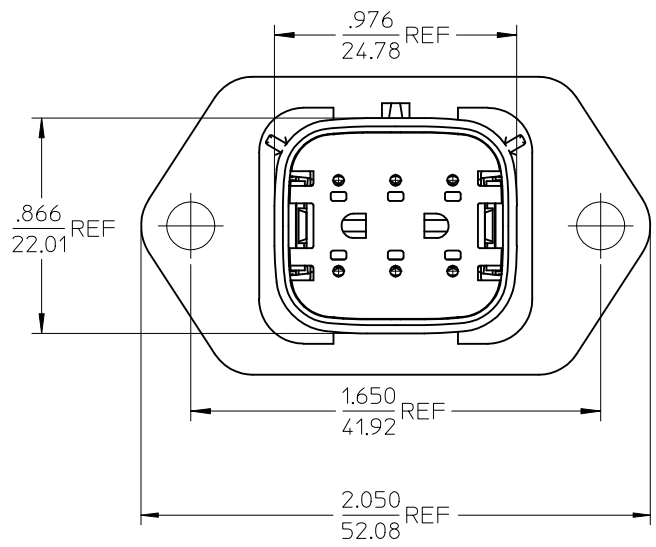


ASSEMBLED VIEW
SCALE 1:1



(B)

- NOTES:
1. MATERIALS:
HOUSING: POLYESTER (PBT), GLASS FILLED, UL94 V-0,COLOR: BLACK
GASKET: EPDM RUBBER
 2. PRODUCT SPECIFICATION: PS-19417-001.
 3. PACKAGING SPECIFICATION: PK-19429-001.
GASKETS, IF REQUIRED FOR THE ASSEMBLIES,ARE BULK PACKAGED IN A SEPARATE BAG.
 4. MATES WITH: 19418 SERIES RECEPTACLE ASSEMBLIES.
 5. USE CONNECTOR WITH MALE CRIMP TERMINAL; SERIES 19417.
 6. RECOMMENDED MOUNTING HARDWARE: (2)Ø10 X .62/15.8 LONG PLASTIC THREAD CUTTING SCREWS, RECOMMENDED TORQUE 15-17 IN-LBS. SUGGESTED SOURCE: ITW SHAKEPROOF INDUSTRIAL BOSSCREW OR EQUIVALENT.
 7. ASSEMBLY IS ROHS COMPLIANT.

| | |
|-----------------|--------|
| 194290044 | YES |
| 194290028 | NO |
| MATERIAL NUMBER | GASKET |

| | | | | |
|--|-------------------------------|---|-----------------------|-------------------|
| REVISE NOTES EC NO: IPG2012-0161 DRWN:WLEUNG 2012/02/10 CHKD: APPR: DITITUS 2012/02/28 | QUALITY SYMBOLS | GENERAL TOLERANCES (UNLESS SPECIFIED) | SCALE 2:1 | DESIGN UNITS INCH |
| | ▽-0 ▽C-0 | mm INCH | DIMENSION STYLE IN/MM | |
| | | 4 PLACES ± --- ± --- 3 PLACES ± --- ± .015 2 PLACES ± 0.38 ± --- 1 PLACE ± --- ± --- | DRAWN BY DMYRICK | DATE 04/07/19 |
| | | ANGULAR ± 1° | CHECKED BY JPAWLICK | DATE 04/07/19 |
| | DRAFT WHERE APPLICABLE | APPROVED BY RDEROSS | DATE 04/07/19 | |
| | MUST REMAIN WITHIN DIMENSIONS | THIS DRAWING CONTAINS INFORMATION THAT IS PROPRIETARY TO MOLEX INCORPORATED AND SHOULD NOT BE USED WITHOUT WRITTEN PERMISSION | | |

| | |
|---|--------------------|
| THIRD ANGLE PROJECTION | REVISE ON CAD ONLY |
| TITLE 6 WAY PLUG PANEL MOUNT ASSEMBLY W/O BOSS 22-14 AWG | |

| | | |
|--------------------|--------------|-----------|
| MOLEX INCORPORATED | | |
| MATERIAL NO. | DOCUMENT NO. | SHEET NO. |
| SEE CHART | SD-19429-012 | 1 OF 1 |