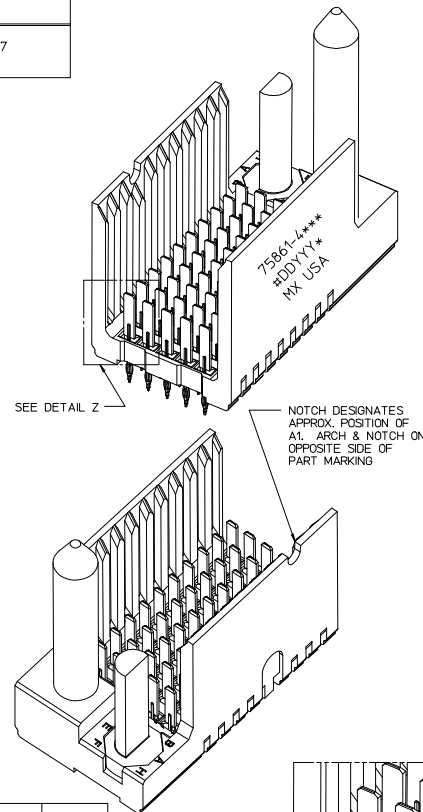
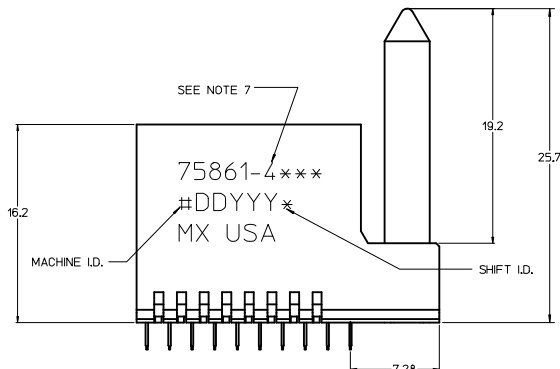
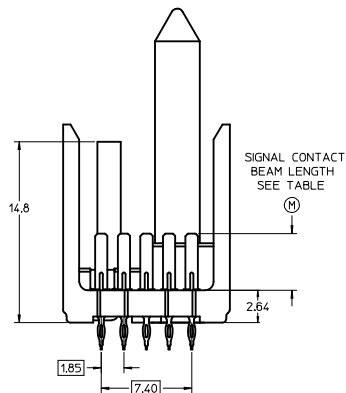


75861-4***
 COLUMN:
 01 = 10
 02 = 25
 05 = 5
 KEYING POSITION:
 0 = NONE
 1 = A
 2 = B
 ETC.

PIN LENGTH DIM "M"	GOLD (Au) THICKNESS micrometers
0=3.55 mm	0.25 (MAPS)
1=4.55 mm	
2=5.55 mm	
3=3.55 mm	0.76
4=4.55 mm	
5=5.55 mm	
7=3.55 mm	1.27
8=4.55 mm	
9=5.55 mm	

CONFIGURATION			
ASSEMBLY NO.	K	N	(L)
75861-45**	4	7.40	15.53
75861-41**	9	16.65	24.78
75861-42**	24	44.40	52.53

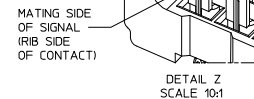


THE PRIMARY CARTON WITH A LABEL STATING "ELV AND RoHS COMPLAINT" IS LEAD FREE. CARTONS WITHOUT THIS LABEL MAY CONTAIN LEAD.

- NOTES:
- MATERIAL: HOUSING - LIQUID CRYSTAL POLYMER (LCP), GLASS-FILLED, UL 94V-0, GRAY, SIGNAL CONTACTS - HIGH PERFORMANCE COPPER ALLOY.
 - FINISHES: SELECTIVE GOLD (Au) ON CONTACT AREA, SELECTIVE MATTE TIN (Sn) ON TAIL AREA, NICKEL (Ni) OVERALL.
 - 10-COLUMN ASSEMBLY SHOWN AS REFERENCE. SEE TABLE AND CHART FOR OTHER OPTIONS.
 - PARTS PACKAGED PER PK-70873-5056.
 - THIS PART CONFORMS TO MOLEX PRODUCT SPECIFICATION PS-75221-999.
 - FOR MIXED CONTACT LENGTHS CONSULT MOLEX.
 - EITHER MARK PART NUMBER AND DATE CODE APPROXIMATELY WHERE SHOWN OR PLACE A LABEL ON THE TUBE.
 - MINIMUM CIRCUIT BOARD THICKNESS: 1.6
 - OPTIONAL HOLE LOCATION FOR GROUNDED GUIDE PIN OR FOR ADDITIONAL GUIDE PIN SUPPORT. FOR GROUNDED GUIDE, HOLE TO BE PLATED, DRILL SIZE $\phi 2.58$, PAD SIZE $\phi 5.50$
 - THESE PARTS CONFORM TO MOLEX COSMETIC SPECIFICATION PS-45499-002 CLASS B.
 - MAPS (MOLEX ADVANCED PLATING SYSTEM).

LEAD-FREE PLATING

P/N	---0*	---1*	---2*	---3*	---4*	---5*	---6*	---7*	---8*
75861-()	0	A	B	C	D	E	F	G	H
KEYING PIN ORIENTATION									



REV TO LEAD-FREE IEC NO: UCP2013-1905 DRAWINGS: 2012/09/05 CHKD: MWLF APPR: SMILLER DATE: 2012/12/05	QUALITY SYMBOLS ∇=0 ∇=0 ∇=0	GENERAL TOLERANCES (UNLESS SPECIFIED) DIMENSION STYLE: MM ONLY SCALE: 5:1 DESIGN UNITS: METRIC THIRD ANGLE PROJECTION	DRAWN BY: J BINGHAM DATE: 2006/02/06 CHECKED BY: KMULVEY DATE: 2006/02/06 APPROVED BY: SMILLER DATE: 2012/12/05	TITLE: GBX 2-PAIR L-SERIES LF RIGHT END BACKPLANE SALES ASSEMBLY DRAWING molex DOCUMENT NO. SD-75861-410 SHEET NO. 1 OF 1	
	MATERIAL NO. SEE CHART SIZE D	ANGULAR ±1/2° DRAFT WHERE APPLICABLE MUST REMAIN WITHIN DIMENSIONS	THIS DRAWING CONTAINS INFORMATION THAT IS PROPRIETARY TO MOLEX INCORPORATED AND SHOULD NOT BE USED WITHOUT WRITTEN PERMISSION		