

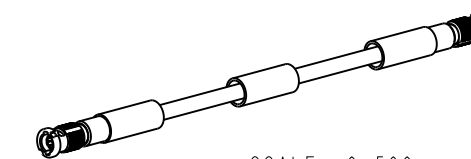
NOTES:

1. MATERIALS AND FINISHES:
 HD-BNC STR PLUG - BRASS, NICKEL PLATING
 CABLE - BELDEN 4855R
2. ELECTRICAL:
 A. IMPEDANCE: 75 OHM
3. PACKAGING:
 A. QUANTITY: SINGLE PACK
 B. MARKING: BAG TO BE MARKED
 "AMPHENOL RF, 95-850-188-XXX AND DATE CODE"

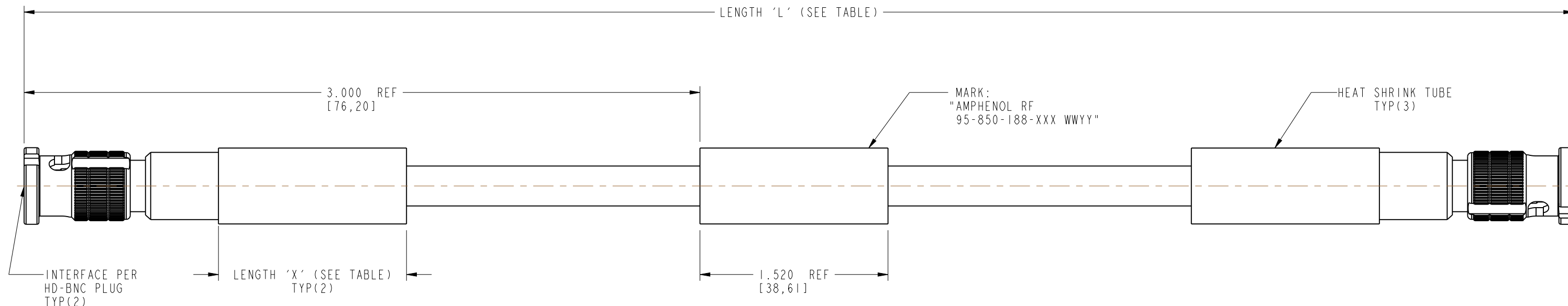
THIRD ANGLE PROJ.

REVISIONS

REV	DESCRIPTION	DATE	ECO	APPR
A	RELEASE TO MFG.	05-May-17	3682	BMG
B	NO CHANGES ON THIS SHEET	14-Jul-17	4381	BMG



SCALE 0.500



LENGTH TABLE			
PART NUMBER (IMPERIAL)	PART NUMBER (METRIC)	LENGTH 'L' IN INCHES [METERS]	LENGTH 'X' IN INCHES [METERS] MIN
95-850-188-006	-	6.00 [0.152]	0.75 [0.019]
-	95-850-188M025	9.84 [0.250]	
95-850-188-012	-	12.00 [0.305]	
95-850-188-018	-	18.00 [0.457]	1.50 [0.038]
-	95-850-188M050	19.69 [0.500]	
95-850-188-024	-	24.00 [0.610]	
-	95-850-188M075	29.53 [0.750]	
95-850-188-036	-	36.00 [0.914]	
-	95-850-188M100	39.37 [1.000]	
95-850-188-048	-	48.00 [1.219]	
-	95-850-188M200	78.74 [2.000]	
-	95-850-188M400	157.48 [4.000]	

TOLERANCE TABLE	
LENGTH IN INCHES/FT [METERS]	TOLERANCE
0" - 23.90" [0 - 0.607]	±0.25" [0.006]
24.00" - 59.00" [0.610 - 1.499]	±0.50" [0.013]
5.0' - 24.9' [1.524 - 7.617]	±2.5%
25.0' & UP [7.620 & UP]	±5.0%

DESIGN REQUIREMENTS:

- FREQUENCY : DC TO 12 GHz CONTINUITY
- VSWR _____ : 1 MAX HI-POT: 250 VRMS
- INS. LOSS : _____ dB MAX OTHER

CUSTOMER OUTLINE DRAWING
 ALL OTHER SHEETS ARE FOR INTERNAL USE ONLY

UNLESS OTHERWISE SPECIFIED, DIMENSIONS ARE IN INCHES AND TOLERANCES ARE: 2 PLACE DECIMAL 3 PLACE DECIMAL ANGLES ±.015 (0,381 mm) ±.005 (0,127 mm) ± 1°	MATERIAL	DRAWN	DATE	TITLE HD-BNC STR PLUG TO HD-BNC STR PLUG USING BELDEN 4855R CABLE, VARIOUS LENGTH SCALE: 2.5:1.0 SHEET 2 OF 2	Amphenol RF www.amphenolrf.com
	SEE NOTES	ANANDH G	24-Mar-17		
NOTICE - These drawings, specifications, or other data (1) are, and remain the property of Amphenol corp. (2) must be returned upon request; and (3) are confidential and not to be disclosed to any person other than those to whom they are given by Amphenol Corp. the furnishing of these drawings, specifications, or other data by Amphenol Corp., or to any other person to anyone for any purpose is not to be regarded by implication or otherwise in any manner licensing, granting rights to permitting such holder or any other person to manufacture, use or sell any product, process or design, patented or otherwise, that may in any way be related to or disclosed by said drawings, specifications, or other data.	REFERENCE	ENGINEER	DATE	DRAWING NO. 95-850-188-XXX ITEM NO. 95-850-188-XXX	
	EAR # 7623	ANANDH G	24-Mar-17		
	CONFIGURATION LEVEL: In Work	APPROVED	DATE		PART NO. 95-850-188-XXX
FINISH	K. CAPOZZI	14-Jul-17			
	CAD FILE			DWG SIZE	REV
				B	B