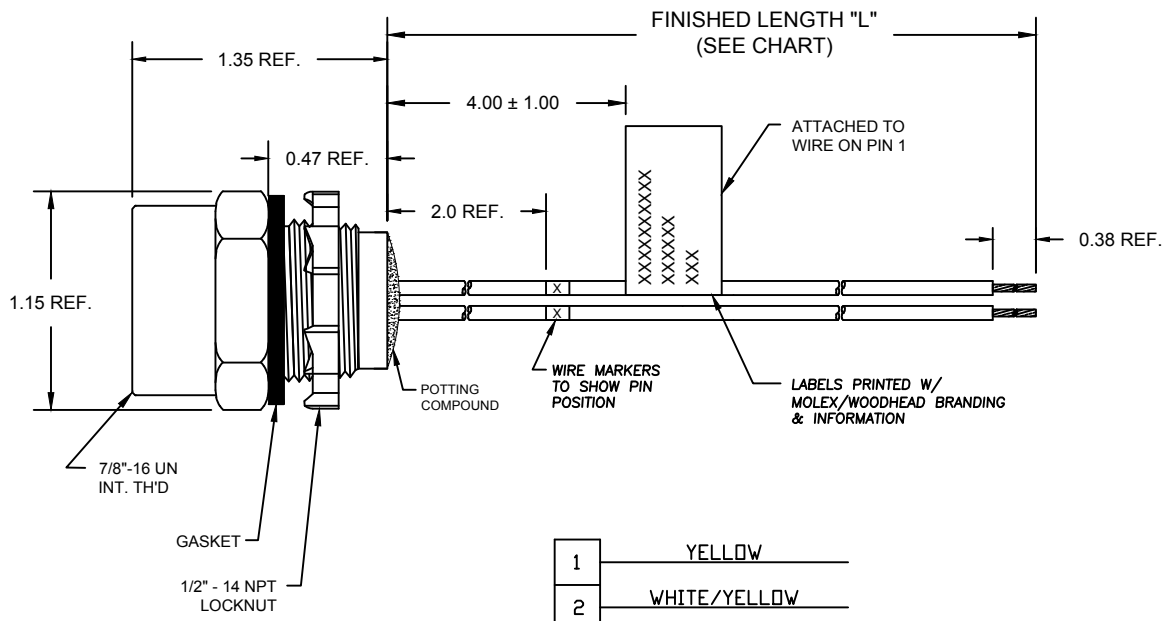


FACE VIEW - FEMALE



1	YELLOW
2	WHITE/YELLOW
3	GREEN
4	RED
5	WHITE

SPECIFICATIONS:

SHELL MATERIAL: NICKEL-PLATED ZINC DIECAST
 CONTACT MATERIAL: GOLD/NICKEL OVER COPPER ALLOY
 INSERT MATERIAL: YELLOW TPE
 LOCKNUT: ZINC-PLATED STEEL
 GASKET: BLACK NEOPRENE

WIRES: #16-1, PVC LEADS
 ASSEMBLY RATING: 600V, 10A
 ENVIRONMENTAL: -20°C TO 105°C
 IP67 WHEN MATED

AGENCY APPROVALS: UL LISTED

MOLEX SAP P/N#	ENGINEERING P/N#	"L" (Meters)	"L" (INCH)	TOLERANCE (INCH)
1300131058	1R5000AA3M020D	2.0 M	78.74"	+3.50"/-0.00"
1300131060	1R5000AA3M040D	4.0 M	157.48"	+6.50"/-0.00"

INITIAL RELEASE EC NO: IFC2012-0406 DRWN: YOU 2010/12/13 CHKD: TWOLDEGE APPR: JFMURPHY 2013/04/05	QUALITY SYMBOLS ▽=0 ▽C=0	GENERAL TOLERANCES (UNLESS SPECIFIED)		DIMENSION STYLE INCH		SCALE 1:1	DESIGN UNITS INCH	THIRD ANGLE PROJECTION		
		4 PLACES	mm	INCH	DRAWN BY YOU	DATE 2010/12/13	TITLE MINI-CHANGE RECEPTACLE 5P F/FR 1/2 NPT MOUNT #16-1 PVC WIRES			
		3 PLACES	±---	±---	CHECKED BY TWOLDEGE	DATE 2013/03/04				
		2 PLACES	±0.13	±0.010	APPROVED BY JFMURPHY		DATE 2013/04/05	MOLEX INCORPORATED DOCUMENT NO. SD-130013-034		
1 PLACE	±0.25	±0.020	MATERIAL NO. SEE CHART		SHEET NO. 1 OF 1					
DRAFT WHERE APPLICABLE MUST REMAIN WITHIN DIMENSIONS		THIS DRAWING CONTAINS INFORMATION THAT IS PROPRIETARY TO MOLEX INCORPORATED AND SHOULD NOT BE USED WITHOUT WRITTEN PERMISSION								