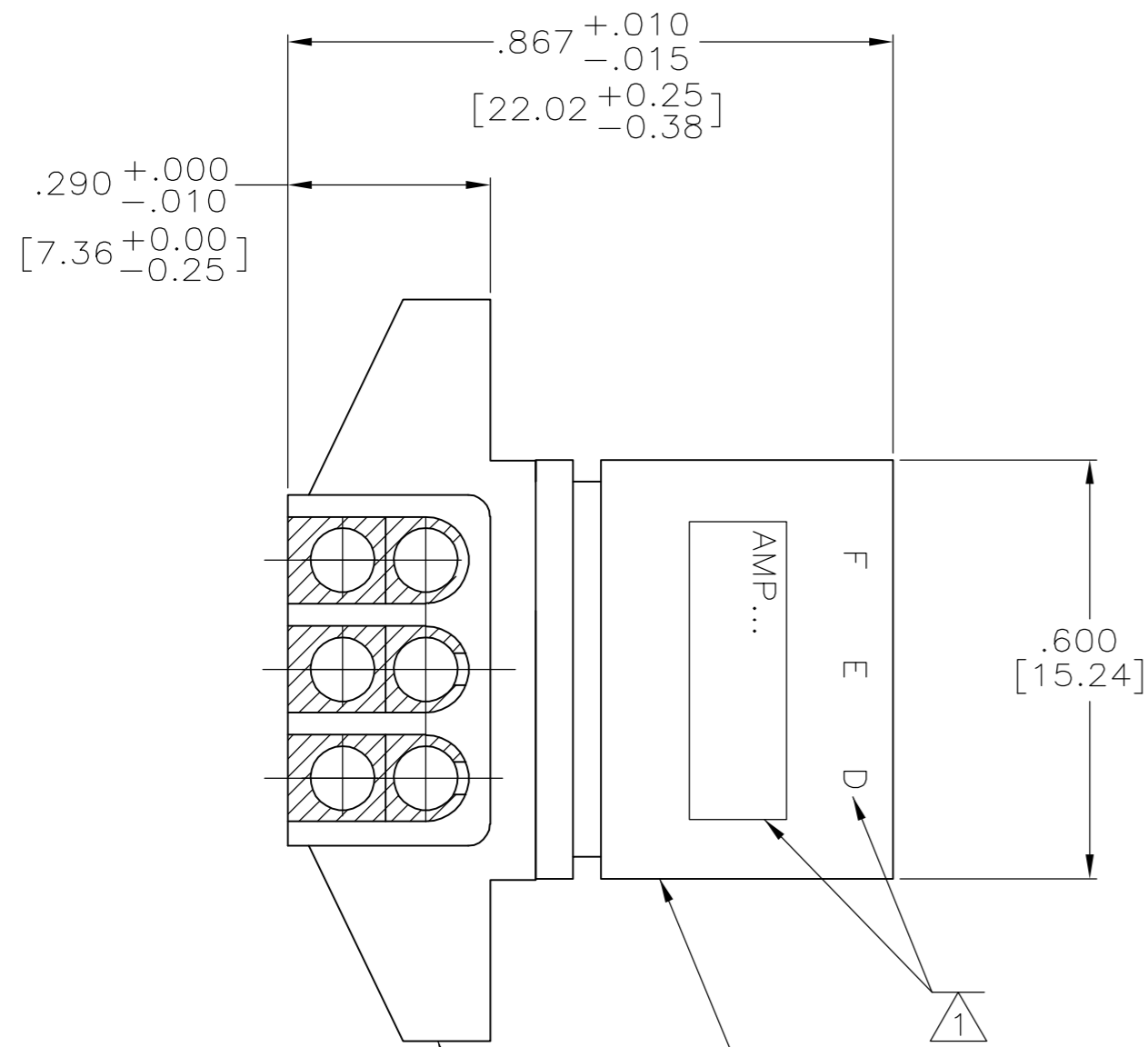


THIS DRAWING IS UNPUBLISHED. RELEASED FOR PUBLICATION - .N/A .
 © COPYRIGHT N/A BY TYCO ELECTRONICS CORPORATION. ALL RIGHTS RESERVED.

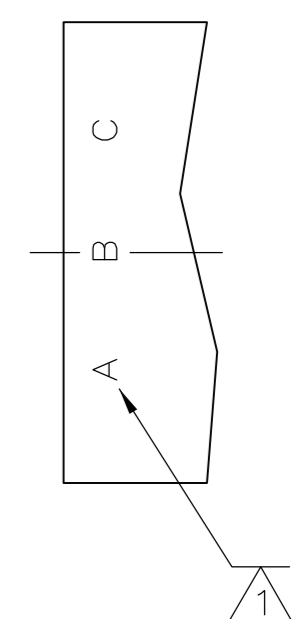
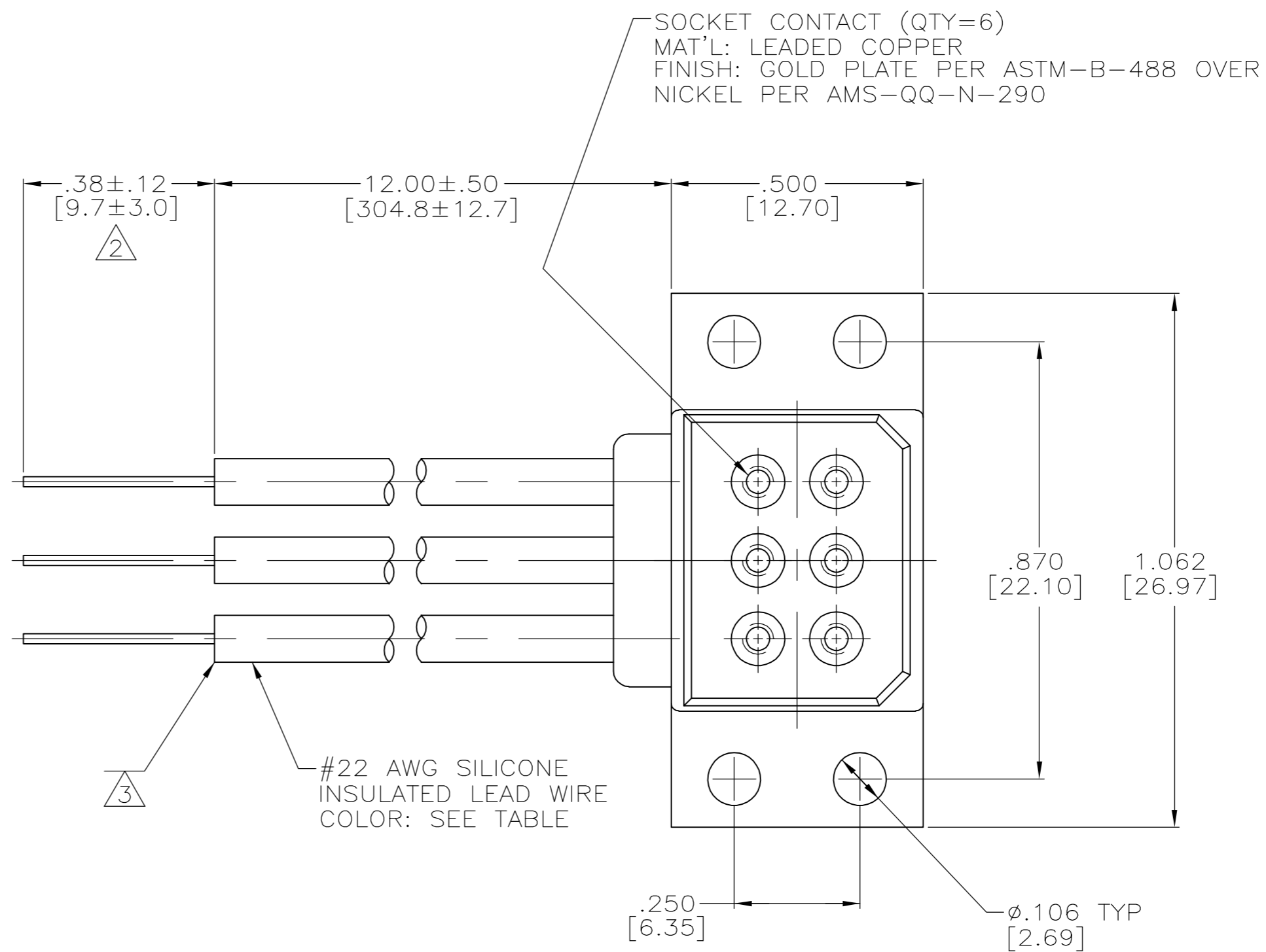
LOC		DIST		REVISIONS			
P	LTR	DESCRIPTION		DATE	DWN	APVD	
	A	REV PER ECO-05-003302		08-05	AA	DE	

CAVITY IDENT	LEAD COLOR
A	BROWN
B	RED
C	GREEN
D	BLUE
E	BLACK
F	WHITE

- ① CAVITY I.D. AND AMP INFO. MARKED PER MIL-STD-130.
- ② PIGTAILS ARE SOLDER DIPPED. (443832-1 ONLY)
- ③ INSULATION CUT, BUT NOT REMOVED. (5-443832-1 ONLY)



RCPT. SHELL
 MAT'L: POLYESTER MLDG. CMPD.
 POTTING SHELL W/ MOUNTING FLANGE
 MAT'L: POLYESTER MLDG. CMPD.



5-443832-1
 443832-1
 PART NO.

THIS DRAWING IS A CONTROLLED DOCUMENT.		DWN C.C.THOMAS 02-MAY-96	tyco Electronics	Tyco Electronics Corporation Harrisburg, Pa 17105-3608	
DIMENSIONS: INCHES [mm]		CHK C.SHELLY 13-MAY-96		NAME RECEPTACLE ASSY RT ANGLE, 6 POSN SUBMINIATURE, LGH	
TOLERANCES UNLESS OTHERWISE SPECIFIED: 0 PLC \pm - 1 PLC \pm - 2 PLC \pm .03 [0.8] 3 PLC \pm .015 [0.38] 4 PLC \pm - ANGLES \pm - FINISH SEE TABLE		APVD C.SHELLY 13-MAY-96	PRODUCT SPEC APPLICATION SPEC WEIGHT -		
MATERIAL SEE TABLE		SIZE A2		CAGE CODE 00779	DRAWING NO C=443832
		CUSTOMER DRAWING		SCALE 4:1	SHEET 1 OF 1
				RESTRICTED TO -	REV A

443832