

BPDx Series



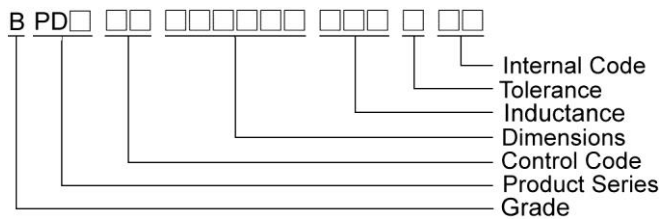
Features

- RoHS, Halogen Free and REACH Compliance
- Magnetic shielded
- Various package size and wide inductance range

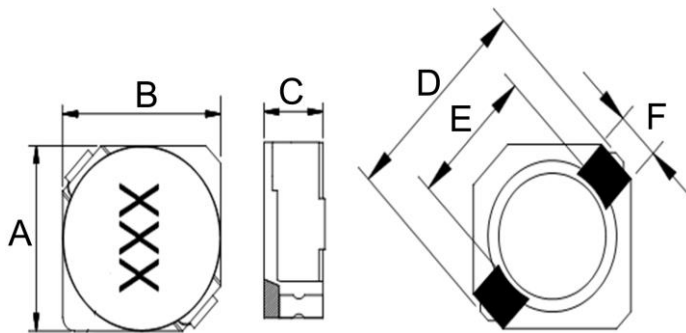
Applications

- AP Routers
- STBs
- LCD TVs and monitors
- Game consoles
- LED lightings
- DC/DC converters

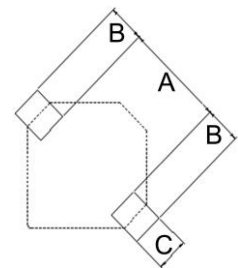
Product Identification



Shape and Dimensions



Recommended Pattern

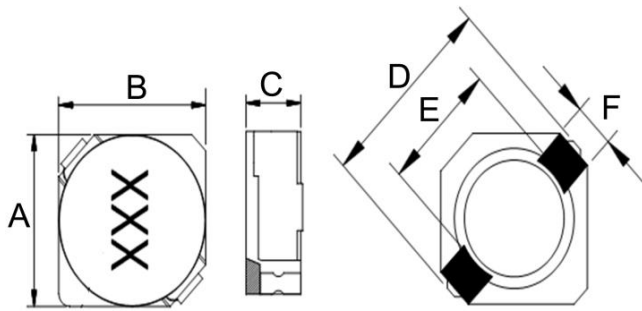


Dimensions in mm

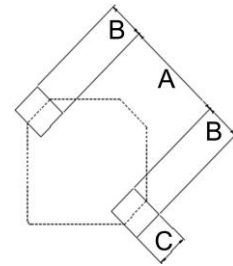
| TYPE | Shape and Dimensions | | | | | | Recommended Pattern | | |
|--------------|----------------------|---------|---------|--------|-----|-----|---------------------|-----|-----|
| | A | B | C | D | E | F | A | B | C |
| BPDC00030310 | 3.0±0.2 | 3.0±0.2 | 1.0Max | 4.5Max | 2.1 | 1.0 | 1.7 | 1.3 | 1.3 |
| BPDL00030312 | 3.0±0.2 | 3.0±0.2 | 1.2Max | 4.5Max | 2.1 | 1.0 | 1.7 | 1.3 | 1.3 |
| BPDS00030316 | 3.0±0.2 | 3.0±0.2 | 1.55Max | 4.5Max | 2.1 | 1.0 | 1.7 | 1.3 | 1.3 |
| BPDx00030320 | 3.0±0.2 | 3.0±0.2 | 2.0Max | 4.5Max | 2.1 | 1.0 | 1.7 | 1.3 | 1.3 |

SMD Shielded Power Inductors – BPDx Series

Shape and Dimensions

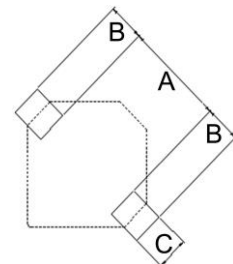
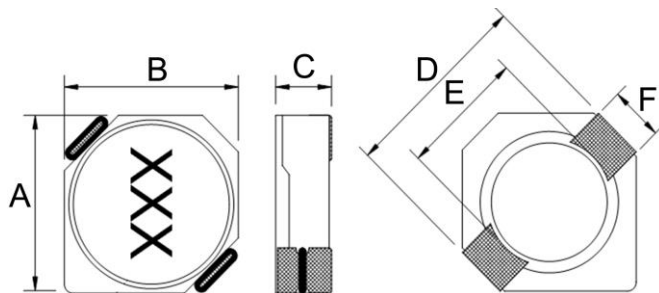


Recommended Pattern



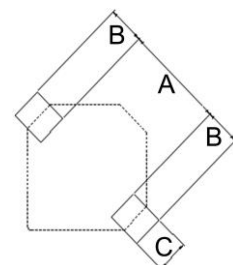
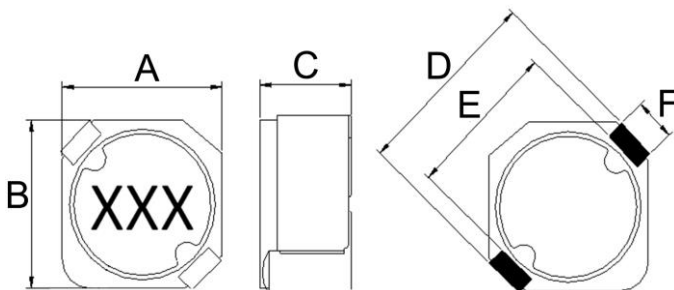
Dimensions in mm

| TYPE | Shape and Dimensions | | | | | | Recommended Pattern | | |
|---------------------------|----------------------|---------|--------|---------|-----|-----|---------------------|-----|-----|
| | A | B | C | D | E | F | A | B | C |
| BPDx00040415 | 3.8±0.2 | 3.8±0.2 | 1.5Max | 5.2Max | 2.8 | 1.1 | 2.4 | 1.4 | 1.5 |
| BPDH00040418 (1R0~4R7) | 3.8±0.2 | 3.8±0.2 | 1.5Max | 5.4Max | 2.8 | 1.1 | 2.4 | 1.4 | 1.5 |
| BPDH00040418 (6R8~561) | 3.8±0.2 | 3.8±0.2 | 1.5Max | 5.2Max | 2.8 | 1.1 | 2.4 | 1.4 | 1.5 |
| BPDN00040423 | 3.8±0.2 | 3.8±0.2 | 2.3Max | 5.0±0.4 | 2.8 | 1.1 | 2.4 | 1.4 | 1.5 |
| BPDN00040430 | 3.8±0.2 | 3.8±0.2 | 3.0Max | 5.4Max | 2.8 | 1.1 | 2.4 | 1.4 | 1.5 |



Dimensions in mm

| TYPE | Shape and Dimensions | | | | | | Recommended Pattern | | |
|--------------|----------------------|---------|--------|--------|-----|-----|---------------------|------|-----|
| | A | B | C | D | E | F | A | B | C |
| BPDH00040412 | 3.8±0.2 | 3.8±0.2 | 1.2Max | 5.2Max | 2.8 | 1.1 | 2.4 | 1.4 | 1.5 |
| BPDH00060618 | 5.6±0.2 | 5.6±0.2 | 1.8Max | 7.0Max | 4.7 | 1.2 | 4.3 | 1.45 | 1.6 |

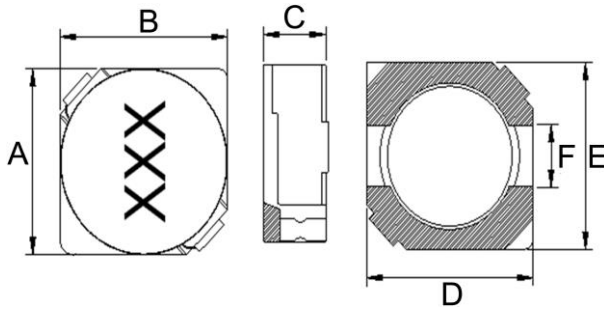


Dimensions in mm

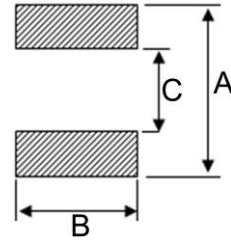
| TYPE | Shape and Dimensions | | | | | | Recommended Pattern | | |
|--------------|----------------------|--------|--------|--------|-----|-----|---------------------|------|---|
| | A | B | C | D | E | F | A | B | C |
| BPDC00050520 | 5.1Max | 5.1Max | 2.0Max | 6.2Max | 4.4 | 1.4 | 4 | 1.25 | 2 |
| BPDC00050530 | 5.1Max | 5.1Max | 3.0Max | 6.2Max | 4.4 | 1.4 | 4 | 1.25 | 2 |

SMD Shielded Power Inductors – BPDx Series

Shape and Dimensions



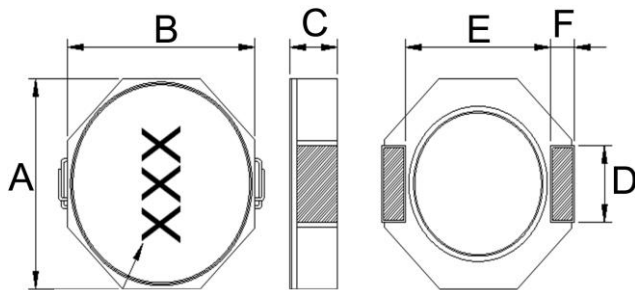
Recommended Pattern



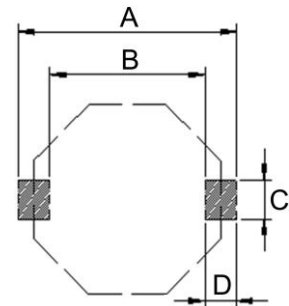
Dimensions in mm

| TYPE | Shape and Dimensions | | | | | | Recommended Pattern | | |
|--------------|----------------------|---------|---------|-----|-----|-----|---------------------|-----|-----|
| | A | B | C | D | E | F | A | B | C |
| BPDR00040416 | 3.8±0.2 | 3.8±0.2 | 1.6±0.3 | 3.7 | 3.7 | 1.2 | 4.4 | 4.4 | 1.2 |
| BPDR00050520 | 4.7±0.3 | 4.7±0.3 | 2.0Max | 4.5 | 4.5 | 1.5 | 5.3 | 5.3 | 1.5 |
| BPDR00050530 | 4.7±0.3 | 4.7±0.3 | 3.0Max | 4.5 | 4.5 | 1.5 | 5.3 | 5.3 | 1.5 |
| BPDR00060620 | 5.7±0.3 | 5.7±0.3 | 2.0Max | 5.5 | 5.5 | 2.0 | 6.3 | 6.3 | 2.0 |
| BPDR00060630 | 5.7±0.3 | 5.7±0.3 | 3.0Max | 5.5 | 5.5 | 2.0 | 6.3 | 6.3 | 2.0 |
| BPDR00060655 | 5.7±0.3 | 5.7±0.3 | 5.5Max | 5.5 | 5.5 | 2.0 | 6.3 | 6.3 | 2.0 |
| BPDx00070730 | 6.7±0.3 | 6.7±0.3 | 3.0Max | 6.5 | 6.5 | 2.0 | 7.3 | 7.3 | 2.0 |
| BPDR00070740 | 6.7±0.3 | 6.7±0.3 | 4.0Max | 6.5 | 6.5 | 2.0 | 7.3 | 7.3 | 2.0 |

Shape and Dimensions



Recommended Pattern



Dimensions in mm

| TYPE | Shape and Dimensions | | | | | | Recommended Pattern | | | |
|--------------|----------------------|---------|--------|-----|-----|-----|---------------------|-----|-----|---|
| | A | B | C | D | E | F | A | B | C | D |
| BPDR00080830 | 8.0±0.2 | 8.0±0.2 | 3.0Max | 2.5 | 6.3 | 1.2 | 10.1 | 6.1 | 2.8 | 2 |
| BPDR00080840 | 8.0±0.2 | 8.0±0.2 | 4.0Max | 2.5 | 6.3 | 1.2 | 10.1 | 6.1 | 2.8 | 2 |
| BPDR00080845 | 8.0±0.2 | 8.0±0.2 | 4.5Max | 2.5 | 6.3 | 1.2 | 10.1 | 6.1 | 2.8 | 2 |

SMD Shielded Power Inductors – BPDC Series

Standard Specifications

| Part Number | Inductance (uH) | Tolerance (±%) | Test Frequency (kHz) | RDC (Ω)Max | Isat (A)Max | Irms (A)Typ | Marking |
|--------------------|-----------------|----------------|----------------------|------------|-------------|-------------|---------|
| BPDC000303101R2□00 | 1.2 | 20,30 | 100 | 0.078 | 0.83 | 1.55 | 1R2 |
| BPDC000303101R5□00 | 1.5 | 20,30 | 100 | 0.088 | 0.70 | 1.35 | 1R5 |
| BPDC000303102R2□00 | 2.2 | 20,30 | 100 | 0.119 | 0.60 | 1.20 | 2R2 |
| BPDC000303102R4□00 | 2.4 | 20,30 | 100 | 0.119 | 0.58 | 1.10 | 2R4 |
| BPDC000303103R3□00 | 3.3 | 20,30 | 100 | 0.174 | 0.50 | 0.90 | 3R3 |
| BPDC000303104R7□00 | 4.7 | 20,30 | 100 | 0.238 | 0.38 | 0.80 | 4R7 |
| BPDC000303106R4□00 | 6.4 | 20,30 | 100 | 0.29 | 0.36 | 0.65 | 6R4 |
| BPDC000303108R2□00 | 8.2 | 20,30 | 100 | 0.40 | 0.31 | 0.56 | 8R2 |
| BPDC0003031010□00 | 10 | 20,30 | 100 | 0.50 | 0.30 | 0.51 | 100 |
| BPDC00030310120□00 | 12 | 20,30 | 100 | 0.55 | 0.27 | 0.45 | 120 |
| BPDC00030310150□00 | 15 | 20,30 | 100 | 0.65 | 0.24 | 0.42 | 150 |
| BPDC00030310180□00 | 18 | 20,30 | 100 | 0.77 | 0.22 | 0.38 | 180 |
| BPDC00030310220□00 | 22 | 20,30 | 100 | 0.94 | 0.20 | 0.35 | 220 |
| BPDC00030310270□00 | 27 | 20,30 | 100 | 1.11 | 0.16 | 0.32 | 270 |

Note: When ordering, please specify tolerance code. Tolerance: M=±20% , T=±30%

- Operating temperature range - 40°C ~ 125°C(Including self - temperature rise)
- Isat for Inductance drop 35% from its value without current
- I rms for a 40°C temperature rise from 25°C ambient with current
- Rated DC Current : The less value which is Isat or I rms

SMD Shielded Power Inductors – BPDC Series

Standard Specifications

| Part Number | Inductance (uH) | Tolerance (±%) | Test Frequency (kHz) | RDC (Ω)Max | Rated Current (A)Max | Marking |
|--------------------|-----------------|----------------|----------------------|------------|----------------------|---------|
| BPDC000505201R1□00 | 1.1 | 30 | 100 | 0.029 | 2.4 | 1R1 |
| BPDC000505201R2□00 | 1.2 | 30 | 100 | 0.029 | 2.4 | 1R2 |
| BPDC000505202R2□00 | 2.2 | 20,30 | 100 | 0.039 | 1.7 | 2R2 |
| BPDC000505203R0□00 | 3.0 | 30 | 100 | 0.061 | 1.5 | 3R0 |
| BPDC000505203R3□00 | 3.3 | 20,30 | 100 | 0.061 | 1.5 | 3R3 |
| BPDC000505204R7□00 | 4.7 | 20,30 | 100 | 0.110 | 1.15 | 4R7 |
| BPDC000505206R8□00 | 6.8 | 30 | 100 | 0.125 | 1.05 | 6R8 |
| BPDC00050520100□00 | 10 | 20,30 | 100 | 0.156 | 0.83 | 100 |
| BPDC00050520150□00 | 15 | 20,30 | 100 | 0.194 | 0.70 | 150 |
| BPDC00050520220□00 | 22 | 20,30 | 100 | 0.323 | 0.60 | 220 |
| BPDC00050520330□00 | 33 | 20,30 | 100 | 0.550 | 0.46 | 330 |
| BPDC00050520470□00 | 47 | 20,30 | 100 | 0.783 | 0.41 | 470 |
| BPDC00050520680□00 | 68 | 20,30 | 100 | 1.16 | 0.305 | 680 |
| BPDC00050520101□00 | 100 | 20,30 | 100 | 1.51 | 0.250 | 101 |

Note: When ordering, please specify tolerance code. Tolerance: M=±20% , T=±30%

- Operating temperature range - 40°C ~ 125°C(Including self - temperature rise)
- Rated Current : Based on inductance change ($\Delta L/L_0$: drop 35% Max.) @ ambient temp. 25°C and Based on temperature rise (ΔT : 40°C Typ.)

SMD Shielded Power Inductors – BPDC Series

Standard Specifications

| Part Number | Inductance (uH) | Tolerance (±%) | Test Frequency (kHz) | RDC (Ω)Max | Rated Current (A)Max | Marking |
|--------------------|-----------------|----------------|----------------------|------------|----------------------|---------|
| BPDC000505301R1□00 | 1.1 | 30 | 100 | 0.022 | 3.8 | 1R1 |
| BPDC000505302R0□00 | 2.0 | 20,30 | 100 | 0.029 | 2.6 | 2R0 |
| BPDC000505303R2□00 | 3.2 | 30 | 100 | 0.042 | 2.3 | 3R2 |
| BPDC000505304R7□00 | 4.7 | 20,30 | 100 | 0.063 | 1.8 | 4R7 |
| BPDC000505306R3□00 | 6.3 | 30 | 100 | 0.094 | 1.3 | 6R3 |
| BPDC00050530100□00 | 10 | 20,30 | 100 | 0.106 | 1.26 | 100 |
| BPDC00050530150□00 | 15 | 20,30 | 100 | 0.137 | 1.05 | 150 |
| BPDC00050530220□00 | 22 | 20,30 | 100 | 0.207 | 0.85 | 220 |
| BPDC00050530330□00 | 33 | 20,30 | 100 | 0.331 | 0.70 | 330 |
| BPDC00050530470□00 | 47 | 20,30 | 100 | 0.510 | 0.54 | 470 |
| BPDC00050530680□00 | 68 | 20,30 | 100 | 0.625 | 0.49 | 680 |
| BPDC00050530101□00 | 100 | 20,30 | 100 | 0.948 | 0.40 | 101 |

Note: When ordering, please specify tolerance code. Tolerance: M=±20% , T=±30%

- Operating temperature range - 40°C ~ 125°C(Including self - temperature rise)
- Rated Current : Based on inductance change ($\Delta L/L_0$: drop 35% Max.) @ ambient temp. 25°C and Based on temperature rise (ΔT : 40°C Typ.)

SMD Shielded Power Inductors – BPDH Series

Standard Specifications

| Part Number | Inductance (uH) | Tolerance (±%) | Test Frequency (kHz) | RDC (Ω)Max | Isat (A)Max | Irms (A)Typ | Marking |
|--------------------|-----------------|----------------|----------------------|------------|-------------|-------------|---------|
| BPDH000303201R3□00 | 1.3 | 30 | 100 | 0.044 | 1.90 | 2.5 | 1R3 |
| BPDH000303201R5□00 | 1.5 | 30 | 100 | 0.044 | 1.85 | 2.2 | 1R5 |
| BPDH000303201R7□00 | 1.7 | 30 | 100 | 0.044 | 1.85 | 2.2 | 1R7 |
| BPDH000303202R2□00 | 2.2 | 20,30 | 100 | 0.060 | 1.60 | 1.9 | 2R2 |
| BPDH000303203R3□00 | 3.3 | 20,30 | 100 | 0.086 | 1.45 | 1.55 | 3R3 |
| BPDH000303203R9□00 | 3.9 | 30 | 100 | 0.125 | 1.30 | 1.35 | 3R9 |
| BPDH000303204R7□00 | 4.7 | 20,30 | 100 | 0.140 | 1.20 | 1.20 | 4R7 |
| BPDH000303206R3□00 | 6.3 | 20,30 | 100 | 0.160 | 1.05 | 1.15 | 6R3 |
| BPDH0003032010□00 | 10 | 20,30 | 100 | 0.245 | 0.85 | 0.90 | 100 |
| BPDH00030320150□00 | 15 | 20,30 | 100 | 0.345 | 0.7 | 0.64 | 150 |
| BPDH00030320470□00 | 47 | 20,30 | 100 | 1.1 | 0.4 | 0.40 | 470 |

Note: When ordering, please specify tolerance code. Tolerance: M=±20% , T=±30%

- Operating temperature range - 40°C ~ 125°C(Including self - temperature rise)
- Isat for Inductance drop 35% from its value without current
- Irms for a 40°C temperature rise from 25°C ambient with current
- Rated DC Current : The less value which is Isat or Irms

SMD Shielded Power Inductors – BPDH Series

Standard Specifications

| Part Number | Inductance (uH) | Tolerance (±%) | Test Frequency (kHz) | RDC (Ω)Max | Isat (A)Max | Irms (A)Typ | Marking |
|--------------------|-----------------|----------------|----------------------|------------|-------------|-------------|---------|
| BPDH00040412R60□00 | 0.6 | 30 | 100 | 0.059 | 2.9 | 1.80 | R60 |
| BPDH000404121R2□00 | 1.2 | 30 | 100 | 0.082 | 2.0 | 1.70 | 1R2 |
| BPDH000404121R5□00 | 1.5 | 30 | 100 | 0.104 | 1.85 | 1.45 | 1R5 |
| BPDH000404122R2□00 | 2.2 | 30 | 100 | 0.143 | 1.60 | 1.15 | 2R2 |
| BPDH000404122R5□00 | 2.5 | 20,30 | 100 | 0.150 | 1.55 | 1.10 | 2R5 |
| BPDH000404123R3□00 | 3.3 | 30 | 100 | 0.182 | 1.25 | 0.95 | 3R3 |
| BPDH000404124R7□00 | 4.7 | 20,30 | 100 | 0.234 | 1.00 | 0.90 | 4R7 |
| BPDH000404125R6□00 | 5.6 | 20,30 | 100 | 0.305 | 0.93 | 0.80 | 5R6 |
| BPDH000404126R8□00 | 6.8 | 30 | 100 | 0.377 | 0.85 | 0.70 | 6R8 |
| BPDH00040412100□00 | 10 | 20,30 | 100 | 0.413 | 0.80 | 0.60 | 100 |
| BPDH00040412120□00 | 12 | 20,30 | 100 | 0.585 | 0.64 | 0.48 | 120 |
| BPDH00040412150□00 | 15 | 20,30 | 100 | 0.653 | 0.58 | 0.45 | 150 |
| BPDH00040412180□00 | 18 | 20,30 | 100 | 0.888 | 0.52 | 0.40 | 180 |
| BPDH00040412220□00 | 22 | 20,30 | 100 | 1.012 | 0.45 | 0.33 | 220 |

Note: When ordering, please specify tolerance code. Tolerance: M=±20% , T=±30%

- Operating temperature range - 40°C ~ 125°C(Including self - temperature rise)
- Isat for Inductance drop 35% from its value without current
- I rms for a 40°C temperature rise from 25°C ambient with current
- Rated DC Current : The less value which is Isat or I rms

SMD Shielded Power Inductors – BPDH Series

Standard Specifications

| Part Number | Inductance (uH) | Tolerance (±%) | Test Frequency (kHz) | RDC (Ω)Max | Isat (A)Max | Irms (A)Typ | Marking |
|--------------------|-----------------|----------------|----------------------|------------|-------------|-------------|---------|
| BPDH000404151R5□00 | 1.5 | 25,30 | 100 | 0.076 | 2.6 | 1.85 | 1R5 |
| BPDH000404152R2□00 | 2.2 | 30 | 100 | 0.129 | 2.0 | 1.32 | 2R2 |
| BPDH000404152R4□00 | 2.4 | 30 | 100 | 0.129 | 2.0 | 1.32 | 2R4 |
| BPDH000404153R2□00 | 3.2 | 30 | 100 | 0.139 | 1.8 | 1.25 | 3R2 |
| BPDH000404154R7□00 | 4.7 | 20,25,30 | 100 | 0.214 | 1.45 | 1.04 | 4R7 |
| BPDH000404156R8□00 | 6.8 | 20,25,30 | 100 | 0.29 | 1.20 | 0.84 | 6R8 |
| BPDH00040415100□00 | 10 | 20,25,30 | 100 | 0.44 | 1.00 | 0.67 | 100 |
| BPDH00040415150□00 | 15 | 20,30 | 100 | 0.65 | 0.80 | 0.50 | 150 |
| BPDH00040415180□00 | 18 | 20,30 | 100 | 0.74 | 0.73 | 0.49 | 180 |
| BPDH00040415220□00 | 22 | 20,25,30 | 100 | 0.83 | 0.65 | 0.48 | 220 |

Note: When ordering, please specify tolerance code. Tolerance: M=±20% , Y=±25% , T=±30%

- Operating temperature range - 40°C ~ 125°C(Including self - temperature rise)
- Isat for Inductance drop 35% from its value without current
- I rms for a 40°C temperature rise from 25°C ambient with current
- Rated DC Current : The less value which is Isat or I rms

SMD Shielded Power Inductors – BPDH Series

Standard Specifications

| Part Number | Inductance (uH) | Tolerance (±%) | Test Frequency (kHz) | RDC (Ω)Max | Isat (A)Max | Irms (A)Typ | Marking |
|--------------------|-----------------|----------------|----------------------|------------|-------------|-------------|---------|
| BPDH000404181R0□00 | 1.0 | 30 | 100 | 0.048 | 2.5 | 2.8 | 1R0 |
| BPDH000404181R2□00 | 1.2 | 30 | 100 | 0.0495 | 2.3 | 2.6 | 1R2 |
| BPDH000404181R5□00 | 1.5 | 30 | 100 | 0.051 | 2.0 | 2.4 | 1R5 |
| BPDH000404181R7□00 | 1.7 | 30 | 100 | 0.051 | 2.0 | 2.4 | 1R7 |
| BPDH000404182R2□00 | 2.2 | 20,30 | 100 | 0.059 | 1.75 | 2.3 | 2R2 |
| BPDH000404183R3□00 | 3.3 | 20,30 | 100 | 0.085 | 1.4 | 1.8 | 3R3 |
| BPDH000404184R7□00 | 4.7 | 20,30 | 100 | 0.116 | 1.2 | 1.5 | 4R7 |
| BPDH000404186R8□00 | 6.8 | 20,30 | 100 | 0.18 | 1.0 | 1.1 | 6R8 |
| BPDH00040418100□00 | 10 | 20,30 | 100 | 0.23 | 0.84 | 1.0 | 100 |
| BPDH00040418150□00 | 15 | 20,30 | 100 | 0.41 | 0.65 | 0.75 | 150 |
| BPDH00040418220□00 | 22 | 20,30 | 100 | 0.61 | 0.55 | 0.52 | 220 |
| BPDH00040418330□00 | 33 | 20,30 | 100 | 0.87 | 0.46 | 0.41 | 330 |
| BPDH00040418470□00 | 47 | 20,30 | 100 | 0.95 | 0.42 | 0.37 | 470 |
| BPDH00040418561□00 | 560 | 20,30 | 100 | 15 | 0.09 | 0.11 | 561 |

Note: When ordering, please specify tolerance code. Tolerance: M=±20% , T=±30%

- Operating temperature range - 40°C ~ 125°C(Including self - temperature rise)
- Isat for Inductance drop 35% from its value without current
- I rms for a 40°C temperature rise from 25°C ambient with current
- Rated DC Current : The less value which is Isat or I rms

SMD Shielded Power Inductors – BPDH Series

Standard Specifications

| Part Number | Inductance (uH) | Tolerance (±%) | Test Frequency (kHz) | RDC (Ω)Max | Isat (A)Max | Irms (A)Typ | Marking |
|--------------------|-----------------|----------------|----------------------|------------|-------------|-------------|---------|
| BPDH00060618R90□00 | 0.9 | 30 | 100 | 0.022 | 4.7 | 5.0 | R90 |
| BPDH000606182R2□00 | 2.2 | 20,30 | 100 | 0.0359 | 3.0 | 2.9 | 2R2 |
| BPDH000606184R7□00 | 4.7 | 20,30 | 100 | 0.0641 | 2.1 | 2.1 | 4R7 |
| BPDH00060618100□00 | 10 | 20,30 | 100 | 0.14 | 1.45 | 1.3 | 100 |
| BPDH00060618150□00 | 15 | 20,30 | 100 | 0.24 | 1.10 | 1.1 | 150 |
| BPDH00060618220□00 | 22 | 20,30 | 100 | 0.32 | 0.95 | 0.8 | 220 |

Note: When ordering, please specify tolerance code. Tolerance: M=±20% , T=±30%

- Operating temperature range - 40°C ~ 125°C(Including self - temperature rise)
- Isat for Inductance drop 35% from its value without current
- Irms for a 40°C temperature rise from 25°C ambient with current
- Rated DC Current : The less value which is Isat or Irms

SMD Shielded Power Inductors – BPDH Series

Standard Specifications

| Part Number | Inductance (uH) | Tolerance (±%) | Test Frequency (kHz) | RDC (Ω)Max | Isat (A)Max | Irms (A)Typ | Marking |
|--------------------|-----------------|----------------|----------------------|------------|-------------|-------------|---------|
| BPDH000707304R7□00 | 4.7 | 20,30 | 100 | 0.042 | 3.5 | 3.5 | 4R7 |
| BPDH00070730100□00 | 10 | 20,30 | 100 | 0.085 | 2.3 | 2.3 | 100 |
| BPDH00070730150□00 | 15 | 20,30 | 100 | 0.128 | 2.0 | 1.45 | 150 |
| BPDH00070730220□00 | 22 | 20,30 | 100 | 0.174 | 1.7 | 1.2 | 220 |
| BPDH00070730330□00 | 33 | 20,30 | 100 | 0.250 | 1.5 | 1.1 | 330 |

Note: When ordering, please specify tolerance code. Tolerance: M=±20% , T=±30%

- Operating temperature range - 40°C ~ 125°C(Including self - temperature rise)
- Isat for Inductance drop 35% from its value without current
- Irms for a 40°C temperature rise from 25°C ambient with current
- Rated DC Current : The less value which is Isat or Irms

SMD Shielded Power Inductors – BPDF Series

Standard Specifications

| Part Number | Inductance (uH) | Tolerance (±%) | Test Frequency (kHz) | RDC (Ω)Max | Isat (A)Max | Irms (A)Typ | Marking |
|--------------------|-----------------|----------------|----------------------|------------|-------------|-------------|---------|
| BPDF000303121R5□00 | 1.5 | 30 | 100 | 0.068 | 0.90 | 1.48 | 1R5 |
| BPDF000303122R2□00 | 2.2 | 30 | 100 | 0.098 | 0.78 | 1.27 | 2R2 |
| BPDF000303123R3□00 | 3.3 | 30 | 100 | 0.123 | 0.60 | 1.02 | 3R3 |
| BPDF000303124R7□00 | 4.7 | 20,30 | 100 | 0.17 | 0.50 | 0.88 | 4R7 |
| BPDF000303126R8□00 | 6.8 | 30 | 100 | 0.26 | 0.44 | 0.80 | 6R8 |
| BPDF00030312100□00 | 10 | 20,30 | 100 | 0.40 | 0.35 | 0.65 | 100 |
| BPDF00030312150□00 | 15 | 20,30 | 100 | 0.52 | 0.31 | 0.60 | 150 |
| BPDF00030312220□00 | 22 | 20,30 | 100 | 0.67 | 0.27 | 0.55 | 220 |
| BPDF00030312330□00 | 33 | 20,30 | 100 | 1.00 | 0.22 | 0.40 | 330 |

Note: When ordering, please specify tolerance code. Tolerance: M=±20% , T=±30%

- Operating temperature range - 40°C ~ 125°C(Including self - temperature rise)
- Isat for Inductance drop 35% from its value without current
- I rms for a 40°C temperature rise from 25°C ambient with current
- Rated DC Current : The less value which is Isat or I rms

SMD Shielded Power Inductors – BPDF Series

Standard Specifications

| Part Number | Inductance (uH) | Tolerance (±%) | Test Frequency (kHz) | RDC (Ω)Max | Isat (A)Max | Irms (A)Typ | Marking |
|--------------------|-----------------|----------------|----------------------|------------|-------------|-------------|---------|
| BPDF000303202R2□00 | 2.2 | 20,30 | 100 | 0.041 | 0.85 | 2.3 | 2R2 |
| BPDF000303203R3□00 | 3.3 | 20,30 | 100 | 0.054 | 0.75 | 2.1 | 3R3 |
| BPDF000303204R7□00 | 4.7 | 30 | 100 | 0.078 | 0.63 | 1.65 | 4R7 |
| BPDF000303206R8□00 | 6.8 | 30 | 100 | 0.106 | 0.52 | 1.32 | 6R8 |
| BPDF0003032010□00 | 10 | 20,30 | 100 | 0.18 | 0.43 | 1.00 | 10 |
| BPDF0003032015□00 | 15 | 30 | 100 | 0.22 | 0.35 | 0.80 | 15 |
| BPDF0003032022□00 | 22 | 20,30 | 100 | 0.32 | 0.30 | 0.68 | 22 |
| BPDF0003032033□00 | 33 | 20,30 | 100 | 0.46 | 0.24 | 0.56 | 33 |
| BPDF0003032047□00 | 47 | 20,30 | 100 | 0.66 | 0.20 | 0.48 | 47 |

Note: When ordering, please specify tolerance code. Tolerance: M=±20% , T=±30%

- Operating temperature range - 40°C ~ 125°C(Including self - temperature rise)
- Isat for Inductance drop 35% from its value without current
- Irms for a 40°C temperature rise from 25°C ambient with current
- Rated DC Current : The less value which is Isat or Irms

SMD Shielded Power Inductors – BPDF Series

Standard Specifications

| Part Number | Inductance (uH) | Tolerance (±%) | Test Frequency (kHz) | RDC (Ω)Max | Isat (A)Max | Irms (A)Typ | Marking |
|--------------------|-----------------|----------------|----------------------|------------|-------------|-------------|---------|
| BPDF000404151R2□00 | 1.2 | 30 | 100 | 0.038 | 1.50 | 2.7 | 1R2 |
| BPDF000404151R5□00 | 1.5 | 30 | 100 | 0.048 | 1.35 | 2.4 | 1R5 |
| BPDF000404152R0□00 | 2.0 | 30 | 100 | 0.055 | 1.15 | 2.2 | 2R0 |
| BPDF000404152R2□00 | 2.2 | 20,30 | 100 | 0.055 | 1.15 | 2.2 | 2R2 |
| BPDF000404152R5□00 | 2.5 | 30 | 100 | 0.068 | 1.05 | 1.9 | 2R5 |
| BPDF000404153R0□00 | 3.0 | 30 | 100 | 0.077 | 0.95 | 1.6 | 3R0 |
| BPDF000404153R9□00 | 3.9 | 30 | 100 | 0.096 | 0.80 | 1.5 | 3R9 |
| BPDF000404154R5□00 | 4.5 | 30 | 100 | 0.105 | 0.75 | 1.45 | 4R5 |
| BPDF000404155R6□00 | 5.6 | 30 | 100 | 0.159 | 0.70 | 1.10 | 5R6 |
| BPDF000404156R8□00 | 6.8 | 30 | 100 | 0.173 | 0.60 | 1.05 | 6R8 |
| BPDF0004041510□00 | 10 | 20,30 | 100 | 0.220 | 0.50 | 1.00 | 100 |
| BPDF0004041512□00 | 12 | 20,30 | 100 | 0.270 | 0.45 | 0.80 | 120 |
| BPDF0004041515□00 | 15 | 20,30 | 100 | 0.302 | 0.40 | 0.75 | 150 |
| BPDF0004041522□00 | 22 | 20,30 | 100 | 0.447 | 0.35 | 0.60 | 220 |
| BPDF0004041533□00 | 33 | 20,30 | 100 | 0.848 | 0.30 | 0.40 | 330 |
| BPDF0004041547□00 | 47 | 20,30 | 100 | 1.080 | 0.25 | 0.35 | 470 |

Note: When ordering, please specify tolerance code. Tolerance: M=±20% , T=±30%

- Operating temperature range - 40°C ~ 125°C(Including self - temperature rise)
- Isat for Inductance drop 35% from its value without current
- I rms for a 40°C temperature rise from 25°C ambient with current
- Rated DC Current : The less value which is Isat or I rms

SMD Shielded Power Inductors – BPDN Series

Standard Specifications

| Part Number | Inductance (uH) | Tolerance (±%) | Test Frequency (kHz) | RDC (Ω)Max | Isat (A)Max | Irms (A)Typ | Marking |
|--------------------|-----------------|----------------|----------------------|------------|-------------|-------------|---------|
| BPDN000404152R2□00 | 2.2 | 25,30 | 100 | 0.055 | 1.15 | 2.2 | 2R2 |
| BPDN000404154R7□00 | 4.7 | 25,30 | 100 | 0.105 | 0.75 | 1.45 | 4R7 |

Note: When ordering, please specify tolerance code. Tolerance: Y=±25% , T=±30%

- Operating temperature range - 40°C ~ 125°C(Including self - temperature rise)
- Isat for Inductance drop 35% from its value without current
- Irms for a 40°C temperature rise from 25°C ambient with current
- Rated DC Current : The less value which is Isat or Irms

SMD Shielded Power Inductors – BPDN Series

Standard Specifications

| Part Number | Inductance (uH) | Tolerance (±%) | Test Frequency (kHz) | RDC (Ω)Max | Isat (A)Max | Irms (A)Typ | Marking |
|--------------------|-----------------|----------------|----------------------|------------|-------------|-------------|---------|
| BPDN000404231R0□00 | 1.0 | 25 | 100 | 0.025 | 2.8 | 3.1 | 1R0 |
| BPDN000404231R5□00 | 1.5 | 25 | 100 | 0.029 | 2.2 | 2.9 | 1R5 |
| BPDN000404232R2□00 | 2.2 | 25 | 100 | 0.0383 | 1.8 | 2.5 | 2R2 |
| BPDN000404233R3□00 | 3.3 | 25 | 100 | 0.0563 | 1.45 | 2.2 | 3R3 |
| BPDN000404234R7□00 | 4.7 | 25 | 100 | 0.0688 | 1.30 | 1.9 | 4R7 |
| BPDN000404235R6□00 | 5.6 | 25 | 100 | 0.075 | 1.10 | 1.8 | 5R6 |
| BPDN000404236R8□00 | 6.8 | 25 | 100 | 0.0878 | 1.00 | 1.7 | 6R8 |
| BPDN000404238R2□00 | 8.2 | 25 | 100 | 0.0948 | 0.95 | 1.6 | 8R2 |
| BPDN0004042310□00 | 10 | 20,25 | 100 | 0.117 | 0.85 | 1.4 | 100 |
| BPDN00040423150□00 | 15 | 20,25 | 100 | 0.119 | 0.70 | 0.85 | 150 |
| BPDN00040423220□00 | 22 | 20,25 | 100 | 0.270 | 0.55 | 0.75 | 220 |
| BPDN00040423330□00 | 33 | 20,25 | 100 | 0.381 | 0.50 | 0.60 | 330 |
| BPDN00040423470□00 | 47 | 20,25 | 100 | 0.546 | 0.35 | 0.55 | 470 |

Note: When ordering, please specify tolerance code. Tolerance: M=±20% , Y=±25%

- Operating temperature range - 40°C ~ 125°C(Including self - temperature rise)
- Isat for Inductance drop 35% from its value without current
- I rms for a 40°C temperature rise from 25°C ambient with current
- Rated DC Current : The less value which is Isat or I rms

SMD Shielded Power Inductors – BPDN Series

Standard Specifications

| Part Number | Inductance (uH) | Tolerance (±%) | Test Frequency (kHz) | RDC (Ω)Max | Isat (A)Max | Irms (A)Typ | Marking |
|--------------------|-----------------|----------------|----------------------|------------|-------------|-------------|---------|
| BPDN000404301R0□00 | 1.0 | 30 | 100 | 0.021 | 3.7 | 5.2 | 1R0 |
| BPDN000404302R2□00 | 2.2 | 30 | 100 | 0.045 | 2.5 | 2.2 | 2R2 |
| BPDN000404303R3□00 | 3.3 | 30 | 100 | 0.0721 | 2.0 | 1.85 | 3R3 |
| BPDN000404304R7□00 | 4.7 | 30 | 100 | 0.0883 | 1.65 | 1.62 | 4R7 |
| BPDN000404306R8□00 | 6.8 | 30 | 100 | 0.119 | 1.24 | 1.32 | 6R8 |
| BPDN00040430100□00 | 10 | 30 | 100 | 0.145 | 1.05 | 1.18 | 100 |
| BPDN00040430150□00 | 15 | 30 | 100 | 0.213 | 0.90 | 1.02 | 150 |
| BPDN00040430220□00 | 22 | 30 | 100 | 0.335 | 0.76 | 0.74 | 220 |
| BPDN00040430330□00 | 33 | 30 | 100 | 0.481 | 0.58 | 0.63 | 330 |
| BPDN00040430470□00 | 47 | 30 | 100 | 0.599 | 0.48 | 0.56 | 470 |

Note: When ordering, please specify tolerance code. Tolerance: T=±30%

- Operating temperature range - 40°C ~ 125°C(Including self - temperature rise)
- Isat for Inductance drop 35% from its value without current
- Irms for a 40°C temperature rise from 25°C ambient with current
- Rated DC Current : The less value which is Isat or Irms

SMD Shielded Power Inductors – BPDR Series

Standard Specifications

| Part Number | Inductance (uH) | Tolerance (±%) | Test Frequency (kHz) | RDC (Ω)Max | Rated Current (A)Max | Marking |
|--------------------|-----------------|----------------|----------------------|------------|----------------------|---------|
| BPDR000404162R2□00 | 2.2 | 20,30 | 100 | 0.072 | 1.2 | 2R2 |
| BPDR000404163R3□00 | 3.3 | 30 | 100 | 0.085 | 1.1 | 3R3 |
| BPDR000404164R7□00 | 4.7 | 20,30 | 100 | 0.105 | 0.9 | 4R7 |
| BPDR000404166R2□00 | 6.2 | 30 | 100 | 0.16 | 0.8 | 6R2 |
| BPDR000404166R8□00 | 6.8 | 20,30 | 100 | 0.17 | 0.73 | 6R8 |
| BPDR000404168R2□00 | 8.2 | 30 | 100 | 0.20 | 0.65 | 8R2 |
| BPDR00040416100□00 | 10 | 20,30 | 100 | 0.21 | 0.55 | 100 |
| BPDR00040416150□00 | 15 | 20,30 | 100 | 0.295 | 0.45 | 150 |
| BPDR00040416220□00 | 22 | 20,30 | 100 | 0.43 | 0.40 | 220 |
| BPDR00040416330□00 | 33 | 20,30 | 100 | 0.675 | 0.32 | 330 |
| BPDR00040416390□00 | 39 | 20,30 | 100 | 0.82 | 0.26 | 390 |
| BPDR00040416470□00 | 47 | 20,30 | 100 | 0.99 | 0.24 | 470 |
| BPDR00040416680□00 | 68 | 20,30 | 100 | 1.1 | 0.22 | 680 |
| BPDR00040416101□00 | 100 | 20,30 | 100 | 2.2 | 0.17 | 101 |
| BPDR00040416221□00 | 220 | 20,30 | 100 | 4.0 | 0.15 | 221 |

Note: When ordering, please specify tolerance code. Tolerance: M=±20% , T=±30%

- Operating temperature range - 40°C ~ 125°C(Including self - temperature rise)
- Rated Current : Based on inductance change ($\Delta L/Lo$: drop 35% Max.) @ ambient temp. 25°C and Based on temperature rise (ΔT : 40°C Typ.)

SMD Shielded Power Inductors – BPDR Series

Standard Specifications

| Part Number | Inductance (uH) | Tolerance (±%) | Test Frequency (kHz) | RDC (Ω)Max | Rated Current (A)Max | Marking |
|--------------------|-----------------|----------------|----------------------|------------|----------------------|---------|
| BPDR000505201R0□00 | 1.0 | 30 | 100 | 0.045 | 1.72 | 1R0 |
| BPDR000505202R2□00 | 2.2 | 30 | 100 | 0.075 | 1.32 | 2R2 |
| BPDR000505202R7□00 | 2.7 | 30 | 100 | 0.105 | 1.28 | 2R7 |
| BPDR000505203R3□00 | 3.3 | 30 | 100 | 0.110 | 1.04 | 3R3 |
| BPDR000505203R9□00 | 3.9 | 30 | 100 | 0.155 | 0.88 | 3R9 |
| BPDR000505204R7□00 | 4.7 | 20,30 | 100 | 0.162 | 0.84 | 4R7 |
| BPDR000505205R6□00 | 5.6 | 20,30 | 100 | 0.170 | 0.80 | 5R6 |
| BPDR000505206R8□00 | 6.8 | 20,30 | 100 | 0.200 | 0.76 | 6R8 |
| BPDR000505208R2□00 | 8.2 | 20,30 | 100 | 0.245 | 0.68 | 8R2 |
| BPDR00050520100□00 | 10 | 20,30 | 100 | 0.260 | 0.61 | 100 |
| BPDR00050520120□00 | 12 | 20,30 | 100 | 0.280 | 0.56 | 120 |
| BPDR00050520150□00 | 15 | 20,30 | 100 | 0.310 | 0.50 | 150 |
| BPDR00050520180□00 | 18 | 20,30 | 100 | 0.338 | 0.48 | 180 |
| BPDR00050520220□00 | 22 | 20,30 | 100 | 0.397 | 0.41 | 220 |
| BPDR00050520270□00 | 27 | 20,30 | 100 | 0.441 | 0.35 | 270 |
| BPDR00050520330□00 | 33 | 20,30 | 100 | 0.694 | 0.32 | 330 |
| BPDR00050520390□00 | 39 | 20,30 | 100 | 0.709 | 0.30 | 390 |
| BPDR00050520101□00 | 100 | 20,30 | 100 | 1.4 | 0.20 | 101 |
| BPDR00050520221□00 | 220 | 20,30 | 100 | 2.4 | 0.15 | 221 |

Note: When ordering, please specify tolerance code. Tolerance: M=±20% , T=±30%

- Operating temperature range - 40°C ~ 125°C(Including self - temperature rise)
- Rated Current : Based on inductance change ($\Delta L/L_0$: drop 35% Max.) @ ambient temp. 25°C and Based on temperature rise (ΔT : 40°C Typ.)

SMD Shielded Power Inductors – BPDR Series

Standard Specifications

| Part Number | Inductance (uH) | Tolerance (±%) | Test Frequency (kHz) | RDC (Ω)Max | Rated Current (A)Max | Marking |
|--------------------|-----------------|----------------|----------------------|------------|----------------------|---------|
| BPDR000505301R0□00 | 1.0 | 30 | 100 | 0.0236 | 2.56 | 1R0 |
| BPDR000505301R2□00 | 1.2 | 30 | 100 | 0.0236 | 2.56 | 1R2 |
| BPDR000505301R8□00 | 1.8 | 20,30 | 100 | 0.0275 | 2.20 | 1R8 |
| BPDR000505302R2□00 | 2.2 | 20,30 | 100 | 0.0313 | 2.04 | 2R2 |
| BPDR000505302R7□00 | 2.7 | 30 | 100 | 0.0433 | 1.60 | 2R7 |
| BPDR000505303R3□00 | 3.3 | 20,30 | 100 | 0.0492 | 1.57 | 3R3 |
| BPDR000505303R9□00 | 3.9 | 30 | 100 | 0.0648 | 1.44 | 3R9 |
| BPDR000505304R7□00 | 4.7 | 20,30 | 100 | 0.0720 | 1.32 | 4R7 |
| BPDR000505305R6□00 | 5.6 | 20,30 | 100 | 0.1009 | 1.17 | 5R6 |
| BPDR000505306R8□00 | 6.8 | 20,30 | 100 | 0.1089 | 1.12 | 6R8 |
| BPDR000505308R2□00 | 8.2 | 20,30 | 100 | 0.1175 | 1.04 | 8R2 |
| BPDR00050530100□00 | 10 | 20,30 | 100 | 0.1283 | 1.00 | 100 |
| BPDR00050530120□00 | 12 | 20,30 | 100 | 0.1316 | 0.84 | 120 |
| BPDR00050530150□00 | 15 | 20,30 | 100 | 0.149 | 0.76 | 150 |
| BPDR00050530180□00 | 18 | 20,30 | 100 | 0.166 | 0.72 | 180 |
| BPDR00050530220□00 | 22 | 20,30 | 100 | 0.235 | 0.70 | 220 |
| BPDR00050530270□00 | 27 | 20,30 | 100 | 0.261 | 0.58 | 270 |
| BPDR00050530330□00 | 33 | 20,30 | 100 | 0.3313 | 0.56 | 330 |
| BPDR00050530390□00 | 39 | 20,30 | 100 | 0.3837 | 0.50 | 390 |
| BPDR00050530470□00 | 47 | 20,30 | 100 | 0.587 | 0.48 | 470 |
| BPDR00050530560□00 | 56 | 20,30 | 100 | 0.6245 | 0.41 | 560 |
| BPDR00050530680□00 | 68 | 20,30 | 100 | 0.699 | 0.35 | 680 |
| BPDR00050530820□00 | 82 | 20,30 | 100 | 0.9148 | 0.32 | 820 |
| BPDR00050530101□00 | 100 | 10,20 | 100 | 1.02 | 0.29 | 101 |
| BPDR00050530121□00 | 120 | 10,20 | 100 | 1.27 | 0.27 | 121 |
| BPDR00050530151□00 | 150 | 10,20 | 100 | 1.35 | 0.24 | 151 |
| BPDR00050530181□00 | 180 | 10,20 | 100 | 1.54 | 0.22 | 181 |
| BPDR00050530271□00 | 270 | 20,30 | 100 | 3.00 | 0.16 | 271 |

Note: When ordering, please specify tolerance code. Tolerance: K=±10% , M=±20% , T=±30%

- Operating temperature range - 40°C ~ 125°C(Including self - temperature rise)
- Rated Current : Based on inductance change ($\Delta L/Lo$: drop 35% Max.) @ ambient temp. 25°C and Based on temperature rise (ΔT : 40°C Typ.)

SMD Shielded Power Inductors – BPDR Series

Standard Specifications

| Part Number | Inductance (uH) | Tolerance (±%) | Test Frequency (kHz) | RDC (Ω)Max | Rated Current (A)Max | Marking |
|--------------------|-----------------|----------------|----------------------|------------|----------------------|---------|
| BPDR000606204R1□00 | 4.1 | 30 | 100 | 0.057 | 1.95 | 4R1 |
| BPDR000606205R4□00 | 5.4 | 30 | 100 | 0.076 | 1.60 | 5R4 |
| BPDR000606206R2□00 | 6.2 | 20,30 | 100 | 0.096 | 1.40 | 6R2 |
| BPDR000606206R8□00 | 6.8 | 20,30 | 100 | 0.096 | 1.40 | 6R8 |
| BPDR000606208R9□00 | 8.9 | 20,30 | 100 | 0.116 | 1.25 | 8R9 |
| BPDR00060620100□00 | 10 | 20,30 | 100 | 0.124 | 1.20 | 100 |
| BPDR00060620120□00 | 12 | 20,30 | 100 | 0.153 | 1.10 | 120 |
| BPDR00060620150□00 | 15 | 20,30 | 100 | 0.196 | 0.97 | 150 |
| BPDR00060620180□00 | 18 | 20,30 | 100 | 0.21 | 0.85 | 180 |
| BPDR00060620220□00 | 22 | 20,30 | 100 | 0.29 | 0.80 | 220 |
| BPDR00060620270□00 | 27 | 20,30 | 100 | 0.33 | 0.75 | 270 |
| BPDR00060620330□00 | 33 | 20,30 | 100 | 0.385 | 0.65 | 330 |
| BPDR00060620390□00 | 39 | 20,30 | 100 | 0.52 | 0.57 | 390 |
| BPDR00060620470□00 | 47 | 20,30 | 100 | 0.595 | 0.54 | 470 |
| BPDR00060620560□00 | 56 | 20,30 | 100 | 0.665 | 0.50 | 560 |
| BPDR00060620680□00 | 68 | 20,30 | 100 | 0.84 | 0.43 | 680 |
| BPDR00060620820□00 | 82 | 20,30 | 100 | 0.978 | 0.41 | 820 |
| BPDR00060620101□00 | 100 | 10,20 | 100 | 1.2 | 0.36 | 101 |

Note: When ordering, please specify tolerance code. Tolerance: K=±10% , M=±20% , T=±30%

- Operating temperature range - 40°C ~ 125°C(Including self - temperature rise)
- Rated Current : Based on inductance change ($\Delta L/L_0$: drop 35% Max.) @ ambient temp. 25°C and Based on temperature rise (ΔT : 40°C Typ.)

SMD Shielded Power Inductors – BPDR Series

Standard Specifications

| Part Number | Inductance (uH) | Tolerance (±%) | Test Frequency (kHz) | RDC (Ω)Max | Rated Current (A)Max | Marking |
|--------------------|-----------------|----------------|----------------------|------------|----------------------|---------|
| BPDR000606301R0□00 | 1.0 | 30 | 100 | 0.012 | 3.7 | 1R0 |
| BPDR000606301R2□00 | 1.2 | 30 | 100 | 0.013 | 3.5 | 1R2 |
| BPDR000606302R2□00 | 2.2 | 30 | 100 | 0.018 | 2.8 | 2R2 |
| BPDR000606302R5□00 | 2.5 | 30 | 100 | 0.018 | 2.6 | 2R5 |
| BPDR000606302R7□00 | 2.7 | 30 | 100 | 0.018 | 2.6 | 2R7 |
| BPDR000606303R0□00 | 3.0 | 30 | 100 | 0.024 | 2.4 | 3R0 |
| BPDR000606303R3□00 | 3.3 | 20,30 | 100 | 0.024 | 2.4 | 3R3 |
| BPDR000606303R9□00 | 3.9 | 30 | 100 | 0.031 | 2.2 | 3R9 |
| BPDR000606304R2□00 | 4.2 | 30 | 100 | 0.031 | 2.2 | 4R2 |
| BPDR000606304R7□00 | 4.7 | 20,30 | 100 | 0.035 | 2.0 | 4R7 |
| BPDR000606305R3□00 | 5.3 | 30 | 100 | 0.038 | 1.9 | 5R3 |
| BPDR000606306R2□00 | 6.2 | 20,30 | 100 | 0.045 | 1.8 | 6R2 |
| BPDR000606306R6□00 | 6.6 | 20,30 | 100 | 0.045 | 1.8 | 6R6 |
| BPDR000606308R2□00 | 8.2 | 20,30 | 100 | 0.053 | 1.6 | 8R2 |
| BPDR00060630100□00 | 10 | 20,30 | 100 | 0.065 | 1.3 | 100 |
| BPDR00060630120□00 | 12 | 20,30 | 100 | 0.076 | 1.2 | 120 |
| BPDR00060630150□00 | 15 | 20,30 | 100 | 0.103 | 1.1 | 150 |
| BPDR00060630180□00 | 18 | 20,30 | 100 | 0.110 | 1.0 | 180 |
| BPDR00060630220□00 | 22 | 20,30 | 100 | 0.112 | 0.9 | 220 |
| BPDR00060630270□00 | 27 | 20,30 | 100 | 0.175 | 0.85 | 270 |
| BPDR00060630330□00 | 33 | 20,30 | 100 | 0.189 | 0.75 | 330 |
| BPDR00060630390□00 | 39 | 20,30 | 100 | 0.212 | 0.7 | 390 |
| BPDR00060630470□00 | 47 | 20,30 | 100 | 0.250 | 0.62 | 470 |
| BPDR00060630560□00 | 56 | 20,30 | 100 | 0.305 | 0.58 | 560 |
| BPDR00060630680□00 | 68 | 20,30 | 100 | 0.355 | 0.52 | 680 |
| BPDR00060630820□00 | 82 | 20,30 | 100 | 0.463 | 0.46 | 820 |
| BPDR00060630101□00 | 100 | 20,30 | 100 | 0.52 | 0.42 | 101 |
| BPDR00060630151□00 | 150 | 20,30 | 100 | 1.05 | 0.35 | 151 |
| BPDR00060630181□00 | 180 | 20,30 | 100 | 1.55 | 0.32 | 181 |
| BPDR00060630221□00 | 220 | 20,30 | 100 | 1.90 | 0.28 | 221 |

Note: When ordering, please specify tolerance code. Tolerance: M=±20% , T=±30%

- Operating temperature range - 40°C ~ 125°C(Including self - temperature rise)
- Rated Current : Based on inductance change ($\Delta L/Lo$: drop 35% Max.) @ ambient temp. 25°C and Based on temperature rise (ΔT : 40°C Typ.)

SMD Shielded Power Inductors – BPDR Series

Standard Specifications

| Part Number | Inductance (uH) | Tolerance (±%) | Test Frequency (kHz) | RDC (Ω)Max | Isat (A)Max | Irms (A)Typ | Marking |
|--------------------|-----------------|----------------|----------------------|------------|-------------|-------------|---------|
| BPDR000606551R5□00 | 1.5 | 20,30 | 100 | 0.0103 | 5.5 | 6.3 | 1R5 |
| BPDR000606552R2□00 | 2.2 | 30 | 100 | 0.0170 | 4.5 | 5.0 | 2R2 |
| BPDR000606553R3□00 | 3.3 | 20,30 | 100 | 0.0222 | 3.5 | 4.3 | 3R3 |
| BPDR000606554R7□00 | 4.7 | 20,30 | 100 | 0.0261 | 3.0 | 4.0 | 4R7 |
| BPDR000606556R8□00 | 6.8 | 20,30 | 100 | 0.0355 | 2.5 | 3.5 | 6R8 |
| BPDR00060655100□00 | 10 | 20,30 | 100 | 0.0666 | 1.7 | 2.3 | 100 |
| BPDR00060655101□00 | 100 | 30 | 100 | 0.358 | 0.65 | 0.85 | 101 |

Note: When ordering, please specify tolerance code. Tolerance: M=±20% , T=±30%

- Operating temperature range - 40°C ~ 125°C(Including self - temperature rise)
- Isat for Inductance drop 35% from its value without current
- Irms for a 40°C temperature rise from 25°C ambient with current
- Rated DC Current : The less value which is Isat or Irms

SMD Shielded Power Inductors – BPDR Series

Standard Specifications

| Part Number | Inductance (uH) | Tolerance (±%) | Test Frequency (kHz) | RDC (Ω)Max | Rated Current (A)Max | Marking |
|--------------------|-----------------|----------------|----------------------|------------|----------------------|---------|
| BPDR000707301R2□00 | 1.2 | 30 | 100 | 0.014 | 4.5 | 1R2 |
| BPDR000707301R5□00 | 1.5 | 30 | 100 | 0.015 | 4.0 | 1R5 |
| BPDR000707302R2□00 | 2.2 | 20,30 | 100 | 0.020 | 3.5 | 2R2 |
| BPDR000707303R0□00 | 3.0 | 30 | 100 | 0.024 | 3.0 | 3R0 |
| BPDR000707303R3□00 | 3.3 | 30 | 100 | 0.025 | 3.0 | 3R3 |
| BPDR000707303R6□00 | 3.6 | 30 | 100 | 0.027 | 2.6 | 3R6 |
| BPDR000707303R9□00 | 3.9 | 30 | 100 | 0.027 | 2.6 | 3R9 |
| BPDR000707304R7□00 | 4.7 | 20,30 | 100 | 0.030 | 2.5 | 4R7 |
| BPDR000707305R0□00 | 5.0 | 30 | 100 | 0.031 | 2.4 | 5R0 |
| BPDR000707306R0□00 | 6.0 | 30 | 100 | 0.035 | 2.25 | 6R0 |
| BPDR000707306R8□00 | 6.8 | 30 | 100 | 0.054 | 2.1 | 6R8 |
| BPDR000707307R3□00 | 7.3 | 30 | 100 | 0.054 | 2.1 | 7R3 |
| BPDR000707308R6□00 | 8.6 | 30 | 100 | 0.058 | 1.85 | 8R6 |
| BPDR000707309R0□00 | 9.0 | 20,30 | 100 | 0.058 | 1.85 | 9R0 |
| BPDR00070730100□00 | 10 | 20,30 | 100 | 0.065 | 1.7 | 100 |
| BPDR00070730120□00 | 12 | 20,30 | 100 | 0.070 | 1.55 | 120 |
| BPDR00070730150□00 | 15 | 20,30 | 100 | 0.084 | 1.4 | 150 |
| BPDR00070730180□00 | 18 | 20,30 | 100 | 0.095 | 1.32 | 180 |
| BPDR00070730220□00 | 22 | 20,30 | 100 | 0.128 | 1.2 | 220 |
| BPDR00070730270□00 | 27 | 20,30 | 100 | 0.142 | 1.05 | 270 |
| BPDR00070730330□00 | 33 | 20,30 | 100 | 0.165 | 0.97 | 330 |
| BPDR00070730390□00 | 39 | 20,30 | 100 | 0.210 | 0.86 | 390 |
| BPDR00070730470□00 | 47 | 20,30 | 100 | 0.238 | 0.80 | 470 |
| BPDR00070730560□00 | 56 | 20,30 | 100 | 0.277 | 0.73 | 560 |
| BPDR00070730680□00 | 68 | 20,30 | 100 | 0.304 | 0.65 | 680 |
| BPDR00070730820□00 | 82 | 20,30 | 100 | 0.390 | 0.60 | 820 |
| BPDR00070730101□00 | 100 | 20,30 | 100 | 0.535 | 0.54 | 101 |
| BPDR00070730151□00 | 150 | 20,30 | 100 | 0.72 | 0.40 | 151 |

Note: When ordering, please specify tolerance code. Tolerance: M=±20% , T=±30%

- Operating temperature range - 40°C ~ 125°C(Including self - temperature rise)
- Rated Current : Based on inductance change ($\Delta L/Lo$: drop 35% Max.) @ ambient temp. 25°C and Based on temperature rise (ΔT : 40°C Typ.)

SMD Shielded Power Inductors – BPDR Series

Standard Specifications

| Part Number | Inductance (uH) | Tolerance (±%) | Test Frequency (kHz) | RDC (Ω)Max | Rated Current (A)Max | Marking |
|--------------------|-----------------|----------------|----------------------|------------|----------------------|---------|
| BPDR000707401R0□00 | 1.0 | 30 | 100 | 0.010 | 4.5 | 1R0 |
| BPDR000707401R5□00 | 1.5 | 30 | 100 | 0.011 | 4.3 | 1R5 |
| BPDR000707402R2□00 | 2.2 | 30 | 100 | 0.015 | 4.0 | 2R2 |
| BPDR000707403R3□00 | 3.3 | 20,30 | 100 | 0.020 | 3.5 | 3R3 |
| BPDR000707403R8□00 | 3. | 30 | 100 | 0.020 | 3.5 | 3R8 |
| BPDR000707405R0□00 | 5.0 | 30 | 100 | 0.024 | 2.9 | 5R0 |
| BPDR000707406R2□00 | 6.2 | 30 | 100 | 0.027 | 2.5 | 6R2 |
| BPDR000707406R8□00 | 6.8 | 20,30 | 100 | 0.027 | 2.4 | 6R8 |
| BPDR000707407R4□00 | 7.4 | 30 | 100 | 0.031 | 2.3 | 7R4 |
| BPDR000707408R2□00 | 8.2 | 30 | 100 | 0.034 | 2.2 | 8R2 |
| BPDR000707408R7□00 | 8.7 | 30 | 100 | 0.034 | 2.2 | 8R7 |
| BPDR00070740100□00 | 10 | 20,30 | 100 | 0.038 | 2.0 | 100 |
| BPDR00070740120□00 | 12 | 20,30 | 100 | 0.053 | 1.7 | 120 |
| BPDR00070740150□00 | 15 | 20,30 | 100 | 0.057 | 1.6 | 150 |
| BPDR00070740180□00 | 18 | 20,30 | 100 | 0.092 | 1.5 | 180 |
| BPDR00070740220□00 | 22 | 20,30 | 100 | 0.096 | 1.3 | 220 |
| BPDR00070740270□00 | 27 | 20,30 | 100 | 0.109 | 1.2 | 270 |
| BPDR00070740330□00 | 33 | 20,30 | 100 | 0.124 | 1.1 | 330 |
| BPDR00070740390□00 | 39 | 20,30 | 100 | 0.138 | 1.0 | 390 |
| BPDR00070740470□00 | 47 | 20,30 | 100 | 0.155 | 0.95 | 470 |
| BPDR00070740560□00 | 56 | 20,30 | 100 | 0.202 | 0.85 | 560 |
| BPDR00070740680□00 | 68 | 20,30 | 100 | 0.234 | 0.75 | 680 |
| BPDR00070740820□00 | 82 | 20,30 | 100 | 0.324 | 0.70 | 820 |
| BPDR00070740101□00 | 100 | 10,20,30 | 100 | 0.358 | 0.65 | 101 |
| BPDR00070740221□00 | 220 | 20,30 | 100 | 1.50 | 0.45 | 221 |
| BPDR00070740331□00 | 330 | 20,30 | 100 | 1.55 | 0.35 | 331 |

Note: When ordering, please specify tolerance code. Tolerance: K=±10% , M=±20% , T=±30%

- Operating temperature range - 40°C ~ 125°C(Including self - temperature rise)
- Rated Current : Based on inductance change ($\Delta L/L_0$: drop 35% Max.) @ ambient temp. 25°C and Based on temperature rise (ΔT : 40°C Typ.)

SMD Shielded Power Inductors – BPDR Series

Standard Specifications

| Part Number | Inductance (uH) | Tolerance (±%) | Test Frequency (kHz) | RDC (Ω)Max | Isat (A)Max | Irms (A)Typ | Marking |
|--------------------|-----------------|----------------|----------------------|------------|-------------|-------------|---------|
| BPDR000808302R5□00 | 2.5 | 30 | 100 | 0.0156 | 4.5 | 6.4 | 2R5 |
| BPDR000808303R3□00 | 3.3 | 20,30 | 100 | 0.0182 | 4.0 | 6.0 | 3R3 |
| BPDR000808303R6□00 | 3.6 | 20,30 | 100 | 0.0240 | 3.8 | 4.6 | 3R6 |
| BPDR000808304R7□00 | 4.7 | 20,30 | 100 | 0.0247 | 3.4 | 4.5 | 4R7 |
| BPDR000808307R3□00 | 7.3 | 30 | 100 | 0.039 | 2.8 | 3.4 | 7R3 |
| BPDR00080830100□00 | 10 | 20,30 | 100 | 0.047 | 2.5 | 3.2 | 100 |
| BPDR00080830150□00 | 15 | 20,30 | 100 | 0.069 | 1.9 | 2.35 | 150 |
| BPDR00080830220□00 | 22 | 20,30 | 100 | 0.099 | 1.6 | 1.85 | 220 |
| BPDR00080830330□00 | 33 | 20,30 | 100 | 0.156 | 1.3 | 1.45 | 330 |
| BPDR00080830470□00 | 47 | 20,30 | 100 | 0.195 | 1.15 | 1.30 | 470 |
| BPDR00080830680□00 | 68 | 20,30 | 100 | 0.286 | 0.92 | 0.98 | 680 |
| BPDR00080830101□00 | 100 | 20,30 | 100 | 0.430 | 0.75 | 0.80 | 101 |

Note: When ordering, please specify tolerance code. Tolerance: M=±20% , T=±30%

- Operating temperature range - 40°C ~ 125°C(Including self - temperature rise)
- Isat for Inductance drop 35% from its value without current
- Irms for a 40°C temperature rise from 25°C ambient with current
- Rated DC Current : The less value which is Isat or Irms

SMD Shielded Power Inductors – BPDR Series

Standard Specifications

| Part Number | Inductance (uH) | Tolerance (±%) | Test Frequency (kHz) | RDC (Ω)Max | Isat (A)Max | Irms (A)Typ | Marking |
|--------------------|-----------------|----------------|----------------------|------------|-------------|-------------|---------|
| BPDR000808401R8□00 | 1.8 | 30 | 100 | 0.0156 | 7.0 | 6.8 | 1R8 |
| BPDR000808402R5□00 | 2.5 | 30 | 100 | 0.0175 | 6.5 | 6.0 | 2R5 |
| BPDR000808403R5□00 | 3.5 | 30 | 100 | 0.024 | 5.0 | 5.2 | 3R5 |
| BPDR000808404R7□00 | 4.7 | 20,30 | 100 | 0.029 | 4.6 | 4.4 | 4R7 |
| BPDR000808406R0□00 | 6.0 | 20,30 | 100 | 0.032 | 4.2 | 4.0 | 6R0 |
| BPDR00080840100□00 | 10 | 20,30 | 100 | 0.048 | 3.0 | 3.2 | 100 |
| BPDR00080840150□00 | 15 | 20,30 | 100 | 0.067 | 2.75 | 2.5 | 150 |
| BPDR00080840220□00 | 22 | 20,30 | 100 | 0.105 | 2.3 | 2.0 | 220 |
| BPDR00080840330□00 | 33 | 20,30 | 100 | 0.157 | 1.75 | 1.6 | 330 |
| BPDR00080840390□00 | 39 | 20,30 | 100 | 0.173 | 1.65 | 1.51 | 390 |
| BPDR00080840470□00 | 47 | 20,30 | 100 | 0.189 | 1.52 | 1.42 | 470 |
| BPDR00080840680□00 | 68 | 20,30 | 100 | 0.29 | 1.3 | 1.08 | 680 |
| BPDR00080840101□00 | 100 | 20,30 | 100 | 0.41 | 1.05 | 0.88 | 101 |

Note: When ordering, please specify tolerance code. Tolerance: M=±20% , T=±30%

- Operating temperature range - 40°C ~ 125°C(Including self - temperature rise)
- Isat for Inductance drop 35% from its value without current
- Irms for a 40°C temperature rise from 25°C ambient with current
- Rated DC Current : The less value which is Isat or Irms

SMD Shielded Power Inductors – BPDR Series

Standard Specifications

| Part Number | Inductance (uH) | Tolerance (±%) | Test Frequency (kHz) | RDC (Ω)Max | Isat (A)Max | Irms (A)Typ | Marking |
|--------------------|-----------------|----------------|----------------------|------------|-------------|-------------|---------|
| BPDR000808451R0□00 | 1.0 | 30 | 100 | 0.0122 | 8.0 | 6.2 | 1R0 |
| BPDR000808451R2□00 | 1.2 | 30 | 100 | 0.0122 | 8.0 | 6.2 | 1R2 |
| BPDR000808452R0□00 | 2.0 | 30 | 100 | 0.014 | 7.0 | 5.5 | 2R0 |
| BPDR000808452R2□00 | 2.2 | 30 | 100 | 0.016 | 6.8 | 5.0 | 2R2 |
| BPDR000808453R6□00 | 3.6 | 20,30 | 100 | 0.019 | 5.9 | 4.5 | 3R3 |
| BPDR000808453R9□00 | 3.9 | 30 | 100 | 0.019 | 5.9 | 4.5 | 3R9 |
| BPDR000808454R7□00 | 4.7 | 20,30 | 100 | 0.022 | 5.6 | 4.1 | 4R7 |
| BPDR000808456R8□00 | 6.8 | 20,30 | 100 | 0.025 | 4.4 | 3.9 | 6R8 |
| BPDR000808458R2□00 | 8.2 | 20,30 | 100 | 0.033 | 4.2 | 3.6 | 8R2 |
| BPDR00080845100□00 | 10 | 20,30 | 100 | 0.036 | 4.0 | 3.2 | 100 |
| BPDR00080845150□00 | 15 | 20,30 | 100 | 0.062 | 2.9 | 2.3 | 150 |
| BPDR00080845220□00 | 22 | 20,30 | 100 | 0.075 | 2.6 | 1.8 | 220 |
| BPDR00080845330□00 | 33 | 20,30 | 100 | 0.125 | 2.2 | 1.4 | 330 |
| BPDR00080845470□00 | 47 | 20,30 | 100 | 0.150 | 1.8 | 1.3 | 470 |
| BPDR00080845560□00 | 56 | 20,30 | 100 | 0.225 | 1.65 | 1.2 | 560 |
| BPDR00080845680□00 | 68 | 20,30 | 100 | 0.240 | 1.5 | 1.0 | 680 |
| BPDR00080845101□00 | 100 | 20,30 | 100 | 0.360 | 1.3 | 0.8 | 101 |
| BPDR00080845121□00 | 120 | 20,30 | 100 | 0.51 | 1.0 | 0.7 | 121 |
| BPDR00080845221□00 | 220 | 20,30 | 100 | 1.00 | 0.6 | 0.6 | 221 |

Note: When ordering, please specify tolerance code. Tolerance: M=±20% , T=±30%

- Operating temperature range - 40°C ~ 125°C(Including self - temperature rise)
- Isat for Inductance drop 35% from its value without current
- I rms for a 40°C temperature rise from 25°C ambient with current
- Rated DC Current : The less value which is Isat or I rms

SMD Shielded Power Inductors – BPDS Series

Standard Specifications

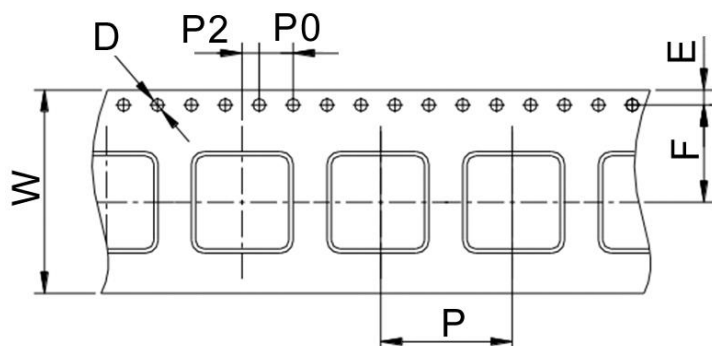
| Part Number | Inductance (uH) | Tolerance (±%) | Test Frequency (kHz) | RDC (Ω)Max | Isat (A)Max | Irms (A)Typ | Marking |
|--------------------|-----------------|----------------|----------------------|------------|-------------|-------------|---------|
| BPDS000303161R5□00 | 1.5 | 30 | 100 | 0.063 | 1.80 | 2.0 | 1R5 |
| BPDS000303161R8□00 | 1.8 | 30 | 100 | 0.075 | 1.65 | 1.8 | 1R8 |
| BPDS000303162R2□00 | 2.2 | 20,25,30 | 100 | 0.094 | 1.50 | 1.6 | 2R2 |
| BPDS000303162R7□00 | 2.7 | 20,30 | 100 | 0.106 | 1.35 | 1.4 | 2R7 |
| BPDS000303163R3□00 | 3.3 | 30 | 100 | 0.125 | 1.2 | 1.24 | 3R3 |
| BPDS000303163R9□00 | 3.9 | 30 | 100 | 0.138 | 1.1 | 1.12 | 3R9 |
| BPDS000303164R7□00 | 4.7 | 20,30 | 100 | 0.169 | 1.0 | 1.00 | 4R7 |
| BPDS000303165R6□00 | 5.6 | 20,30 | 100 | 0.188 | 0.95 | 0.98 | 5R6 |
| BPDS000303166R8□00 | 6.8 | 30 | 100 | 0.213 | 0.85 | 0.92 | 6R8 |
| BPDS000303168R2□00 | 8.2 | 30 | 100 | 0.281 | 0.80 | 0.80 | 8R2 |
| BPDS00030316100□00 | 10 | 20,30 | 100 | 0.294 | 0.70 | 0.76 | 100 |
| BPDS00030316120□00 | 12 | 20,30 | 100 | 0.394 | 0.62 | 0.64 | 120 |
| BPDS00030316220□00 | 22 | 20,30 | 100 | 0.65 | 0.30 | 0.30 | 220 |
| BPDS00030316330□00 | 33 | 20,30 | 100 | 1.00 | 0.24 | 0.24 | 330 |
| BPDS00030316470□00 | 47 | 20,30 | 100 | 1.25 | 0.20 | 0.20 | 470 |
| BPDS00030316101□00 | 100 | 20,30 | 100 | 2.40 | 0.12 | 0.12 | 101 |

Note: When ordering, please specify tolerance code. Tolerance: M=±20% , Y=±25% , T=±30%

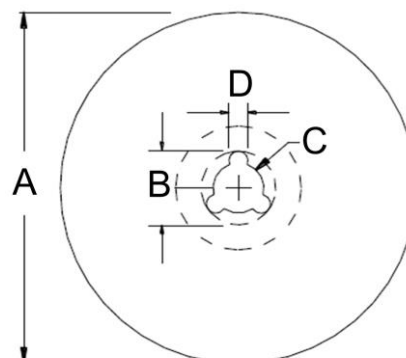
- Operating temperature range - 40°C ~ 125°C(Including self - temperature rise)
- Isat for Inductance drop 35% from its value without current
- I rms for a 40°C temperature rise from 25°C ambient with current
- Rated DC Current : The less value which is Isat or I rms

Packaging Specifications

Tape Dimensions



Reel Dimensions



Dimensions in mm

| TYPE | Tape Dimensions | | | | | | | Reel Dimensions | | | | Quantity PCS / Reel |
|--------------|-----------------|-----|------|-----|----|----|----|-----------------|----|----|---|------------------------|
| | W | D | E | F | P | P0 | P2 | A | B | C | D | |
| BPDC00030310 | 12 | 1.5 | 1.75 | 5.5 | 8 | 4 | 2 | 178 | 20 | 13 | 2 | 1000 |
| BPDL00030312 | 12 | 1.5 | 1.75 | 5.5 | 8 | 4 | 2 | 178 | 20 | 13 | 2 | 1000 |
| BPDS00030316 | 12 | 1.5 | 1.75 | 5.5 | 8 | 4 | 2 | 178 | 20 | 13 | 2 | 1000 |
| BPDx00030320 | 12 | 1.5 | 1.75 | 5.5 | 8 | 4 | 2 | 178 | 20 | 13 | 2 | 1000 |
| BPDH00040412 | 12 | 1.5 | 1.75 | 5.5 | 8 | 4 | 2 | 178 | 20 | 13 | 2 | 1000 |
| BPDx00040415 | 12 | 1.5 | 1.75 | 5.5 | 8 | 4 | 2 | 330 | 20 | 13 | 2 | 3500 |
| BPDR00040416 | 12 | 1.5 | 1.75 | 5.5 | 8 | 4 | 2 | 330 | 20 | 13 | 2 | 3500 |
| BPDH00040418 | 12 | 1.5 | 1.75 | 5.5 | 8 | 4 | 2 | 330 | 20 | 13 | 2 | 3500 |
| BPDN00040423 | 12 | 1.5 | 1.75 | 5.5 | 8 | 4 | 2 | 330 | 20 | 13 | 2 | 2500 |
| BPDN00040430 | 12 | 1.5 | 1.75 | 5.5 | 8 | 4 | 2 | 330 | 20 | 13 | 2 | 2000 |
| BPDx00050520 | 12 | 1.5 | 1.75 | 5.5 | 8 | 4 | 2 | 330 | 20 | 13 | 2 | 2000 |
| BPDx00050530 | 12 | 1.5 | 1.75 | 5.5 | 8 | 4 | 2 | 330 | 20 | 13 | 2 | 2000 |
| BPDH00060618 | 12 | 1.5 | 1.75 | 5.5 | 8 | 4 | 2 | 330 | 20 | 13 | 2 | 2000 |
| BPDR00060620 | 12 | 1.5 | 1.75 | 5.5 | 8 | 4 | 2 | 330 | 20 | 13 | 2 | 2000 |
| BPDR00060630 | 12 | 1.5 | 1.75 | 5.5 | 8 | 4 | 2 | 330 | 20 | 13 | 2 | 2000 |
| BPDR00060655 | 16 | 1.5 | 1.75 | 7.5 | 12 | 4 | 2 | 330 | 20 | 13 | 2 | 900 |
| BPDx00070730 | 16 | 1.5 | 1.75 | 7.5 | 12 | 4 | 2 | 330 | 20 | 13 | 2 | 1000 |
| BPDR00070740 | 16 | 1.5 | 1.75 | 7.5 | 12 | 4 | 2 | 330 | 20 | 13 | 2 | 1000 |
| BPDR00080830 | 16 | 1.5 | 1.75 | 7.5 | 12 | 4 | 2 | 330 | 20 | 13 | 2 | 1000 |
| BPDR00080840 | 16 | 1.5 | 1.75 | 7.5 | 16 | 4 | 2 | 330 | 20 | 13 | 2 | 900 |
| BPDR00080845 | 16 | 1.5 | 1.75 | 7.5 | 16 | 4 | 2 | 330 | 20 | 13 | 2 | 900 |