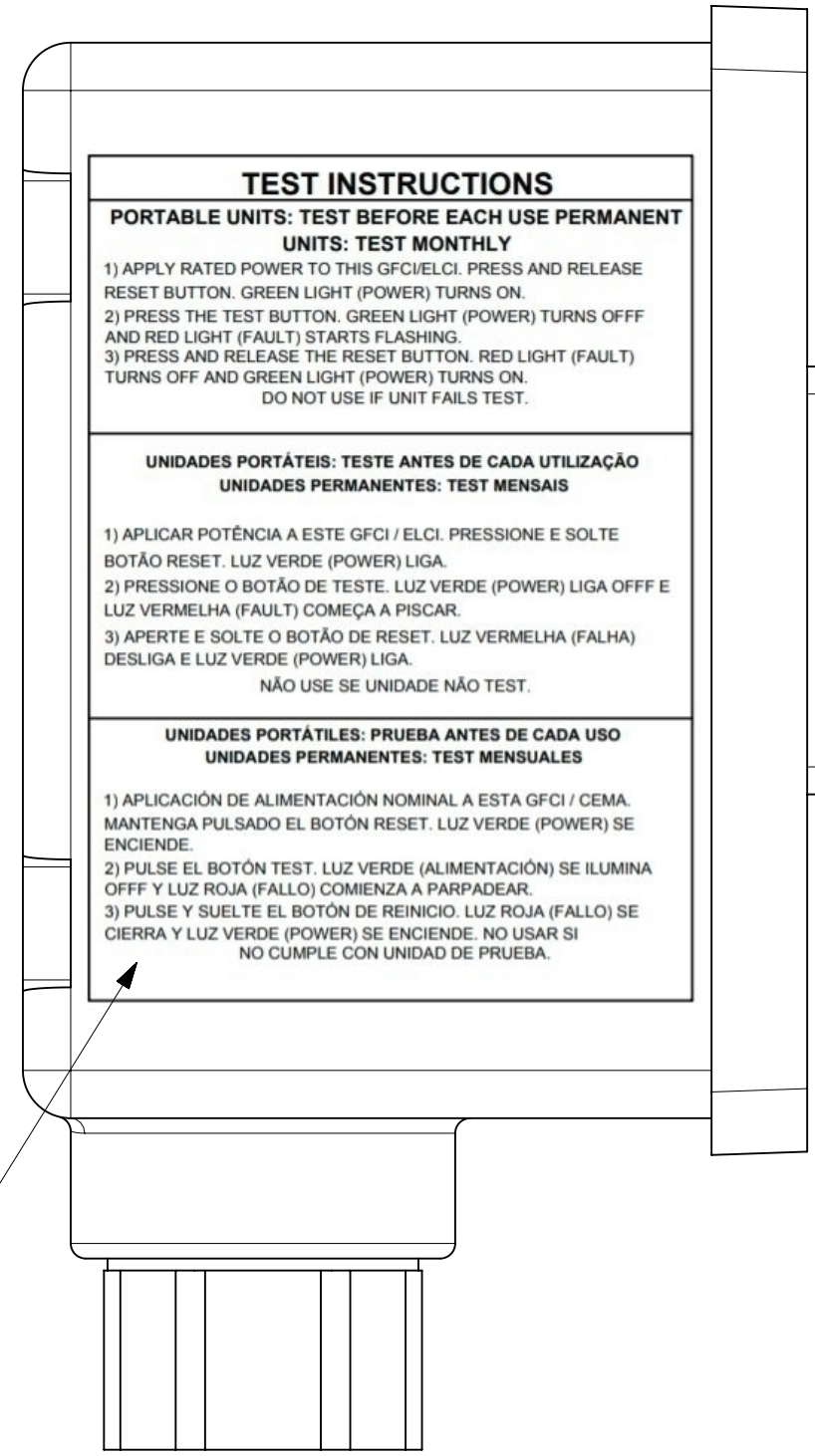
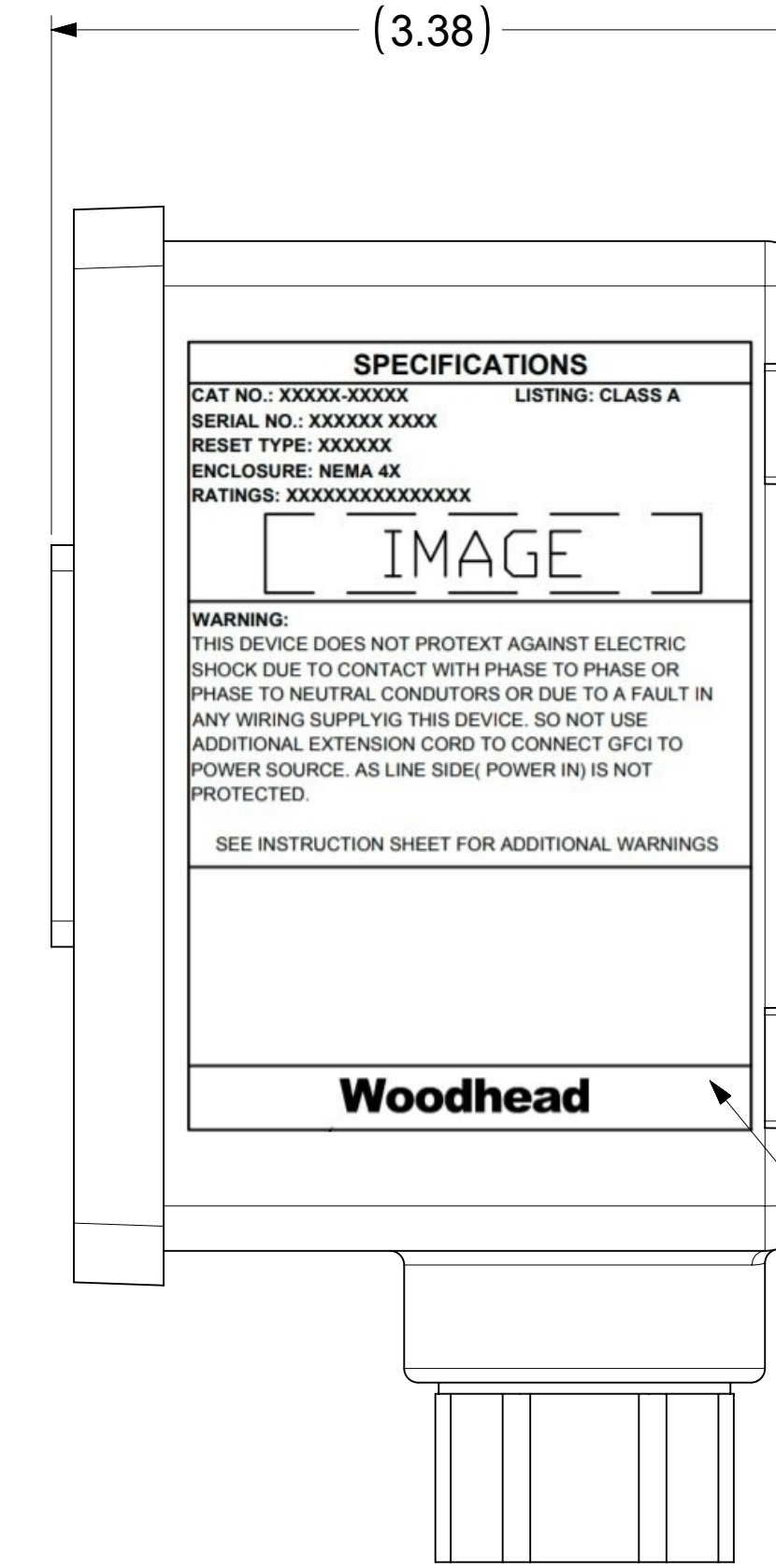
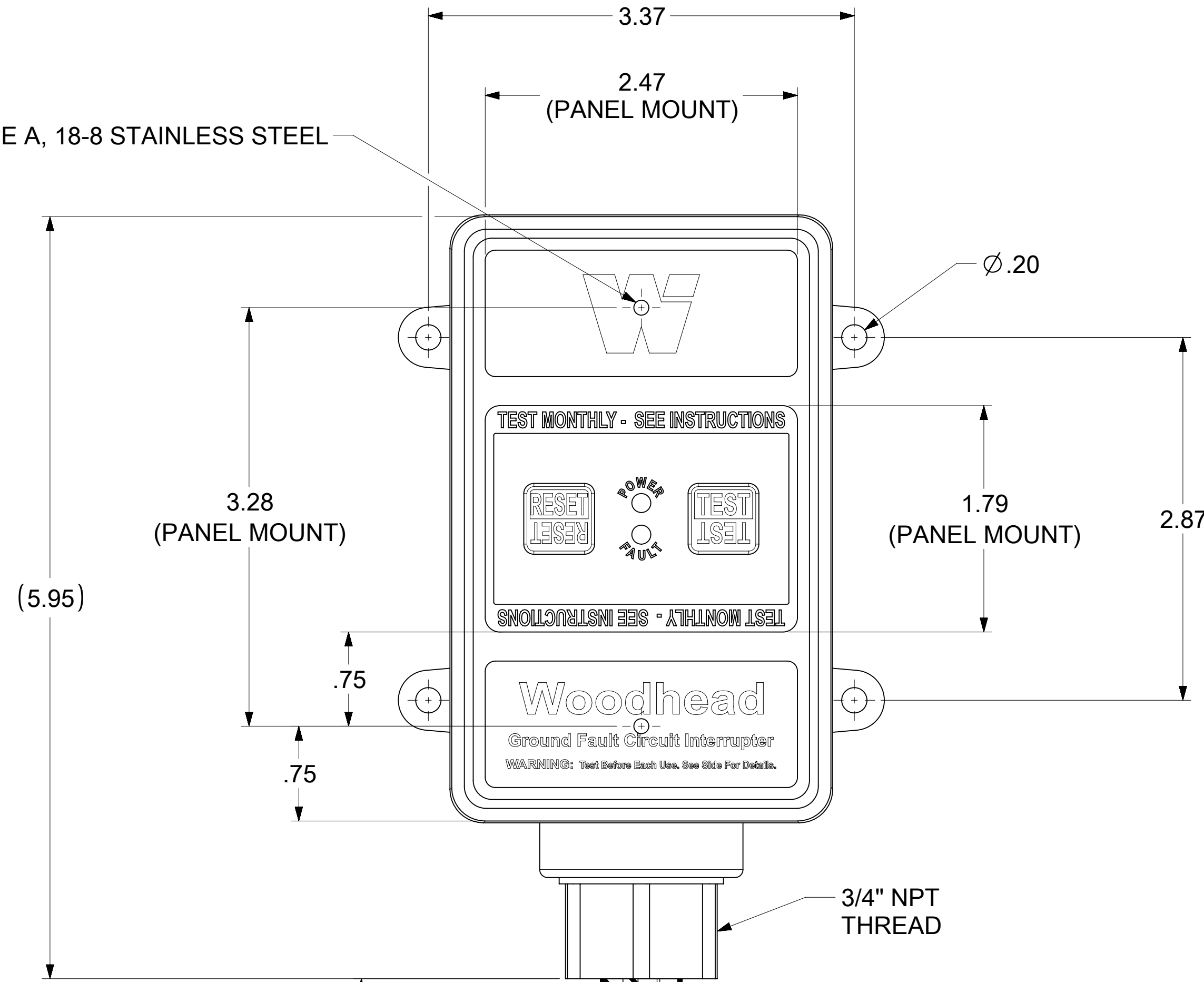


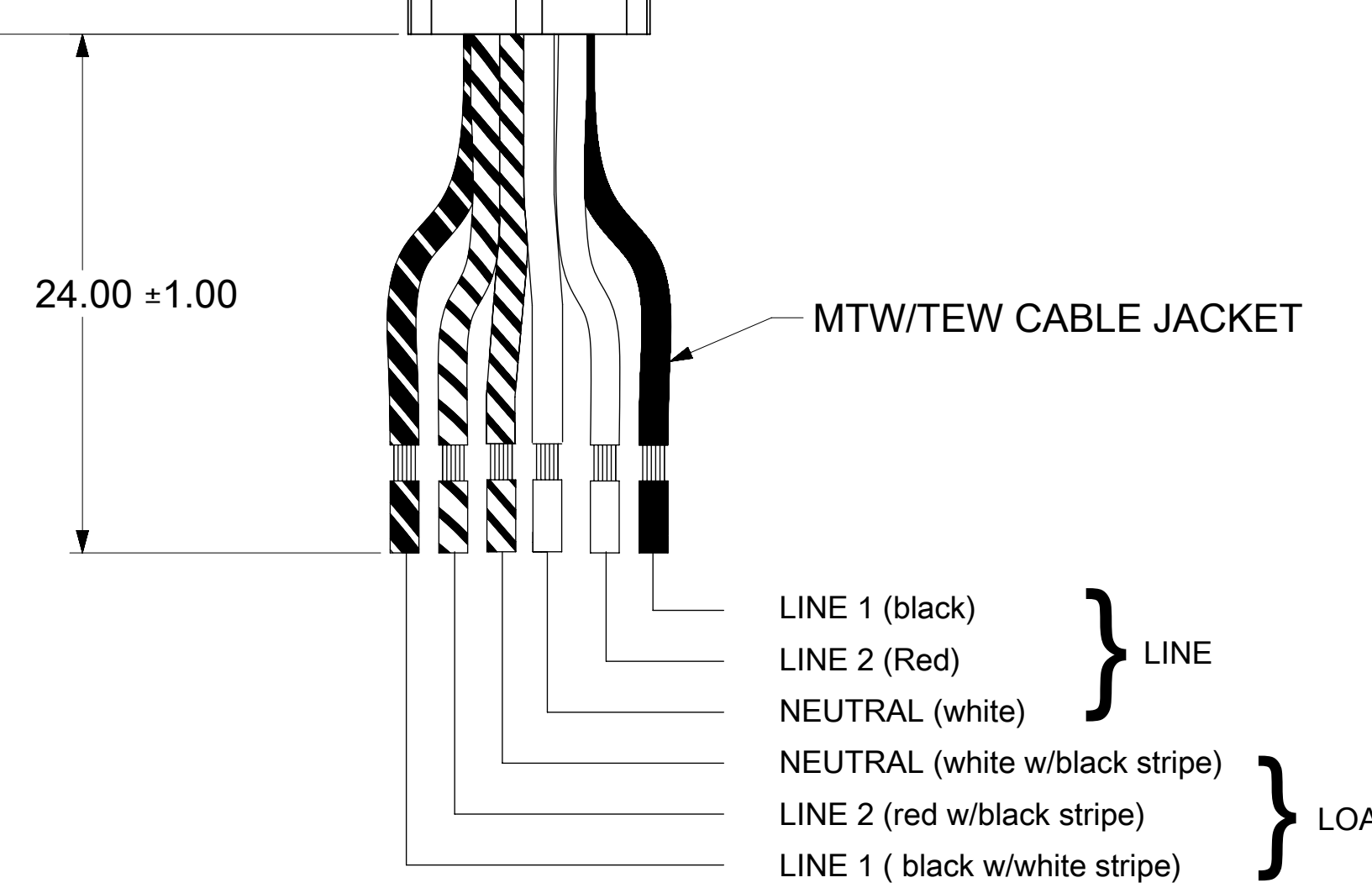
#6-18 X 3/4" PHILLIPS PAN HEAD SHEET METAL SCREW TYPE A, 18-8 STAINLESS STEEL



TEST INSTRUCTIONS LABEL



SPECIFICATIONS LABEL



LINE 1 (black)
 LINE 2 (Red)
 NEUTRAL (white)
 NEUTRAL (white w/black stripe)
 LINE 2 (red w/black stripe)
 LINE 1 (black w/white stripe)

} LINE
 } LOAD

TECHNICAL

LISTED: UL & CSA
 RATED SUPPLY VOLTAGE: 240VAC
 RATED CURRENT: UP TO 30 AMPS
 RESET TYPE: AUTOMATIC OR MANUAL
 OPERATING FREQUENCY: 60 Hz
 TYPE: CLASS A
 GROUND TRIP CURRENT: 5mA +/- 1mA
 OVERLOAD CURRENT: 180 AMPS, 0.45PF
 INSULATION VOLTAGE: 1,500 VRMS - 1 MINUTE
 ENDURANCE OPERATIONS: 3000 OPERATIONS
 ENCLOSURE: NEMA 4X/6P

RESET TYPE	MATERIAL NO.	ENGINEERING NO.	PHASE
MANUAL	1301530264	30051-2MF	SINGLE PHASE
	1301530266	30053-2MF	SINGLE PHASE
AUTOMATIC	1301530263	30051-2AF	SINGLE PHASE
	1301530265	30053-2AF	SINGLE PHASE

FUNCTIONAL SYMBOLS $F_A = 0$ $F_C = 0$ $F_P = 0$ DIVISIONAL SYMBOLS	THIS DRAWING CONTAINS INFORMATION THAT IS PROPRIETARY TO MOLEX ELECTRONIC TECHNOLOGIES, LLC AND SHOULD NOT BE USED WITHOUT WRITTEN PERMISSION		CURRENT REV DESC: MIGRATION TO ECTR/NX		
	DIMENSION UNITS	SCALE	 30A 240VAC FIXED GFCI SINGLE PHASE #10AWG WIRE LEADS PRODUCT CUSTOMER DRAWING		
	INCH	NTS			
	GENERAL TOLERANCES (UNLESS SPECIFIED)				
	MM	INCH	EC NO: 666699	2021/07/09	
4 PLACES	±	±	DRWN: PPURSUTANDEL	2021/08/05	
3 PLACES	±	± 0.005	CHK'D: DNGUYEN62	2021/08/17	
2 PLACES	±	± 0.01	APPR: HKNEELAND		
1 PLACE	±	± 0.02	INITIAL REVISION:		
0 PLACES	±	±	DRWN: BARDEN	2014/04/25	
ANGULAR TOL	±	± 0.5 °	APPR: JFMURPHY	2014/08/02	
DRAFT WHERE APPLICABLE MUST REMAIN WITHIN DIMENSIONS		THIRD ANGLE PROJECTION	DRAWING	SERIES	
			D-SIZE	130153	
DOCUMENT NUMBER	DOC TYPE	DOC PART	REVISION		
SD-130153-042	PSD	001	A1		
MATERIAL NUMBER	CUSTOMER	SHEET NUMBER			
SEE TABLE	GENERAL MARKET	1 OF 1			