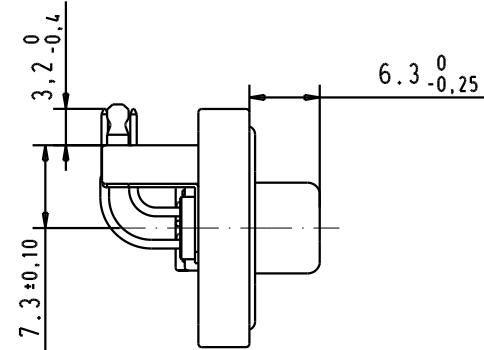
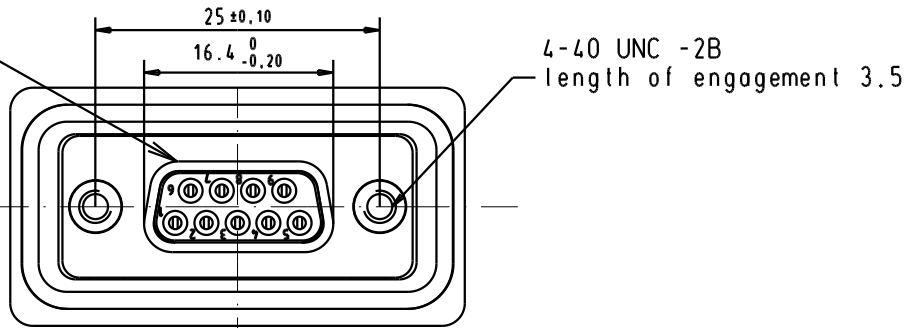
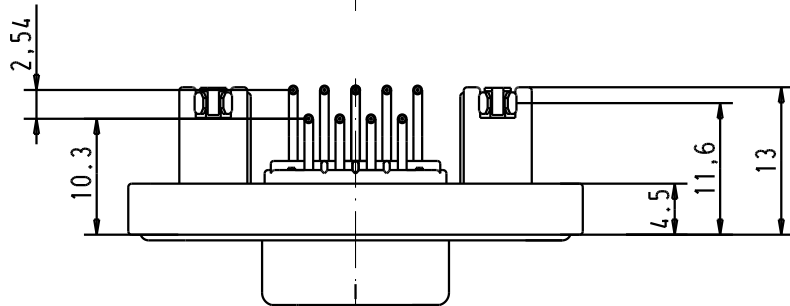


5 4 3 2 1

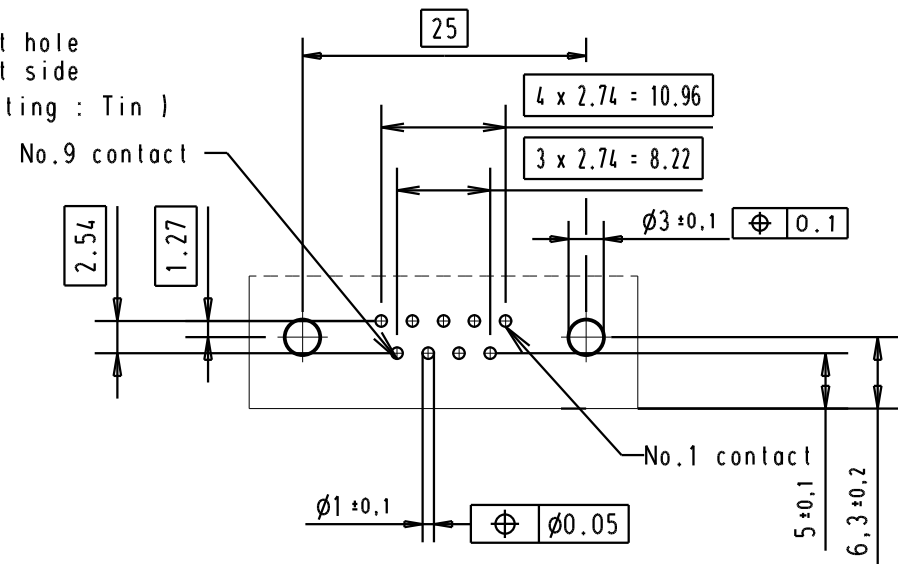
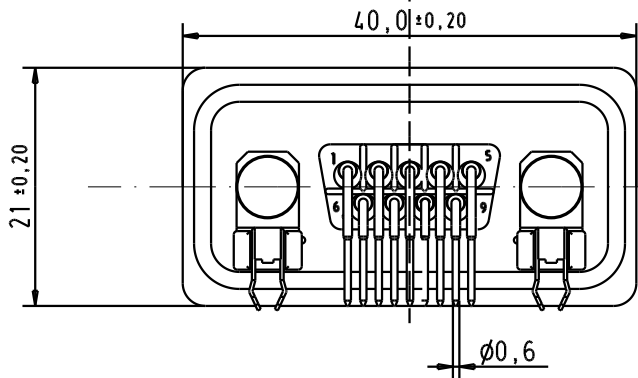
Mating face according to : MIL-C-24308 / DIN 41652 / CECC 75.01-802





1) Protection standard IP 67 according to IEC 529 / DIN 40050.



PCB layout hole component side (PCB holes plating : Tin)



09 67 509 6758	Au plating 0,76 µm mini
Part Number	Performance Level

			Dat.	Name	 All Dim. in mm Orig. Size DIN A 4	
			Detail.	20/01/04		S.H.
			Insp.			
			Stand.			
31587	20/01/04	S.H.	HARTING ELEKTRONIK			
Mod.	Dat.	Name	F-95972 Paris			

	D-SUB IP67 female 09 Poles angled solder pin with bracket and clip for 1.6mm PCB 4-40 UNC nut	Moßstab/Scale
TB 09 67 509 6758		Blatt/Page
Sub.		