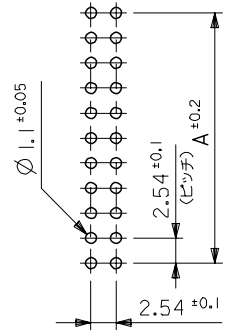
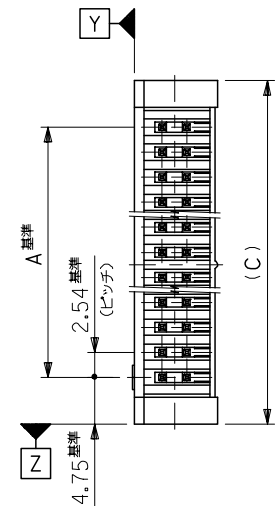
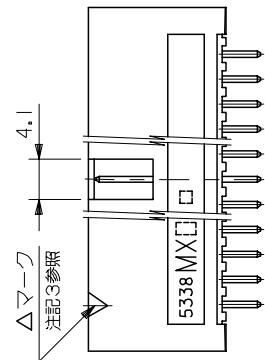
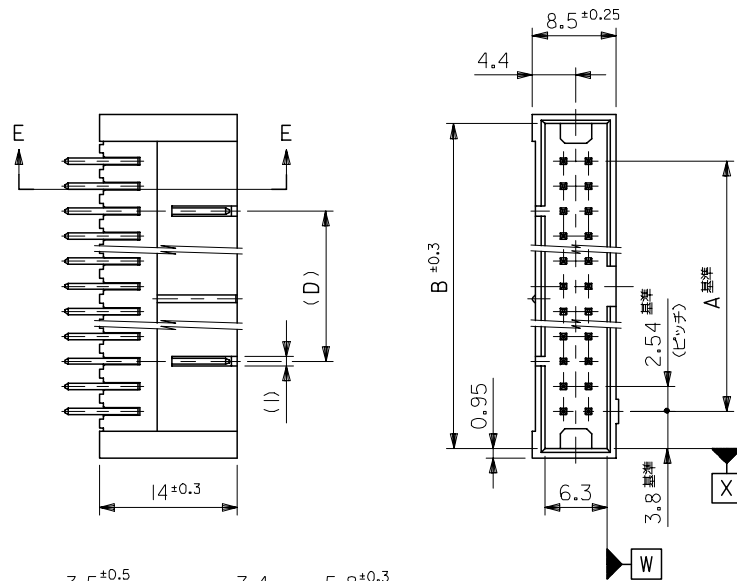
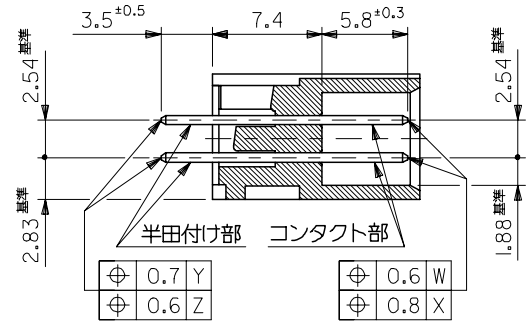


10 9 8 7 6 5 4 3 2 1



基板取付穴推奨寸法



⌀ 0.7 Y	⌀ 0.6 W
⌀ 0.6 Z	⌀ 0.8 X

SECT. E-E
(SCALE 3-1)

注記

- 材料 ウエハー : ガラス繊維 15% 入り PBTP (UL94V-0), 黒色
ピン : 黄銅, サイズ □0.635
- 嵌合相手 : 5320 シリーズ
- 使用符号の説明

5332 - N *
 ベースナンバー _____
 極数 _____
 ピンのメッキコード _____

コード*	△マークの色	コンタクト部	半田付け部	下地メッキ
GS1	黄	金 0.1μm MIN.	半田 3μm MIN.	ニッケル 1μm MIN.
GS3	青	金 0.25μm MIN.		
LEAD-FREE GS17F	黄	金 0.1μm MIN.	錫 1μm MIN.	ニッケル 0.5μm MIN.
LEAD-FREE GS37F	青	金 0.25μm MIN.		
LEAD-FREE T2	黒		錫 1μm MIN.	

60	73.66	81.26	83.16	63.50
50	60.96	68.56	70.46	50.80
40	48.26	55.86	57.76	38.10
34	40.64	48.24	50.14	30.48
30	35.56	43.16	45.06	25.40
26	30.48	38.08	39.98	—
20	22.86	30.46	32.36	—
16	17.78	25.38	27.28	—
14	15.24	22.84	24.74	—
10	10.16	17.76	19.66	—
極数	A 寸法	B 寸法	C 寸法	D 寸法

REVISED EC NO: J2006-2606 DRWN: TAKEMOTO 2006/03/22 CHKD: TANAKA 2006/03/22 APPR: NUKITA 2006/03/24	GENERAL TOLERANCES (UNLESS SPECIFIED)		DIMENSION STYLE MM ONLY		SCALE 2:1	DESIGN UNITS METRIC	THIRD ANGLE PROJECTION
	10 UNDER	±0.2	DRAWN BY H. HIRAMOTO	DATE 1990/06/19	TITLE QIK FLECS WAFER ASSY ST JAPANESE ONLY		
	10 OVER 30 UNDER	±0.25	CHECKED BY M. SASAO	DATE	MOLEX INCORPORATED		
	30 OVER	±0.3	APPROVED BY H. IKESUGI	DATE	DOCUMENT NO. SD-5332-001		
	ANGULAR	±3 °	MATERIAL NO. SEE SHEET 2 OF 2	DATE	SHEET NO. 1 OF 2		
DRAFT WHERE APPLICABLE MUST REMAIN WITHIN DIMENSIONS		THIS DRAWING CONTAINS INFORMATION THAT IS PROPRIETARY TO MOLEX INCORPORATED AND SHOULD NOT BE USED WITHOUT WRITTEN PERMISSION					

10 9 8 7 6 5 4 3 2 1

F

F

E

E

D

D

C

C

B

B

A

A

		60
		50
		40
39-28-534I	5332-34T2	34
▲ -530I	▲ -30T2	30
-526I	-26T2	26
-520I	-20T2	20
-516I	-16T2	16
▼ -514I	▼ -14T2	14
39-28-510I	5332-10T2	10
EDP NO.	ENG. NO.	極 数
5332-NT2	-LEAD FREE-	

39-53-6606	5332-60GS37F	39-26-7607	5332-60GS3	60
▲ -6506	▲ -50GS37F	▲ -7507	▲ -50GS3	50
-6406	-40GS37F	-7407	-40GS3	40
-6346	-34GS37F	-7347	-34GS3	34
-6306	-30GS37F	-7307	-30GS3	30
-6266	-26GS37F	-7267	-26GS3	26
-6206	-20GS37F	-7207	-20GS3	20
-6166	-16GS37F	-7167	-16GS3	16
▼ -6146	▼ -14GS37F	▼ -7147	▼ -14GS3	14
39-53-6106	5332-10GS37F	39-26-7107	5332-10GS3	10
EDP NO.	ENG. NO.	EDP NO.	ENG. NO.	極 数
5332-NGS37F	-LEAD FREE-	5332-NGS3		
39-53-6604	5332-60GS17F	39-26-7605	5332-60GS1	60
▲ -6504	▲ -50GS17F	▲ -7505	▲ -50GS1	50
-6404	-40GS17F	-7405	-40GS1	40
-6344	-34GS17F	-7345	-34GS1	34
-6304	-30GS17F	-7305	-30GS1	30
-6264	-26GS17F	-7265	-26GS1	26
-6204	-20GS17F	-7205	-20GS1	20
-6164	-16GS17F	-7165	-16GS1	16
▼ -6144	▼ -14GS17F	▼ -7145	▼ -14GS1	14
39-53-6104	5332-10GS17F	39-26-7105	5332-10GS1	10
EDP NO.	ENG. NO.	EDP NO.	ENG. NO.	極 数
5332-NGS17F	-LEAD FREE-	5332-NGS1		

REVISED EC NO: J2006-2606 DRW:NTAKEMOTO 2006/03/22 CHK:D:TANAKA 2006/03/22 APPR:NUKITA 2006/03/24	GENERAL TOLERANCES (UNLESS SPECIFIED)		DIMENSION STYLE MM ONLY		SCALE 2:1	DESIGN UNITS METRIC	THIRD ANGLE PROJECTION	
	10 UNDER	± 0.2	DRAWN BY H. HIRAMOTO		DATE 1990/06/19	TITLE QIK FLECS WAFER ASSY ST. JAPANESE ONLY		
	10 OVER 30 UNDER	± 0.25	CHECKED BY M. SASAO		DATE			
	30 OVER	± 0.3	APPROVED BY H. IKESUGI		DATE	MOLEX INCORPORATED		
	ANGULAR	± 3 °	MATERIAL NO.		DOCUMENT NO.			
DRAFT WHERE APPLICABLE MUST REMAIN WITHIN DIMENSIONS		SEE CHART		SD-5332-001		2 OF 2		

9

8

7

6

5

4

3

2

10 9 8 7 6 5 4 3 2 1

F

E

D

C

B

A

F

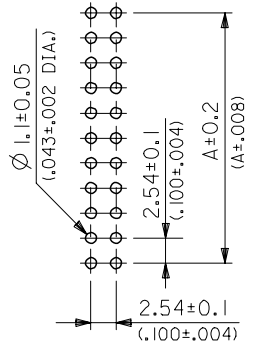
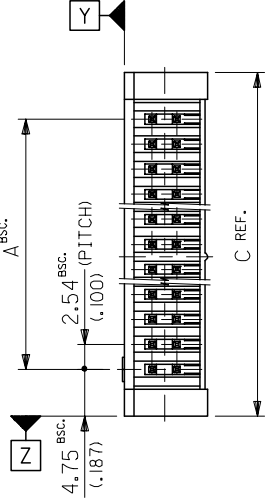
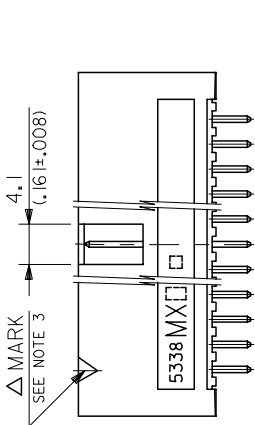
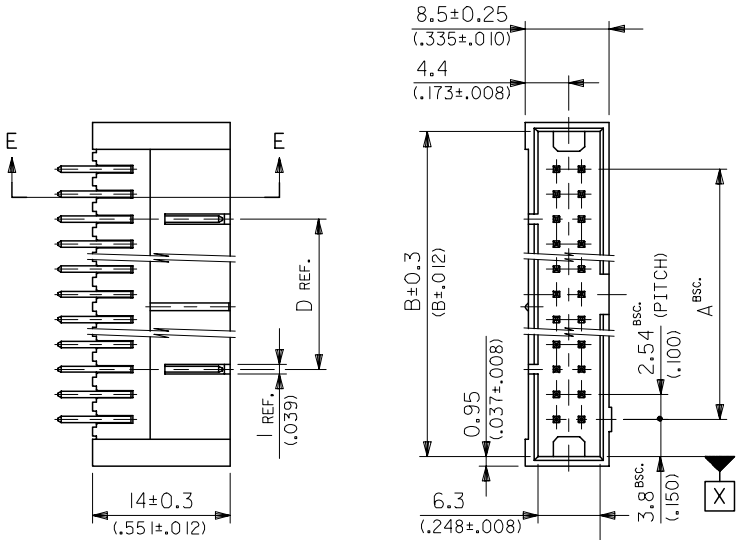
E

D

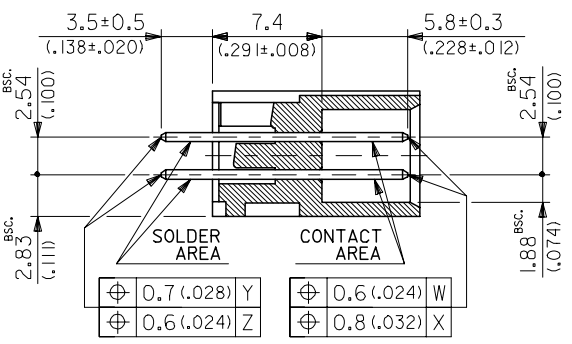
C

B

A



RECOMMENDED P.C.BOARD PATTERN



SECT. E-E
(SCALE 3-1)

NOTES

- MATERIAL WAFER : G.F. 15% PBT (UL94V-0) , COLOR---BLACK
PINS : BRASS, SIZE--- □0.635(.025 SQ.)
- MATES WITH MOLEX CONNECTOR SERIES OF 5320.
- LEGEND

5332 - N *
BASE NUMBER _____
CIRCUIT SIZE _____
PLATING CODE OF PIN _____

CODE:*	Δ MARK COLOR	CONTACT AREA	SOLDER AREA	UNDER PLATE
GS1	YELLOW	GOLD 0.1 μm(.000004) MIN.	TIN-LEAD 3 μm(.00012) MIN.	NICKEL 1 μm(.00004) MIN.
GS3	BLUE	GOLD 0.25 μm(.00001) MIN.		
LEAD-FREE GS17F	YELLOW	GOLD 0.1 μm(.000004) MIN.	TIN 1 μm(.00004) MIN.	NICKEL 1 μm(.00004) MIN.
LEAD-FREE GS37F	BLUE	GOLD 0.25 μm(.00001) MIN.		
LEAD-FREE T2	BLACK	TIN 1 μm(.00004) MIN.		NICKEL 0.5 μm(.00002) MIN.

NO. OF CKTS.	DIM. A	DIM. B	DIM. C	DIM. D
60	73.66 (2.900)	81.26 (3.200)	83.16 (3.274)	63.50 (2.500)
50	60.96 (2.400)	68.56 (2.700)	70.46 (2.774)	50.80 (2.000)
40	48.26 (1.900)	55.86 (2.200)	57.76 (2.274)	38.10 (1.500)
36	43.18 (1.700)	50.78 (2.000)	52.68 (2.074)	33.02 (1.300)
34	40.64 (1.600)	48.24 (1.900)	50.14 (1.974)	30.48 (1.200)
30	35.56 (1.400)	43.16 (1.700)	45.06 (1.774)	25.40 (1.000)
26	30.48 (1.200)	38.08 (1.500)	39.98 (1.574)	— # —
20	22.86 (.900)	30.46 (1.200)	32.36 (1.274)	— # —
16	17.78 (.700)	25.38 (1.000)	27.28 (1.074)	— # —
14	15.24 (.600)	22.84 (.900)	24.74 (.974)	— # —
10	10.16 (.400)	17.76 (.700)	19.66 (.774)	— # —

REVISED EC NO: J2006-2606 DR: WNTAKEMOTO 2006/03/22 CHKD: M.TANAKA 2006/03/22 APPR: NUKITA 2006/03/24	GENERAL TOLERANCES (UNLESS SPECIFIED)		DIMENSION STYLE MM/IN		SCALE 2:1	DESIGN UNITS METRIC	THIRD ANGLE PROJECTION	
	10 UNDER ±0.2 10 OVER 30 UNDER ±0.25 30 OVER ±0.3	ANGULAR ±3 °	DRAFT WHERE APPLICABLE MUST REMAIN WITHIN DIMENSIONS	DRAWN BY H. HIRAMOTO DATE 1989/07/18	CHECKED BY M. SASAO DATE	TITLE QIK FLECS WAFER ASSY ST ENGLISH ONLY		
	APPROVED BY H. IKESUGI DATE			MOLEX INCORPORATED				
	MATERIAL NO. SEE SHEET 2 OF 2			DOCUMENT NO. SD-5332-003		SHEET NO. 1 OF 2		
	THIS DRAWING CONTAINS INFORMATION THAT IS PROPRIETARY TO MOLEX INCORPORATED AND SHOULD NOT BE USED WITHOUT WRITTEN PERMISSION							

10 9 8 7 6 5 4 3 2 1

F

E

D

C

B

A

		60
		50
		40
		36
39-28-5341	5332-34T2	34
↑ -5301	↑ -30T2	30
-5261	↑ -26T2	26
-5201	-20T2	20
↓ -5161	↓ -16T2	16
↓ -5141	↓ -14T2	14
39-28-5101	5332-10T2	10
EDP NO.	ENG. NO.	CKT. SIZE
5332-NT2	-LEAD FREE-	

39-53-6606	5332-60GS37F	39-26-7607	5332-60GS3	60
↑ -6506	↑ -50GS37F	↑ -7507	↑ -50GS3	50
-6406	-40GS37F	-7407	-40GS3	40
-6366	-36GS37F	-7367	-36GS3	36
-6346	-34GS37F	-7347	-34GS3	34
-6306	-30GS37F	-7307	-30GS3	30
-6266	-26GS37F	-7267	-26GS3	26
-6206	-20GS37F	-7207	-20GS3	20
-6166	-16GS37F	-7167	-16GS3	16
↓ -6146	↓ -14GS37F	↓ -7147	↓ -14GS3	14
39-53-6106	5332-10GS37F	39-26-7107	5332-10GS3	10
EDP NO.	ENG. NO.	EDP NO.	ENG. NO.	CKT. SIZE
5332-NGS37F	-LEAD FREE-	5332-NGS3		
39-53-6604	5332-60GS17F	39-26-7605	5332-60GS1	60
↑ -6504	↑ -50GS17F	↑ -7505	↑ -50GS1	50
-6404	-40GS17F	-7405	-40GS1	40
-6364	-36GS17F	-7365	-36GS1	36
-6344	-34GS17F	-7345	-34GS1	34
-6304	-30GS17F	-7305	-30GS1	30
-6264	-26GS17F	-7265	-26GS1	26
-6204	-20GS17F	-7205	-20GS1	20
-6164	-16GS17F	-7165	-16GS1	16
↓ -6144	↓ -14GS17F	↓ -7145	↓ -14GS1	14
39-53-6104	5332-10GS17F	39-26-7105	5332-10GS1	10
EDP NO.	ENG. NO.	EDP NO.	ENG. NO.	CKT. SIZE
5332-NGS17F	-LEAD FREE-	5332-NGS1		

REVISED EC NO: J2006-2606 DRWN: TAKEMOTO 2006/03/22 CHKD: TANAKA 2006/03/22 APPR: NUKITA 2006/03/24	GENERAL TOLERANCES (UNLESS SPECIFIED)		DIMENSION STYLE MM/IN		SCALE 2:1	DESIGN UNITS METRIC	THIRD ANGLE PROJECTION		
	10 UNDER	± 0.2	DRAWN BY H. HIRAMOTO		DATE 1989/07/18	TITLE QIK FLECS WAFER ASSY ST ENGLISH ONLY			
	10 OVER 30 UNDER	± 0.25	CHECKED BY M. SASAO		DATE				
	30 OVER	± 0.3	APPROVED BY H. IKESUGI		DATE	MOLEX INCORPORATED			
	ANGULAR	± 3 °	MATERIAL NO.		DOCUMENT NO.				
DRAFT WHERE APPLICABLE MUST REMAIN WITHIN DIMENSIONS		SIZE A3		SEE CHART		SD-5332-003		2 OF 2	