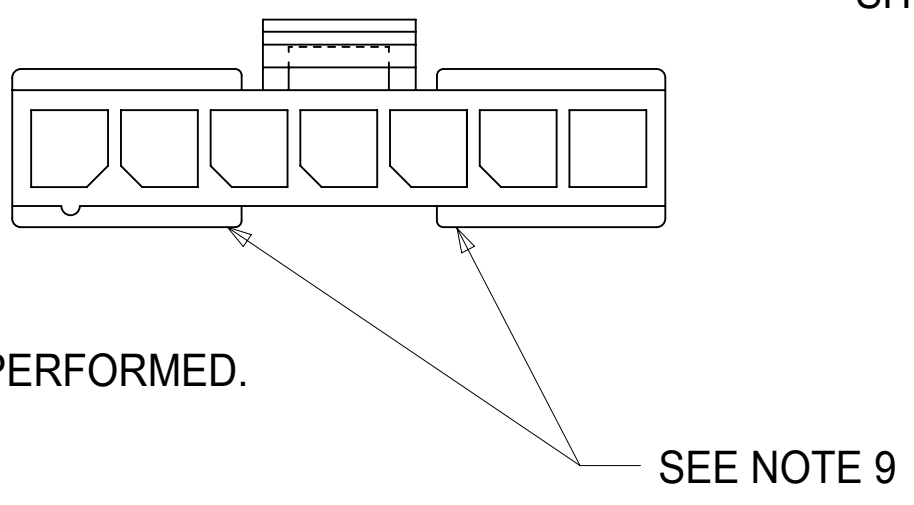
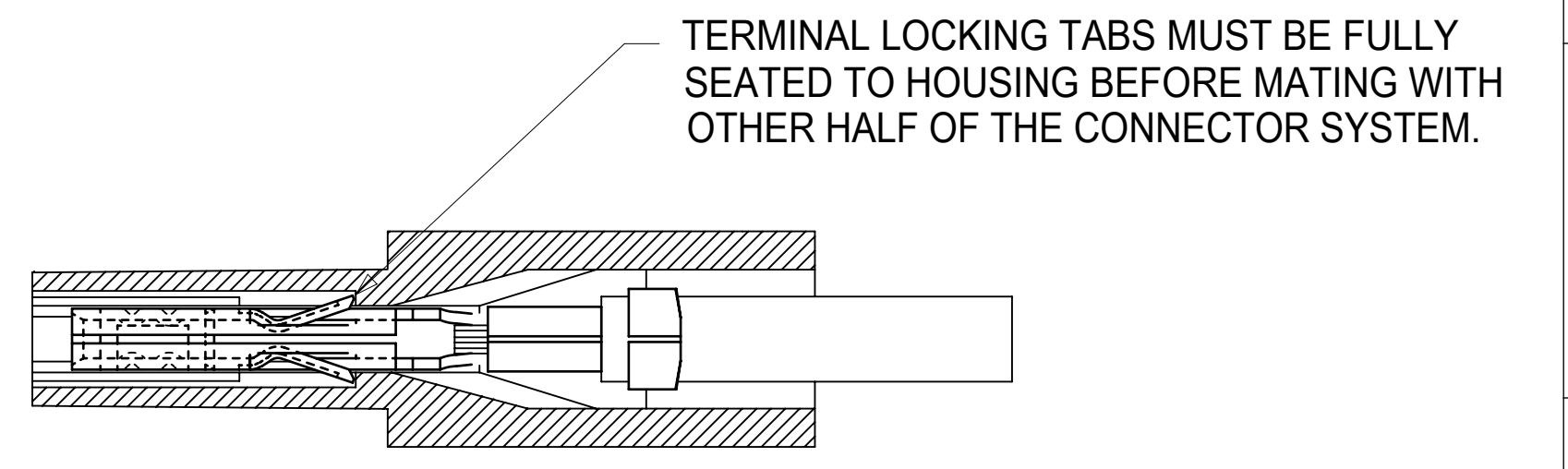
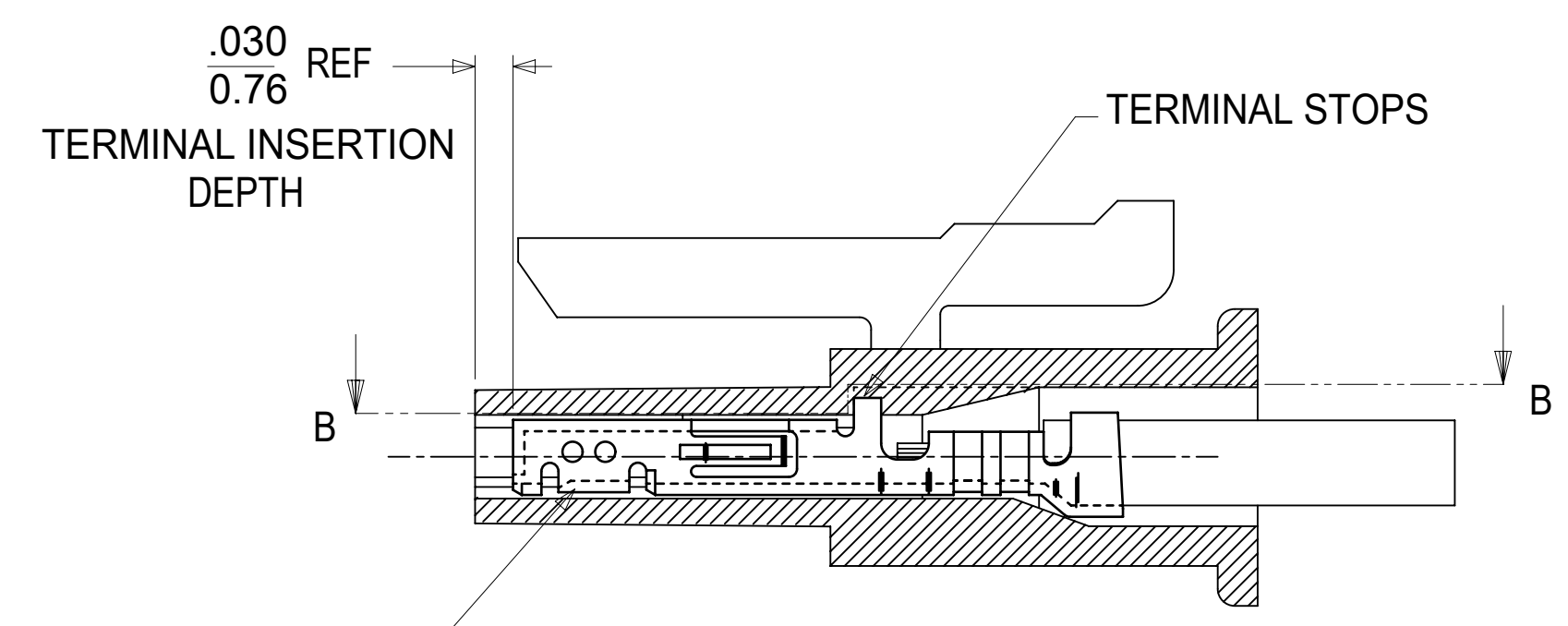
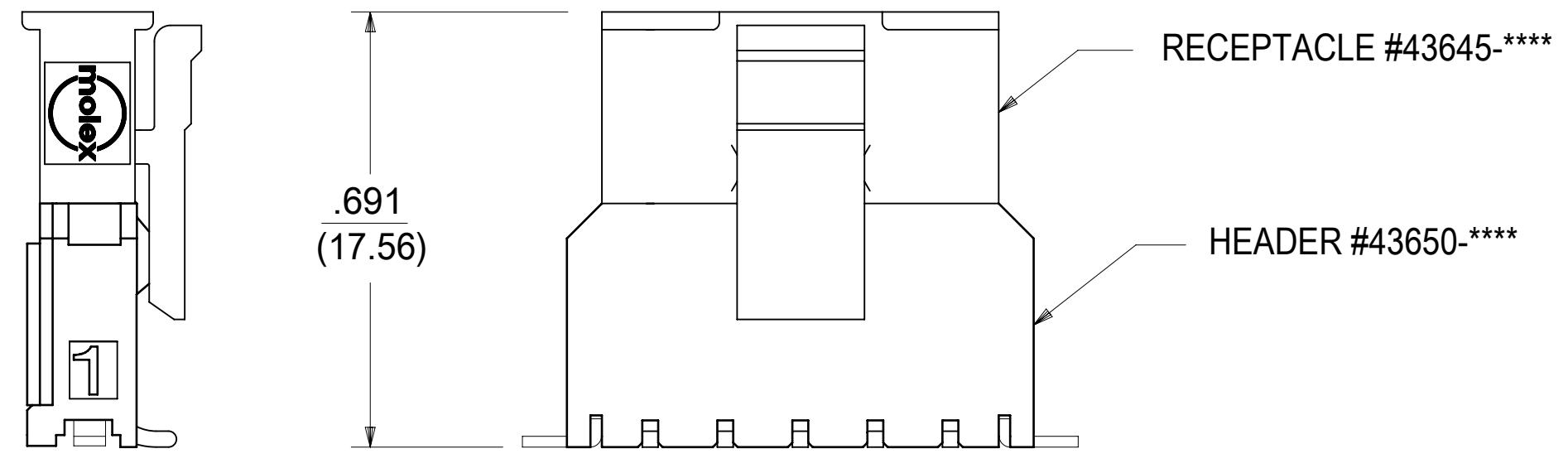
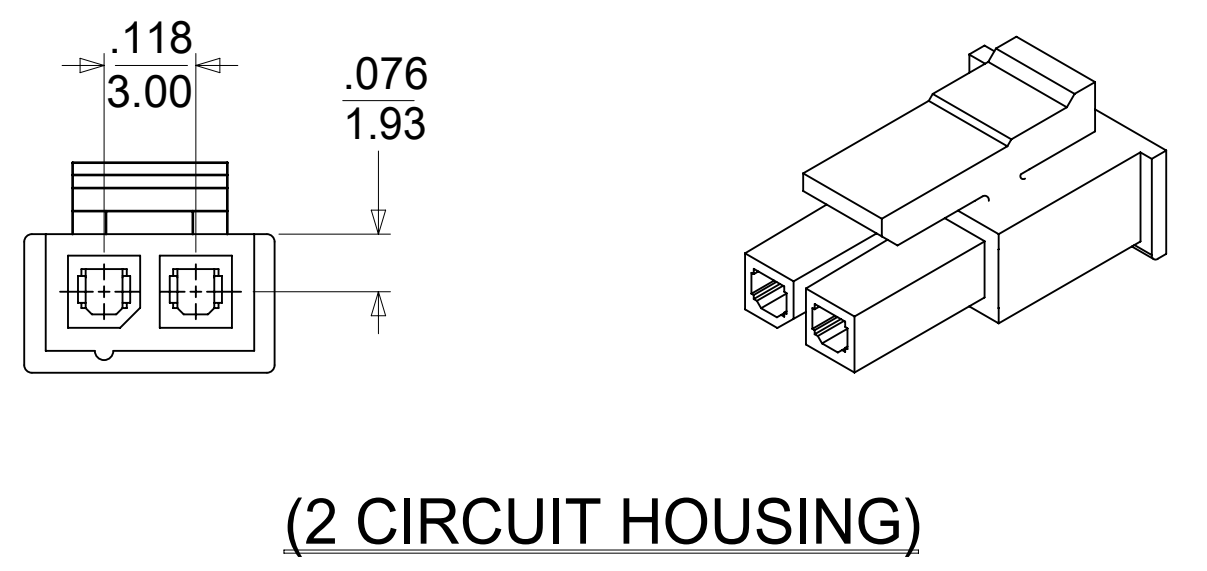
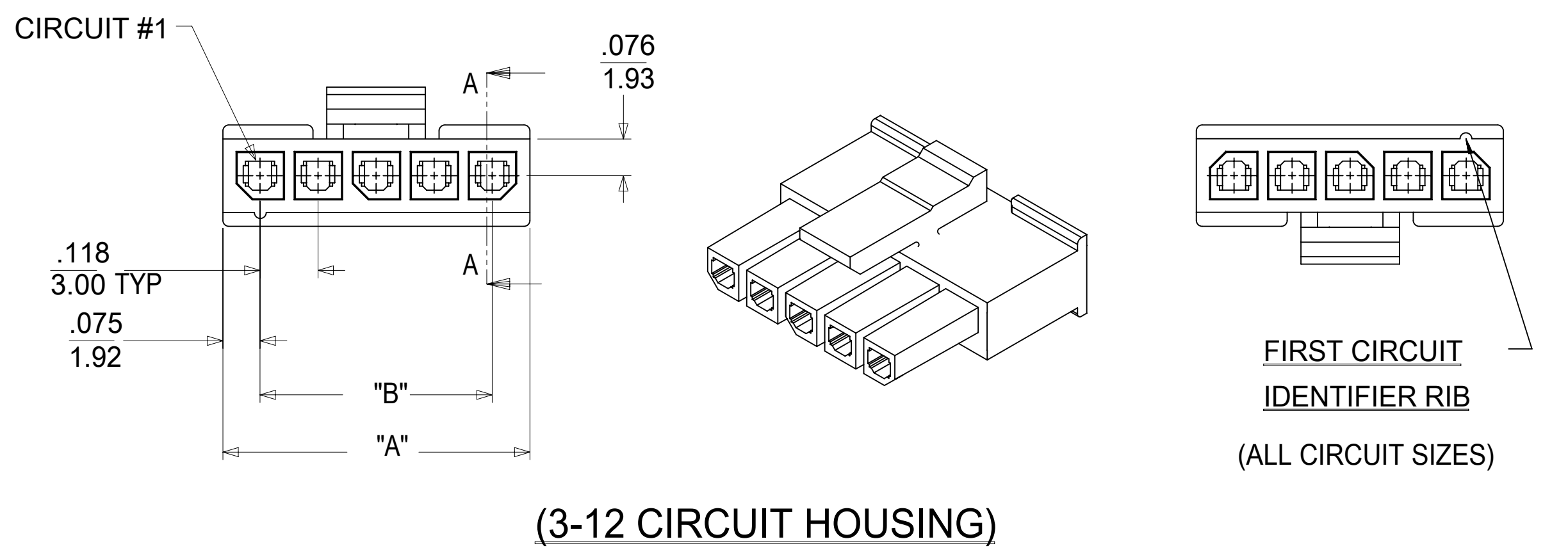
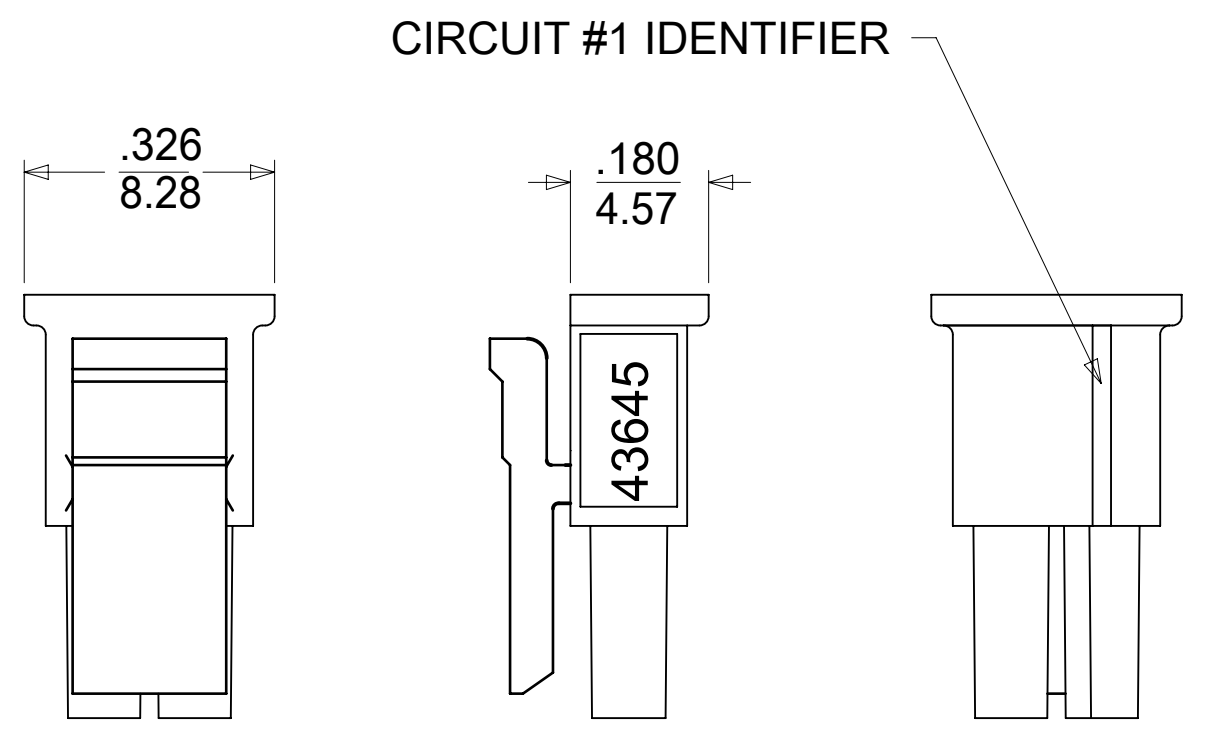
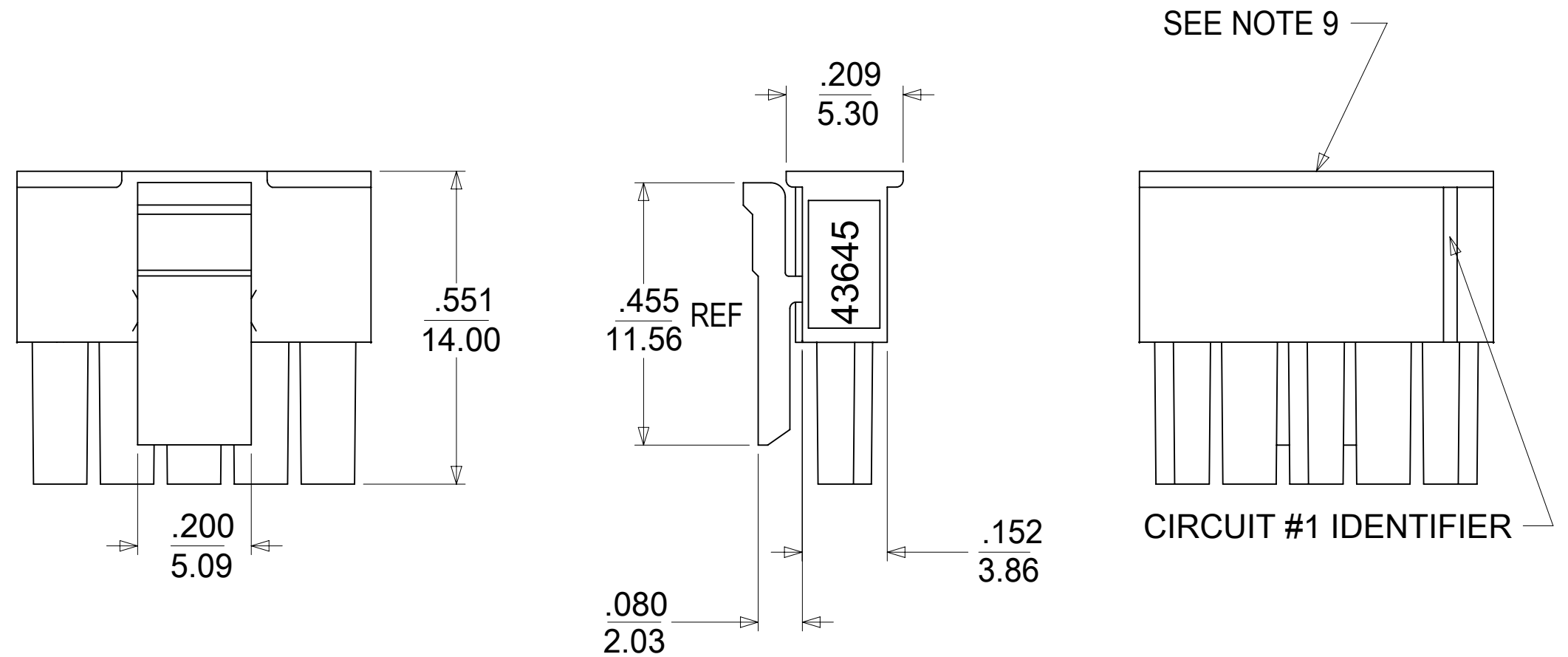


TOOLED	MATERIAL NUMBER	NUMBER OF CIRCUIT	DIM. "A"	DIM. "B"
YES	43645-0210	02	SEE DETAIL	.118/(3.00)
YES	43645-0310	03	.388/(9.85)	.236/(6.00)
YES	43645-0410	04	.506/(12.85)	.354/(9.00)
YES	43645-0510	05	.624/(15.85)	.472/(12.00)
YES	43645-0610	06	.742/(18.85)	.591/(15.00)
NO	43645-0710	07	.860/(21.85)	.709/(18.00)
NO	43645-0810	08	.978/(24.85)	.827/(21.00)
NO	43645-0910	09	1.096/(27.85)	.945/(24.00)
NO	43645-1010	10	1.215/(30.85)	1.063/(27.00)
NO	43645-1110	11	1.333/(33.85)	1.181/(30.00)
NO	43645-1210	12	1.451/(36.85)	1.299/(33.00)



- NOTES:**
- MATERIAL : UNFILLED NYLON, UL94V-2, IEC 60335-1 GLOW WIRE CAPABLE, COLOR - BLACK. \* MATERIAL NUMBERS ON THIS DRAWING ARE GLOW WIRE CAPABLE SINCE INCEPTION.
  - FINISH : N/A
  - PRODUCT SPECIFICATION : PS-43650
  - PACKAGING SPECIFICATION: PK-43645-001.
  - THIS RECEPTACLE TO BE USED WITH MOLEX FEMALE TERMINAL SERIES 43030 OR 46235. SEE SECTION "A"-A" FOR TERMINAL ORIENTATION IN HOUSING.
  - FOR OVERMOLDING PARAMETERS SEE APPLICATION SPECIFICATON 430250000-AS.
  - THIS RECEPTACLE MATES WITH MOLEX PCB HEADER 43650 SERIES AND MOLEX PLUG 43640 SERIES (WIRE TO WIRE APPLICATIONS).
  - MOLEX RECOMMENDS THE USE OF MICRO-FIT TEST PLUG, SERIES 44242-\*\*\*\* WHENEVER CONTINUITY TESTING IS PERFORMED. TEST PLUGS MUST NOT BE USED TO MAKE OR BREAK UNDER LOAD. MOLEX DOES NOT RECOMMEND USING STANDARD MATING COMPONENTS FOR HARNESS TESTING PURPOSES.
  - THIS RIB IS DISCONTINUOUS ON CIRCUIT SIZES 7 THROUGH 12
  - THIS PART CONFORMS TO CLASS 'B' REQUIREMENTS OF COSMETIC SPECIFICATION PS-45499-002, WITH THE EXCEPTION OF FLASH, DISCOLORATION, AND SINK MEET CLASS "C" REQUIREMENTS.
  - HOUSINGS MAY HAVE DISCOLORATION AREAS THAT DO NOT AFFECT FUNCTIONALITY. DISCOLORATION AREAS MAY EXTEND ACROSS THE ENTIRE LENGTH OF THE FACES OF THE PART.
  - TEXT ON PART IS FOR REFERENCE ONLY. TEXT AND TEXT LOCATION MAY VARY DEPENDING ON PART NUMBER AND/OR TOOL.

**MATED MICRO-FIT CONNECTOR**

**SECTION "A"-A"**

**SECTION "B"-B"**

SYMBOLS		THIS DRAWING CONTAINS INFORMATION THAT IS PROPRIETARY TO MOLEX ELECTRONIC TECHNOLOGIES, LLC AND SHOULD NOT BE USED WITHOUT WRITTEN PERMISSION		CURRENT REV DESC: UPDATE NOTE 6	
▽ = 0	IN/MM	SCALE		NTS	
▽ = 0	GENERAL TOLERANCES (UNLESS SPECIFIED)		EC NO: 168740		
▽ = 0	4 PLACES ±	MM	INCH	DRWN: AZAHIROVIC	2018/01/03
▽ = 0	3 PLACES ±	± 0.01		CHK'D: SSOUSEK	2018/06/01
▽ = 0	2 PLACES ±	± 0.25 ± 0.014		APPR: FSMITH	2018/06/01
▽ = 0	1 PLACE ±	± 0.35 ±		INITIAL REVISION:	
▽ = 0	0 PLACES ±	±		DRWN: JDFOX	2015/02/09
▽ = 0	ANGULAR TOL	± 0.5 °		APPR: FSMITH	2016/08/12
▽ = 0	DRAFT WHERE APPLICABLE MUST REMAIN WITHIN DIMENSIONS		THIRD ANGLE PROJECTION	DRAWING	SERIES
▽ = 0			⊕	D-SIZE	43645
DOCUMENT STATUS		P1		RELEASE DATE	2018/06/01 21:26:27
DOCUMENT NUMBER		DOC TYPE		DOC PART	REVISION
SD-43645-002		PSD		001	A3
MATERIAL NUMBER		CUSTOMER		SHEET NUMBER	
SEE CHART		GENERAL MARKET		1 OF 1	