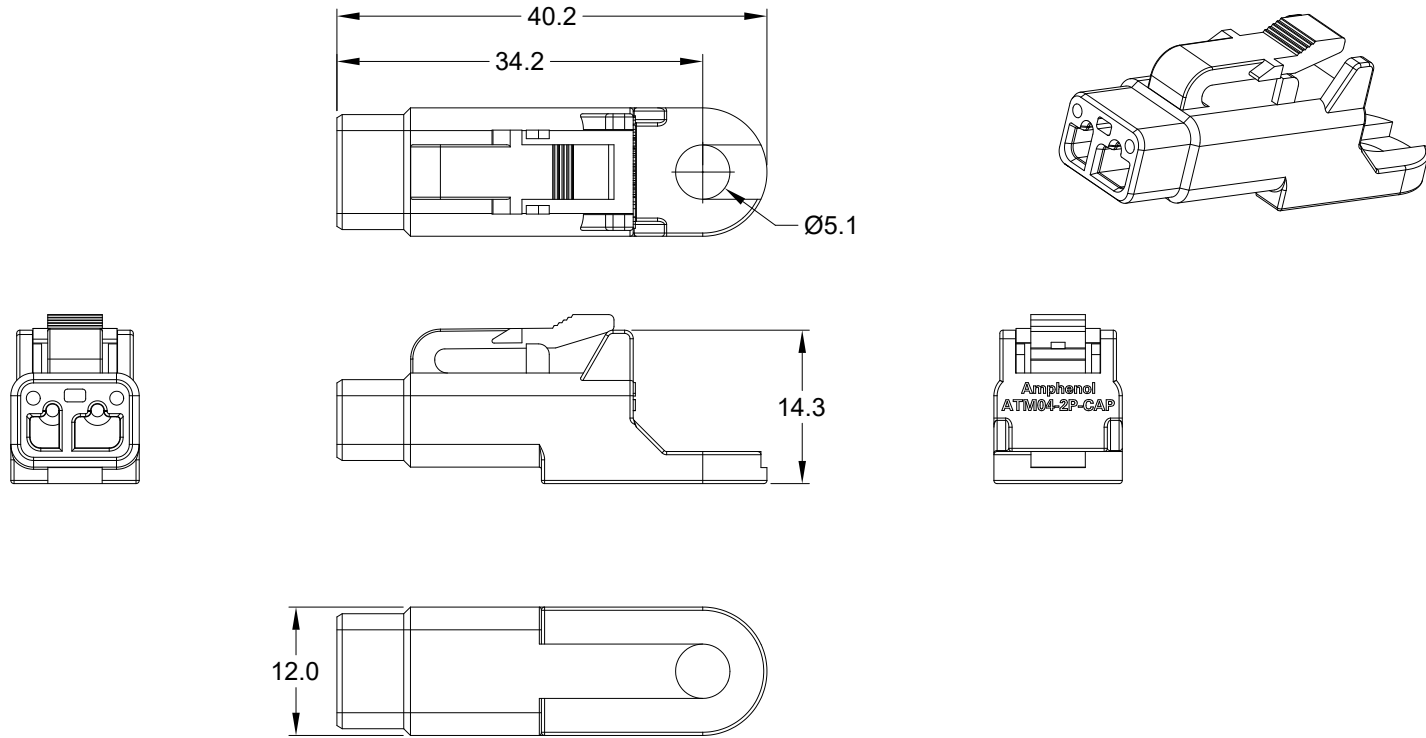



REVISIONS					
REV	ECO	DESCRIPTION	DATE	BY	APPR
A1	--	RELEASE NEW PRODUCT	01-SEP-20	SEVEN	TOMMY



NOTES: UNLESS OTHERWISE SPECIFIED

1. MATERIAL: THERMOPLASTIC, COLOR: GREY
2. RoHS COMPLIANT
3. MOISTURE RESISTANCE: IP68 ( 1M OF WATER FOR A PERIOD OF 24 HOURS , MATED CONDITION )
4. TEMPERATURE RANGE: -55°C~125°C
5. USE WITH CONNECTORS ATM04-2P\* ( \* = MODIFICATIONS AND/OR COLORS )
6. ALL DIMENSIONS ARE FOR REFERENCE USE ONLY.

ATM04-2P-CAP		DESCRIPTION		ITEM								
PART NUMBER		DESCRIPTION		ITEM								
QUANTITY	<b>MATERIALS LIST</b>											
<b>UNLESS OTHERWISE SPECIFIED</b> 1) All dimensions are in metric(mm). 2) Tolerances are as follows: 1 PL DEC ±0.30      Fractions ±1/64 2 PL DEC ±0.15      Angles ±1° 3 PL DEC ±0.08 3) Note reference = 	<b>SIGNATURES</b>	<b>DATE</b>	<h1 style="text-align: center;">Amphenol</h1> <hr/> <p style="text-align: center;">Sine Systems - www.amphenol-sine.com                      44724 Morley Drive                      Clinton Township, MI 48036</p> <p style="text-align: center;"><b>2 POS,DUST CAP FOR RECEPTACLE, ATM SERIES</b></p>									
	DRAWN: SEVEN.MAO	01SEP20										
	CHECKED: ORION.LI	02SEP20										
	ENGINEER:											
MATERIAL SPECIFICATIONS:	APPROVAL: TOMMY.XIE	02SEP20	<table border="1" style="width: 100%;"> <tr> <th>SIZE</th> <th>TYPE</th> <th>DWG NO:</th> <th>REVISION</th> </tr> <tr> <td>A</td> <td>C-</td> <td>ATM04-2P-CAP</td> <td>A1</td> </tr> </table>		SIZE	TYPE	DWG NO:	REVISION	A	C-	ATM04-2P-CAP	A1
SIZE	TYPE	DWG NO:			REVISION							
A	C-	ATM04-2P-CAP			A1							
PROCESS SPECIFICATIONS:	CUSTOMER:											
NEXT ASSY:	THIS DRAWING IS SUPPLIED FOR INFORMATION ONLY. DESIGN FEATURES, SPECIFICATIONS AND PERFORMANCE DATA SHOWN HEREON ARE THE PROPERTY OF THE AMPHENOL CORPORATION. NO RIGHTS OF REPRODUCTION ARE IMPLIED. ALL DIMENSIONS ARE SUBJECT TO NORMAL MANUFACTURING VARIATIONS.											
SCALE: NONE		SHEET 1 OF 1										