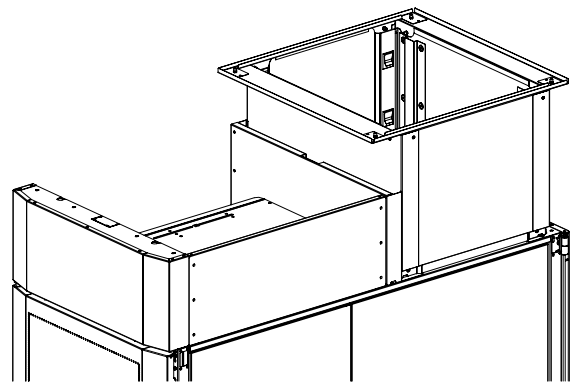


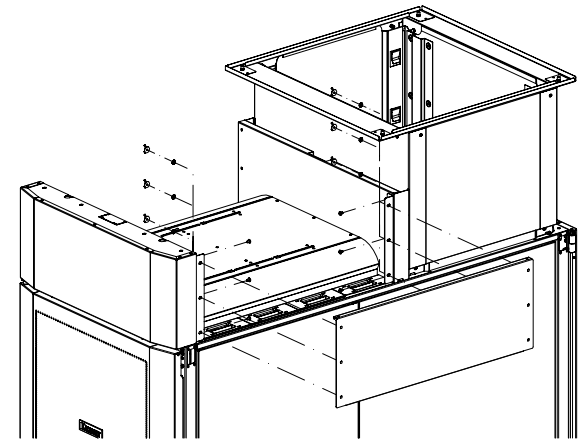
2

1

THIS COPY IS PROVIDED ON A RESTRICTED BASIS AND IS NOT TO BE USED IN ANY WAY DETRIMENTAL TO THE INTERESTS OF PANDUIT CORP.



ASSEMBLED VIEW
CABINET NOT INCLUDED



APPLICATION VIEW
CABINET NOT INCLUDED

| PANDUIT PART NO. | WEIGHT |
|------------------|------------------------------|
| SN1200VCREC | 3.6 LBS/EACH 1.62 Kg/EACH |

- VISIT OUR ON-LINE CATALOG AT WWW.PANDUIT.COM FOR A LIST OF CURRENT PARTS APPLICABLE FOR USE WITH THIS PRODUCT.
- PRIMARY DIMENSIONS ARE METRIC (mm). DIMENSIONS IN PARENTHESES ARE IN INCHES (IN).
- PARTS SUPPLIED:
 1- 1200 VED END OF ROW PANEL
 2- END OF ROW PANEL "L" BRACKET
 1- HARDWARE KIT
 1- INSTRUCTION SHEET
- FULLY BONDED STRUCTURE WHEN ASSEMBLED PER INSTRUCTIONS.
- COMPATIBLE WITH 1200mm DEEP NET-ACCESS N-TYPE AND S-TYPE VED CABINETS.
- PART NUMBER SHOWN AS BLACK. ADD SUFFIX "W" FOR WHITE. "G" FOR GRAY.

B

B

A

A

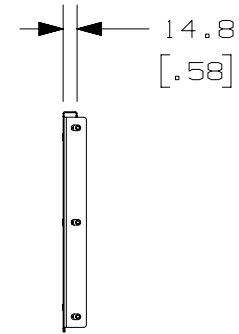
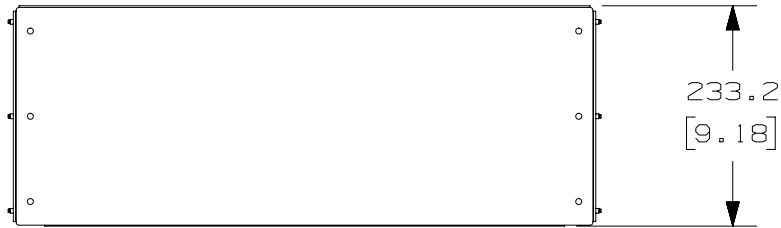
| 00A | 4-02-15 | PBS | RAMA | TCN | RELEASED TO PRODUCTION | | | | V09000II |
|-----|---------|-----|------|-----|------------------------|-----|--|--|----------|
| REV | DATE | BY | CHK | APR | DESCRIPTION | ECN | | | |

| | | | |
|---|------------------------|---|----------------------|
| TITLE (SN1200VCREC) NET-ACCESS N-TYPE AND S-TYPE VED CABINETS TOP OF CABINET CABLE MANAGER - END OF ROW PANEL | | | |
| CUSTOMER DRAWING | | | |
| ITEM REVISION NAME 09V094PE/00 | | PANDUIT | |
| DATASET FILE NAME 09V094PE_DC/00A | | | |
| | | MATERIAL: N/A | |
| | | DRAWING NUMBER: 09V094PE - DC | |
| DRAWN BY PBS | DATE 4-02-15 | CHK RAMA | SCALE NONE |
| SHT 1 OF 2 | | | SIZE A |

2

1

THIS COPY IS PROVIDED ON A RESTRICTED BASIS AND IS NOT TO BE USED IN ANY WAY DETRIMENTAL TO THE INTERESTS OF PANDUIT CORP.



| 00A | 4-02-15 | PBS | RAMA | TCN | RELEASED TO PRODUCTION | | | V09000II | |
|-----|---------|-----|------|-----|------------------------|--|--|----------|--|
| REV | DATE | BY | CHK | APR | DESCRIPTION | | | ECN | |

| | | | | | | | | | |
|---|--|-----------------|--|-------------|----------------------------------|---------------|--|------------------------|--|
| TITLE (SN1200VCREC) NET-ACCESS N-TYPE AND S-TYPE VED CABINETS TOP OF CABINET CABLE MANAGER - END OF ROW PANEL | | | | | | | | | |
| CUSTOMER DRAWING | | | | | | | | | |
| ITEM REVISION NAME 09V094PE/00 | | | | | | | | | |
| DATASET FILE NAME 09V094PE_DC/00A | | | | | | | | | |
| | | | | | MATERIAL: N/A | | | | |
| | | | | | DRAWING NUMBER: 09V094PE - DC | | | | |
| DRAWN BY PBS | | DATE 4-02-15 | | CHK RAMA | | SCALE NONE | | SHT 2 OF 2 | |
| | | | | | | | | THIRD ANGLE PROJECTION | |
| | | | | | | | | SIZE A | |

D10100DA/16