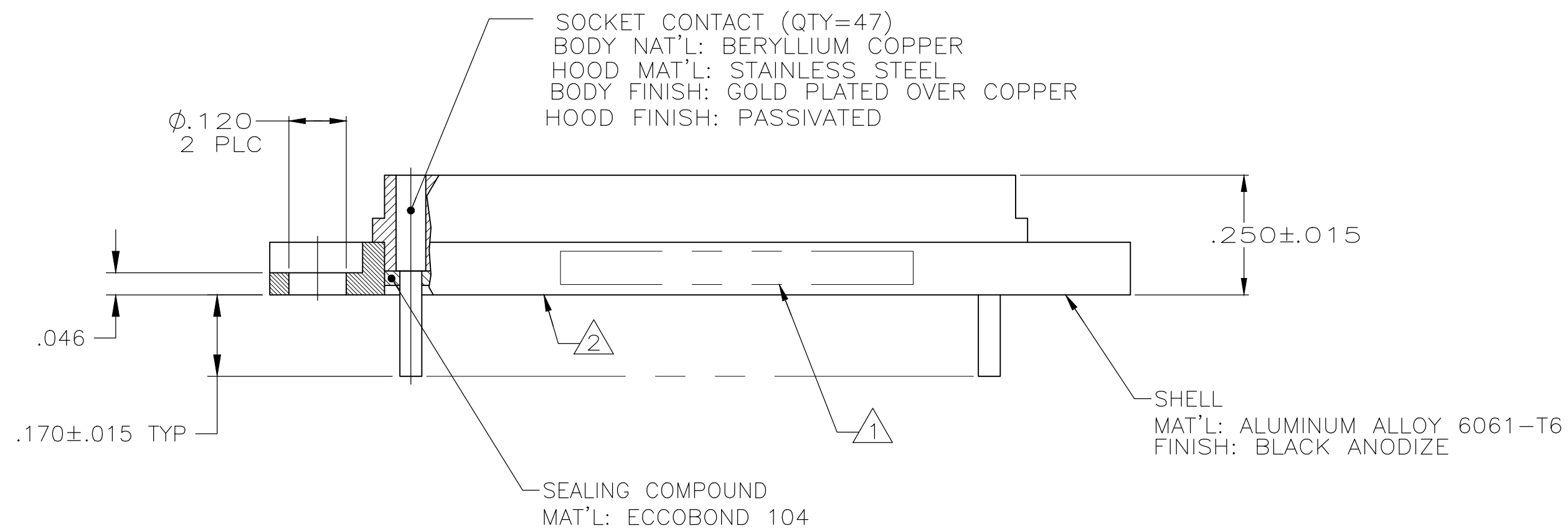
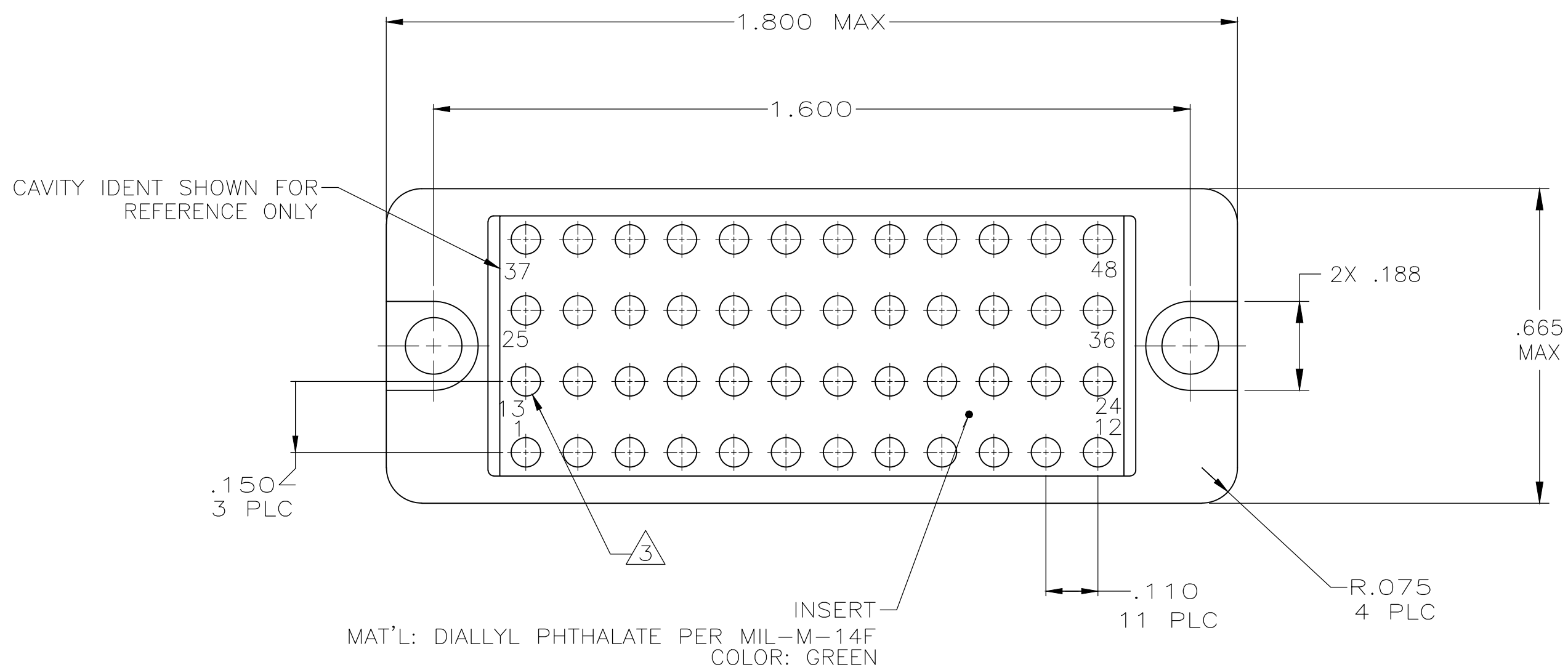


THIS DRAWING IS UNPUBLISHED. RELEASED FOR PUBLICATION
 © COPYRIGHT - TE Connectivity ALL RIGHTS RESERVED.

REVISIONS					
P	LTR	DESCRIPTION	DATE	DWN	APVD
C		REV PER ECO 18-010204	8-25-18	CT	DM



- ① AMP, DATE CODE AND AMP PART NO. MARKED IN THIS AREA
- ② THIS SURFACE SHALL HAVE BLACK ANODIZE REMOVED AND SHALL HAVE A PROTECTIVE SURFACE COATING PER MIL-C-81076, CLASS 1A, FORM III. (IRIDITE,ALODINE OR EQUIV.)
- ③ CONTACT NOT INSTALLED IN POSITION #13.

594038-2
PART NO.

THIS DRAWING IS A CONTROLLED DOCUMENT.		DWN	C.C.THOMAS	4/21/98	TE TE Connectivity																		
DIMENSIONS: INCHES		CHK	D.NALLY	5-13-98																			
TOLERANCES UNLESS OTHERWISE SPECIFIED:		APVD	D.NALLY	5-13-98																			
<table border="1"> <tr><td>0 PLC</td><td>±</td><td>-</td></tr> <tr><td>1 PLC</td><td>±</td><td>-</td></tr> <tr><td>2 PLC</td><td>±</td><td>-</td></tr> <tr><td>3 PLC</td><td>±</td><td>.005</td></tr> <tr><td>4 PLC</td><td>±</td><td>-</td></tr> <tr><td>ANGLES</td><td>±</td><td>-</td></tr> </table>		0 PLC	±	-		1 PLC	±	-	2 PLC	±	-	3 PLC	±	.005	4 PLC	±	-	ANGLES	±	-	PRODUCT SPEC	NAME	
0 PLC	±	-																					
1 PLC	±	-																					
2 PLC	±	-																					
3 PLC	±	.005																					
4 PLC	±	-																					
ANGLES	±	-																					
MATERIAL SEE CALLOUTS		FINISH	SEE CALLOUTS		SIZE	A2	CAGE CODE	00779	DRAWING NO	C=594038	RESTRICTED TO	-											
CUSTOMER DRAWING		WEIGHT	0.000000		SCALE	4:1	SHEET	1 OF 1	REV	C													