

DM74S373, DM74S374 3-STATE Octal D-Type Transparent Latches and Edge-Triggered Flip-Flops

General Description

These 8-bit registers feature totem-pole 3-STATE outputs designed specifically for driving highly-capacitive or relatively low-impedance loads. The high-impedance state and increased high-logic-level drive provide these registers with the capability of being connected directly to and driving the bus lines in a bus-organized system without need for interface or pull-up components. They are particularly attractive for implementing buffer registers, I/O ports, bidirectional bus drivers, and working registers.

The eight latches of the DM74S373 are transparent D-type latches meaning that while the enable (G) is high the Q outputs will follow the data (D) inputs. When the enable is taken low the output will be latched at the level of the data that was set up.

The eight flip-flops of the DM74S374 are edge-triggered D-type flip-flops. On the positive transition of the clock, the Q outputs will be set to the logic states that were set up at the D inputs.

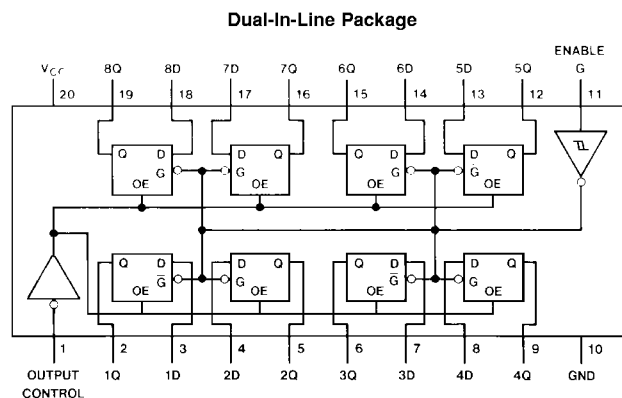
Schmitt-trigger buffered inputs at the enable/clock lines simplify system design as ac and dc noise rejection is improved by typically 400 mV due to the input hysteresis. A buffered output control input can be used to place the eight outputs in either a normal logic state (high or low logic levels) or a high-impedance state. In the high-impedance state the outputs neither load nor drive the bus lines significantly.

The output control does not affect the internal operation of the latches or flip-flops. That is, the old data can be retained or new data can be entered even while the outputs are off.

Features

- Choice of 8 latches or 8 D-type flip-flops in a single package
- 3-STATE bus-driving outputs
- Full parallel-access for loading
- Buffered control inputs
- P-N-P input reduce D-C loading on data lines

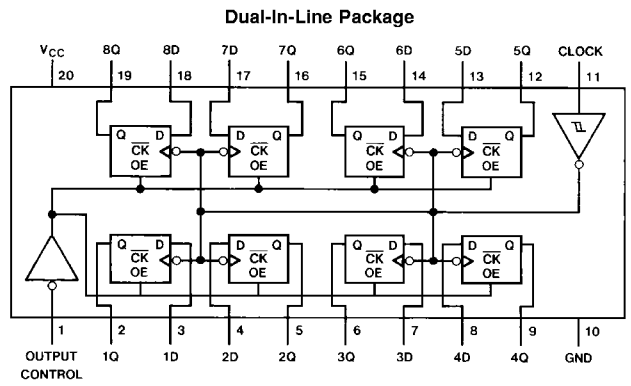
Connection Diagrams



Order Number **DM74S373WM** or **DM74S373N**
See Package Number
M20B or **N20A**

DM74S373, DM74S374 3-STATE Octal D-Type Transparent Latches and Edge-Triggered Flip-Flops

Connection Diagrams (Continued)



Order Number DM74S374WM or DM74S374N
See Package Number
M20B or N20A

Absolute Maximum Ratings (Note 1)

Supply Voltage	7V
Input Voltage	5.5V
Operating Free Air Temperature Range	
DM74S	0°C to +70°C
Storage Temperature Range	-65°C to +150°C

Note 1: The "Absolute Maximum Ratings" are those values beyond which the safety of the device cannot be guaranteed. The device should not be operated at these limits. The parametric values defined in the "Electrical Characteristics" table are not guaranteed at the absolute maximum ratings. The "Recommended Operating Conditions" table will define the conditions for actual device operation.

Function Tables

74S373 Truth Table

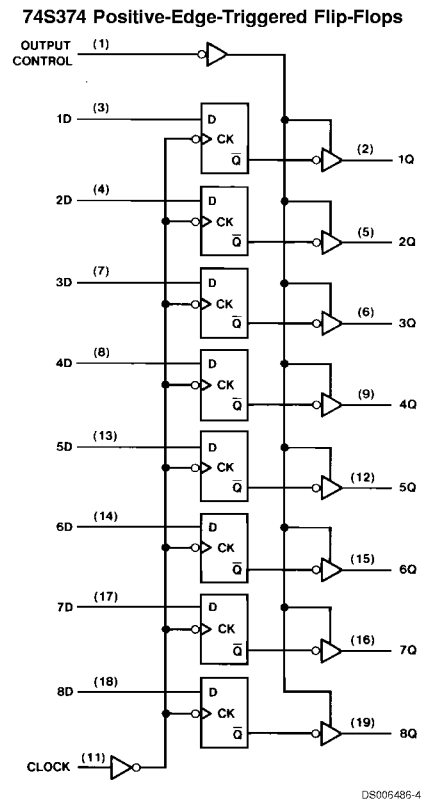
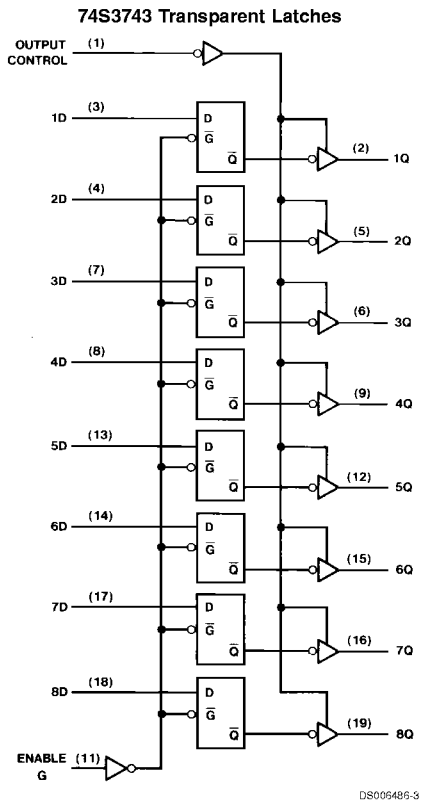
Output Control	Enable G	D	Output
L	H	H	H
L	H	L	L
L	L	X	Q ₀
H	X	X	Z

74S374 Truth Table

Output Control	Clock	D	Output
L	↑	H	H
L	↑	L	L
L	L	X	Q ₀
H	X	X	Z

H = High Level (Steady State), L = Low Level (Steady State), X = Don't Care
 ↑ = Transition from low-to-high level, Z = High Impedance State
 Q₀ = The level of the output before steady-state input conditions were established.

Logic Diagrams



'S373 Recommended Operating Conditions

for Test Waveforms and Output Load)

Symbol	Parameter	DM74S373			Units
		Min	Nom	Max	
V_{CC}	Supply Voltage	4.75	5	5.25	V
V_{IH}	High Level Input Voltage	2			V
V_{IL}	Low Level Input Voltage			0.8	V
I_{OH}	High Level Output Current			-6.5	mA
I_{OL}	Low Level Output Current			20	mA
t_w	Pulse Width (Note 3)	Enable High	6		ns
		Enable Low	7.3		
t_w	Pulse Width (Note 4)	Enable High	15		ns
		Enable Low	15		
t_{SU}	Data Setup Time (Notes 2, 5)	0↓			ns
t_H	Data Hold Time (Notes 2, 5)	10↓			ns
T_A	Free Air Operating Temperature	0		70	°C

Note 2: The symbol (↓) indicates the falling edge of the clock pulse is used for reference.

Note 3: $C_L = 15$ pF, $R_L = 280\Omega$, $T_A = 25^\circ\text{C}$ and $V_{CC} = 5\text{V}$.

Note 4: $C_L = 50$ pF and $R_L = 280\Omega$, $T_A = 25^\circ\text{C}$ and $V_{CC} = 5\text{V}$.

Note 5: $T_A = 25^\circ\text{C}$ and $V_{CC} = 5\text{V}$.

'S373 Electrical Characteristics

over recommended operating free air temperature (unless otherwise noted)

Symbol	Parameter	Conditions	Min	Typ (Note 6)	Max	Units
V_I	Input Clamp Voltage	$V_{CC} = \text{Min}$, $I_I = -18$ mA			-1.2	V
V_{OH}	High Level Output Voltage	$V_{CC} = \text{Min}$ $I_{OH} = \text{Max}$ $V_{IL} = \text{Max}$ $V_{IH} = \text{Min}$ DM74	2.4	3.2		V
V_{OL}	Low Level Output Voltage	$V_{CC} = \text{Min}$, $I_{OL} = \text{Max}$ $V_{IH} = \text{Min}$, $V_{IL} = \text{Max}$			0.5	V
I_I	Input Current @ Max Input Voltage	$V_{CC} = \text{Max}$, $V_I = 5.5\text{V}$			1	mA
I_{IH}	High Level Input Current	$V_{CC} = \text{Max}$, $V_I = 2.7\text{V}$			50	μA
I_{IL}	Low Level Input Current	$V_{CC} = \text{Max}$, $V_I = 0.5\text{V}$			-250	μA
I_{OZH}	Off-State Output Current with High Level Output Voltage Applied	$V_{CC} = \text{Max}$, $V_O = 2.4\text{V}$ $V_{IH} = \text{Min}$, $V_{IL} = \text{Max}$			50	μA
I_{OZL}	Off-State Output Current with Low Level Output Voltage Applied	$V_{CC} = \text{Max}$, $V_O = 0.5\text{V}$ $V_{IH} = \text{Min}$, $V_{IL} = \text{Max}$			-50	μA
I_{OS}	Short Circuit Output Current	$V_{CC} = \text{Max}$ (Note 7) DM74	-40		-100	mA
I_{CC}	Supply Current	$V_{CC} = \text{Max}$	Outputs High or Low	105	160	mA
			Outputs Disabled		190	

Note 6: All typicals are at $V_{CC} = 5\text{V}$, $T_A = 25^\circ\text{C}$.

Note 7: Not more than one output should be shorted at a time, and the duration should not exceed one second.

'S373 Switching Characteristics

at $V_{CC} = 5V$ and $T_A = 25^\circ C$
for Test Waveforms and Output Load)

Symbol	Parameter	From (Input) To (Output)	$R_L = 280\Omega$				Units
			$C_L = 15\text{ pF}$		$C_L = 50\text{ pF}$		
			Min	Max	Min	Max	
t_{PLH}	Propagation Delay Time Low to High Level Output	Data to Any Q		12		14	ns
t_{PHL}	Propagation Delay Time High to Low Level Output	Data to Any Q		12		16	ns
t_{PLH}	Propagation Delay Time Low to High Level Output	Enable to Any Q		14		14	ns
t_{PHL}	Propagation Delay Time High to Low Level Output	Enable to Any Q		18		21	ns
t_{PZH}	Enable Time to High Level Output	Output Control to Any Q		15		17	ns
t_{PZL}	Output Enable Time to Low Level Output	Output Control to Any Q		18		23	ns
t_{PHZ}	Output Disable Time to High Level Output (Note 8)	Output Control to Any Q		9			ns
t_{PLZ}	Output Disable Time to Low Level Output (Note 8)	Output Control to Any Q		12			ns

Note 8: $C_L = 5\text{ pF}$

'S374 Recommended Operating Conditions

for Test Waveforms and Output Load)

Symbol	Parameter		DM74S374			Units
			Min	Nom	Max	
V_{CC}	Supply Voltage		4.75	5	5.25	V
V_{IH}	High Level Input Voltage					V
V_{IL}	Low Level Input Voltage				0.8	V
I_{OH}	High Level Output Current				-6.5	mA
I_{OL}	Low Level Output Current				20	mA
f_{CLK}	Clock Frequency (Note 10)		0		75	MHz
f_{CLK}	Clock Frequency (Note 11)		0		75	MHz
t_w	Pulse Width (Note 10)	Clock High	6			ns
		Clock Low	7.3			
	Pulse Width (Note 11)	Clock High	15			
		Clock Low	15			
t_{SU}	Data Setup Time (Notes 9, 12)		5 \uparrow			ns
t_H	Data Hold Time (Notes 9, 12)		2 \uparrow			ns
T_A	Free Air Operating Temperature		0		70	$^\circ C$

Note 9: The symbol (\uparrow) indicates the rising edge of the clock pulse is used for reference.

Note 10: $C_L = 15\text{ pF}$, $R_L = 280\Omega$, $T_A = 25^\circ C$ and $V_{CC} = 5V$.

Note 11: $C_L = 50\text{ pF}$, $R_L = 280\Omega$, $T_A = 25^\circ C$ and $V_{CC} = 5V$.

Note 12: $T_A = 25^\circ C$ and $V_{CC} = 5V$.

'S374 Electrical Characteristics

over recommended operating free air temperature (unless otherwise noted)

Symbol	Parameter	Conditions	Min	Typ (Note 13)	Max	Units
V_I	Input Clamp Voltage	$V_{CC} = \text{Min}, I_I = -18 \text{ mA}$			-1.2	V
V_{OH}	High Level Output Voltage	$V_{CC} = \text{Min}$ $I_{OH} = \text{Max}$ $V_{IL} = \text{Max}$ $V_{IH} = \text{Min}$	2.4	3.2		V
V_{OL}	Low Level Output Voltage	$V_{CC} = \text{Min}, I_{OL} = \text{Max}$ $V_{IH} = \text{Min}, V_{IL} = \text{Max}$			0.5	V
I_I	Input Current @ Max Input Voltage	$V_{CC} = \text{Max}, V_I = 5.5\text{V}$			1	mA
I_H	High Level Input Current	$V_{CC} = \text{Max}, V_I = 2.7\text{V}$			50	μA
I_{IL}	Low Level Input Current	$V_{CC} = \text{Max}, V_I = 0.5\text{V}$			-250	μA
I_{OZH}	Off-State Output Current with High Level Output Voltage Applied	$V_{CC} = \text{Max}, V_O = 2.4\text{V}$ $V_{IH} = \text{Min}, V_{IL} = \text{Max}$			50	μA
I_{OZL}	Off-State Output Current with Low Level Output Voltage Applied	$V_{CC} = \text{Max}, V_O = 0.5\text{V}$ $V_{IH} = \text{Min}, V_{IL} = \text{Max}$			-50	μA
I_{OS}	Short Circuit Output Current	$V_{CC} = \text{Max}$ (Note 14)	-40		-100	mA
I_{CC}	Supply Current	$V_{CC} = \text{Max}$				mA
		Outputs High			110	
		Outputs Low		90	140	
		Outputs Disabled			160	

Note 13: All typicals are at $V_{CC} = 5\text{V}$, $T_A = 25^\circ\text{C}$.

Note 14: Not more than one output should be shorted at a time, and the duration should not exceed one second.

'S374 Switching Characteristics

at $V_{CC} = 5\text{V}$ and $T_A = 25^\circ\text{C}$
for Test Waveforms and Output Load)

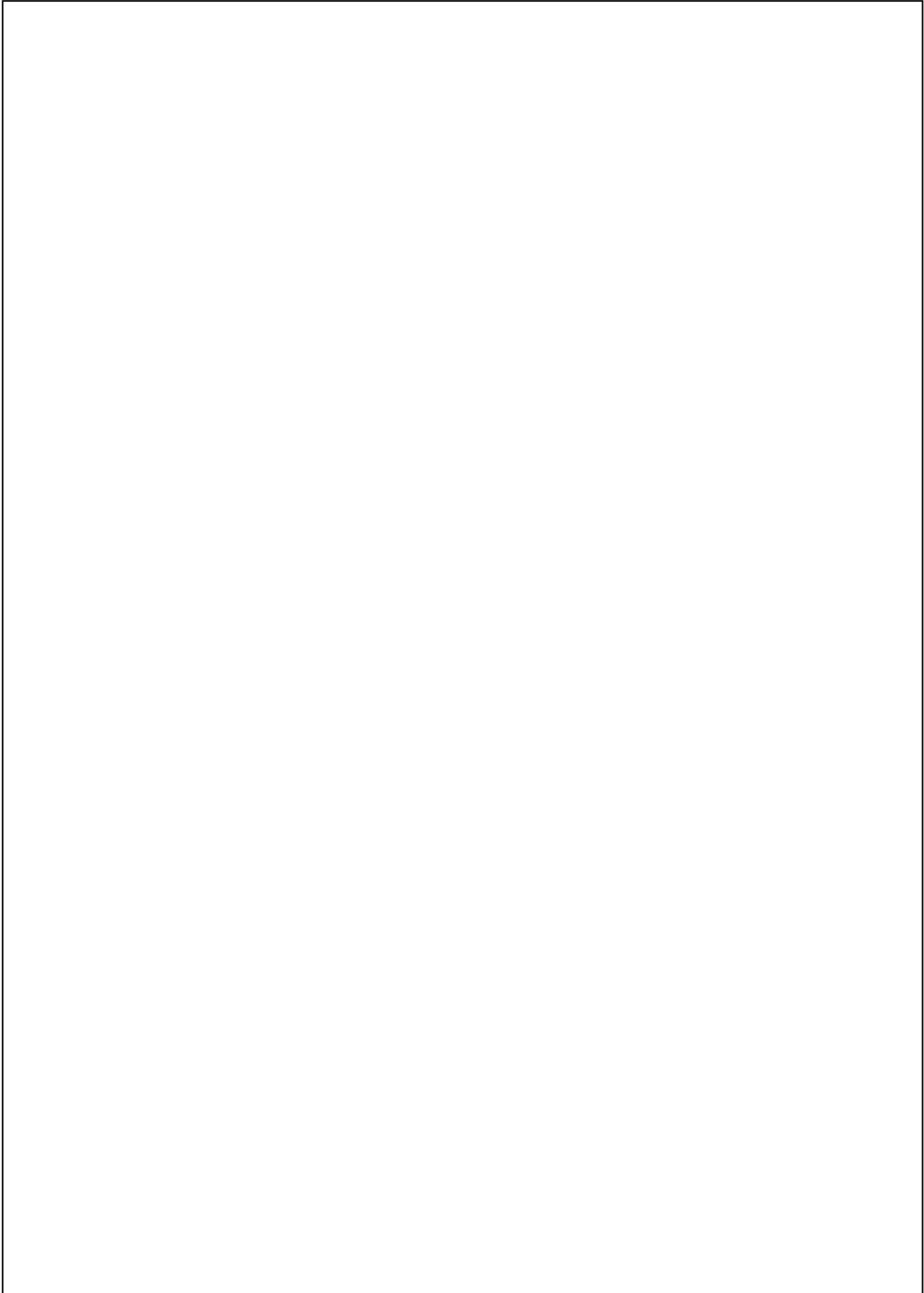
Symbol	Parameter	From (Input) To (Output)	$R_L = 280\Omega$				Units
			$C_L = 15 \text{ pF}$		$C_L = 50 \text{ pF}$		
			Min	Max	Min	Max	
f_{MAX}	Maximum Clock Frequency			75		75	MHz
t_{PLH}	Propagation Delay Time Low to High Level Output	Clock to Any Q		15		15	ns
t_{PHL}	Propagation Delay Time High to Low Level Output	Clock to Any Q		17		20	ns
t_{PZH}	Output Enable Time to High Level Output	Output Control to Any Q		15		17	ns
t_{PZL}	Output Enable Time to Low Level Output	Output Control to Any Q		18		23	ns
t_{PHZ}	Output Disable Time from High Level Output (Note 15)	Output Control to Any Q		9			ns

'S374 Switching Characteristics (Continued)

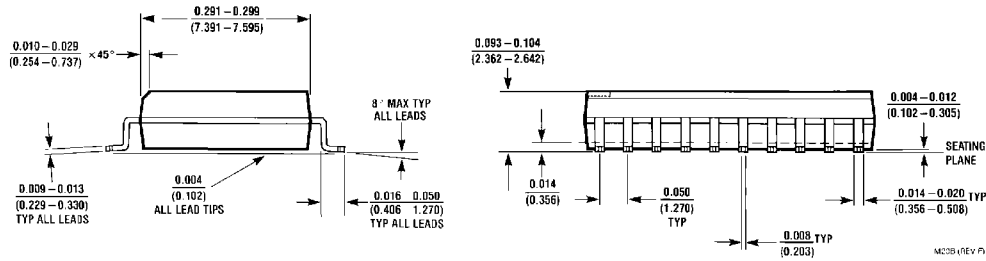
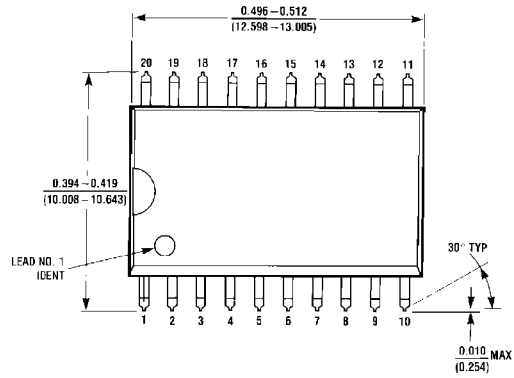
at $V_{CC} = 5V$ and $T_A = 25^\circ C$
for Test Waveforms and Output Load)

Symbol	Parameter	From (Input) To (Output)	$R_L = 280\Omega$				Units
			$C_L = 15\text{ pF}$		$C_L = 50\text{ pF}$		
			Min	Max	Min	Max	
t_{PLZ}	Output Disable Time from Low Level Output (Note 15)	Output Control to Any Q		12			ns

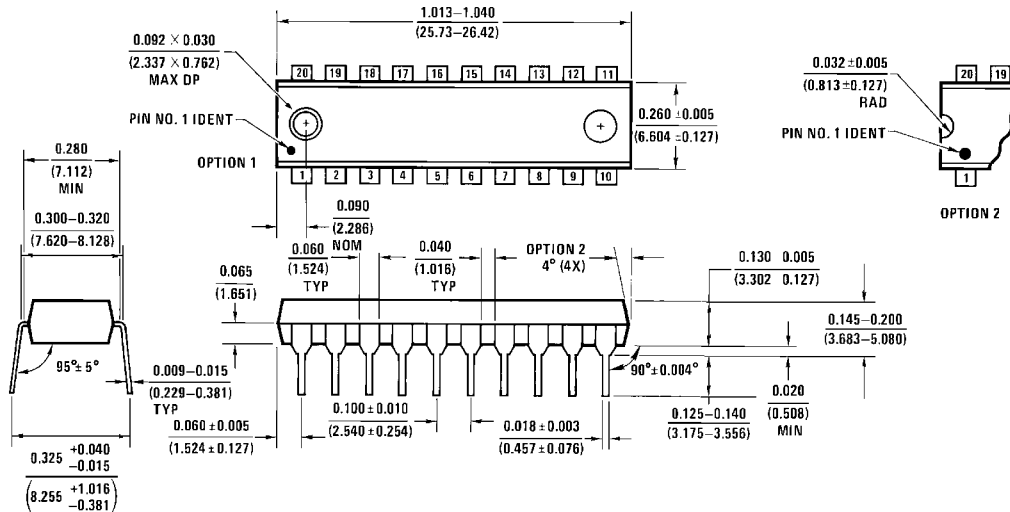
Note 15: $C_L = 5\text{ pF}$



Physical Dimensions inches (millimeters) unless otherwise noted



20-Lead Wide Small Outline Molded Package (M)
 Order Number DM74S373WM or DM74S374WM
 Package Number M20B



20-Lead Molded Dual-In-Line Package (N)
 Order Number DM74S373N or DM74S374N
 Package Number N20A

LIFE SUPPORT POLICY

FAIRCHILD'S PRODUCTS ARE NOT AUTHORIZED FOR USE AS CRITICAL COMPONENTS IN LIFE SUPPORT DEVICES OR SYSTEMS WITHOUT THE EXPRESS WRITTEN APPROVAL OF THE PRESIDENT OF FAIRCHILD SEMICONDUCTOR CORPORATION. As used herein:

1. Life support devices or systems are devices or systems which, (a) are intended for surgical implant into the body, or (b) support or sustain life, and (c) whose failure to perform when properly used in accordance with instructions for use provided in the labeling, can be reasonably expected to result in a significant injury to the user.
2. A critical component in any component of a life support device or system whose failure to perform can be reasonably expected to cause the failure of the life support device or system, or to affect its safety or effectiveness.

Fairchild Semiconductor Corporation Americas
Customer Response Center
Tel: 1-888-522-5372

Fairchild Semiconductor Europe
Fax: +49 (0) 1 80-530 85 86
Email: europe.support@nsc.com
Deutsch Tel: +49 (0) 8 141-35-0
English Tel: +44 (0) 1 793-85-68-56
Italy Tel: +39 (0) 2 57 5631

Fairchild Semiconductor Hong Kong Ltd.
13th Floor, Straight Block,
Ocean Centre, 5 Canton Rd.
Tsimshatsui, Kowloon
Hong Kong
Tel: +852 2737-7200
Fax: +852 2314-0061

National Semiconductor Japan Ltd.
Tel: 81-3-5620-6175
Fax: 81-3-5620-6179

www.fairchildsemi.com