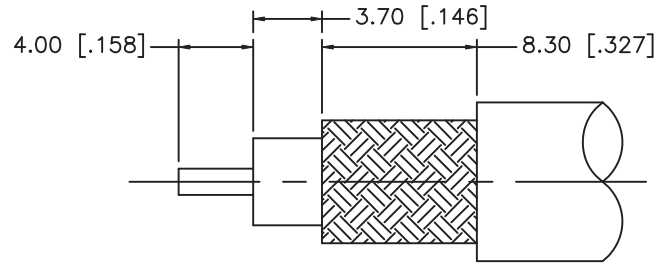
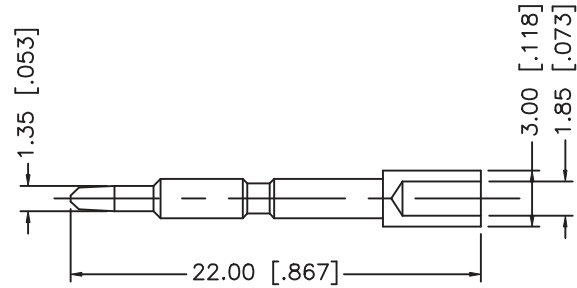
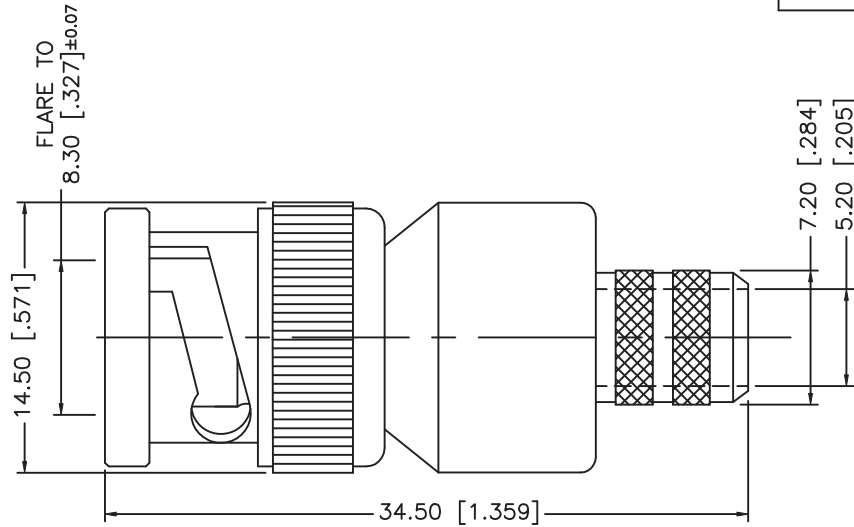
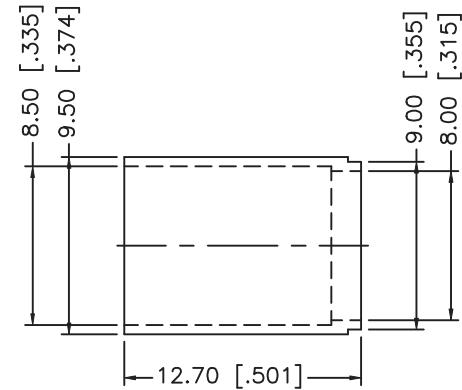


REV.	DATE	DESCRIPTION
NC	05/15/02	INITIAL RELEASE



RECOMMENDED CABLE STRIPPING DIMENSIONS



CRIMP NOTES:

1. CRIMPED FERRULE  
HEX CRIMP SIZE .324"
2. CRIMPED CONTACT PIN  
HEX CRIMP SIZE .100"

8				UNLESS OTHERWISE SPECIFIED DIMENSIONS ARE IN MILLIMETERS  DIMENSIONS IN [ ] ARE IN INCHES FOR CUSTOMER REFERENCE ONLY  UNLESS OTHERWISE SPECIFIED TOLERANCES FOR INCHES ARE: .XXX = ± 0.005" .XX = ± 0.010" .X = ± 0.020"	APPROVALS	DATE	<h1>Amphenol - Connex</h1> <p>CONNECTOR CORPORATION</p>			
7					DRAWN	G.R.S.				05/15/02
6					CHECKED			TITLE BNC CRIMP PLUG (FOR TIMES LMR-300)		
5					ISSUED					
4	FERRULE	BRASS	NICKEL	DO NOT SCALE DRAWING	SIZE	FSCM NO.	DWG. NO.	REV.		
3	CONTACT PIN	BER. COPPER	GOLD		A	99001	112700.DWG	NC		
2	INSULATOR	TEFLON	NATURAL		SCALE	NA	PART NO.	112700	SHEET	
1	BODY	BRASS	NICKEL						1 OF 1	
	DESCRIPTION	MATERIAL	FINISH							