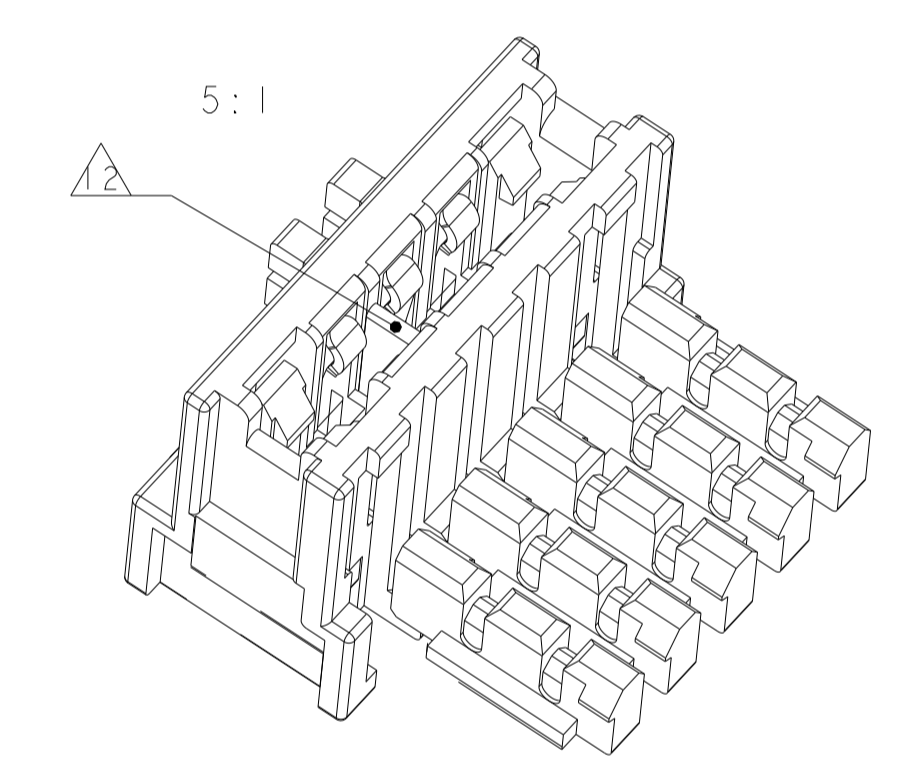
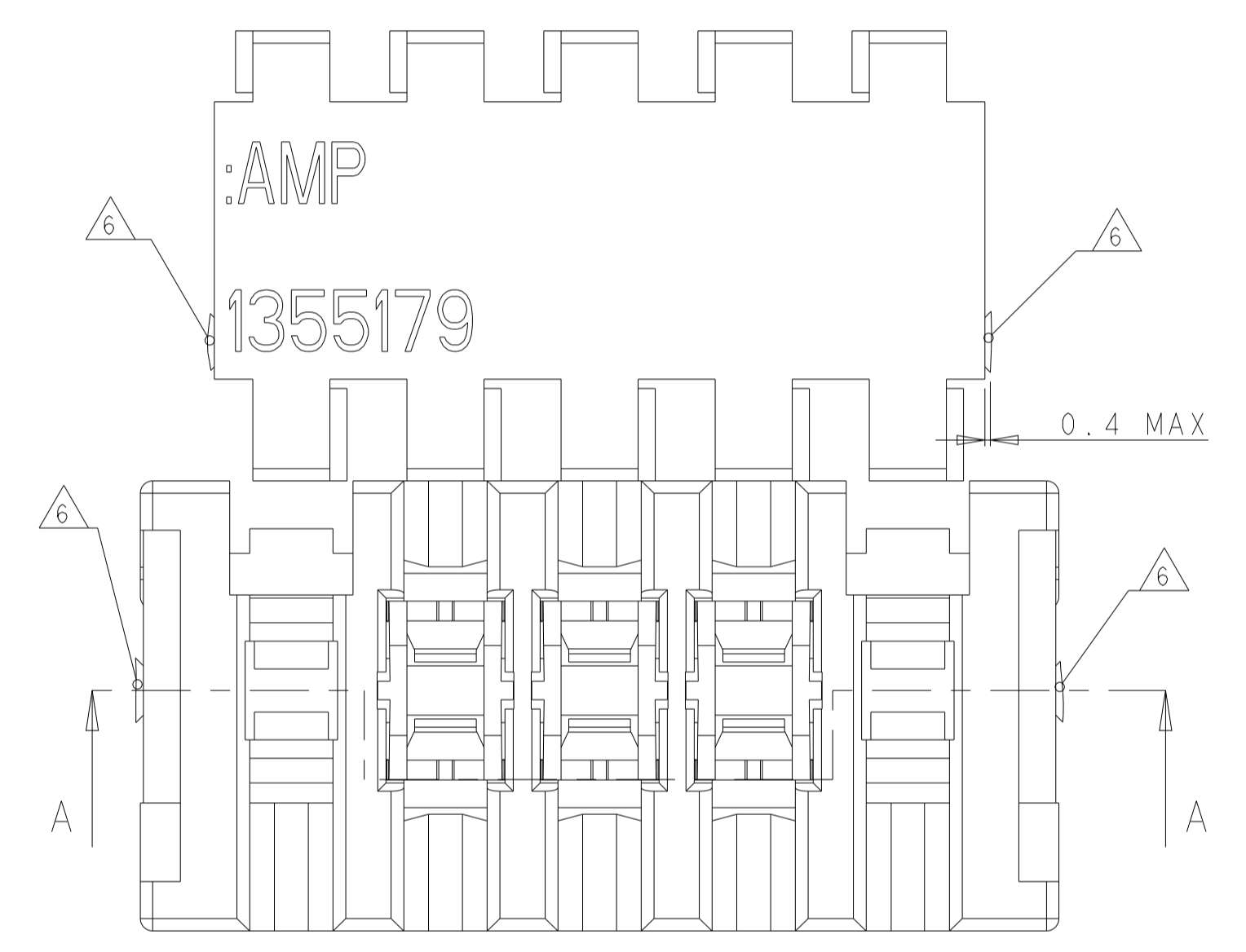
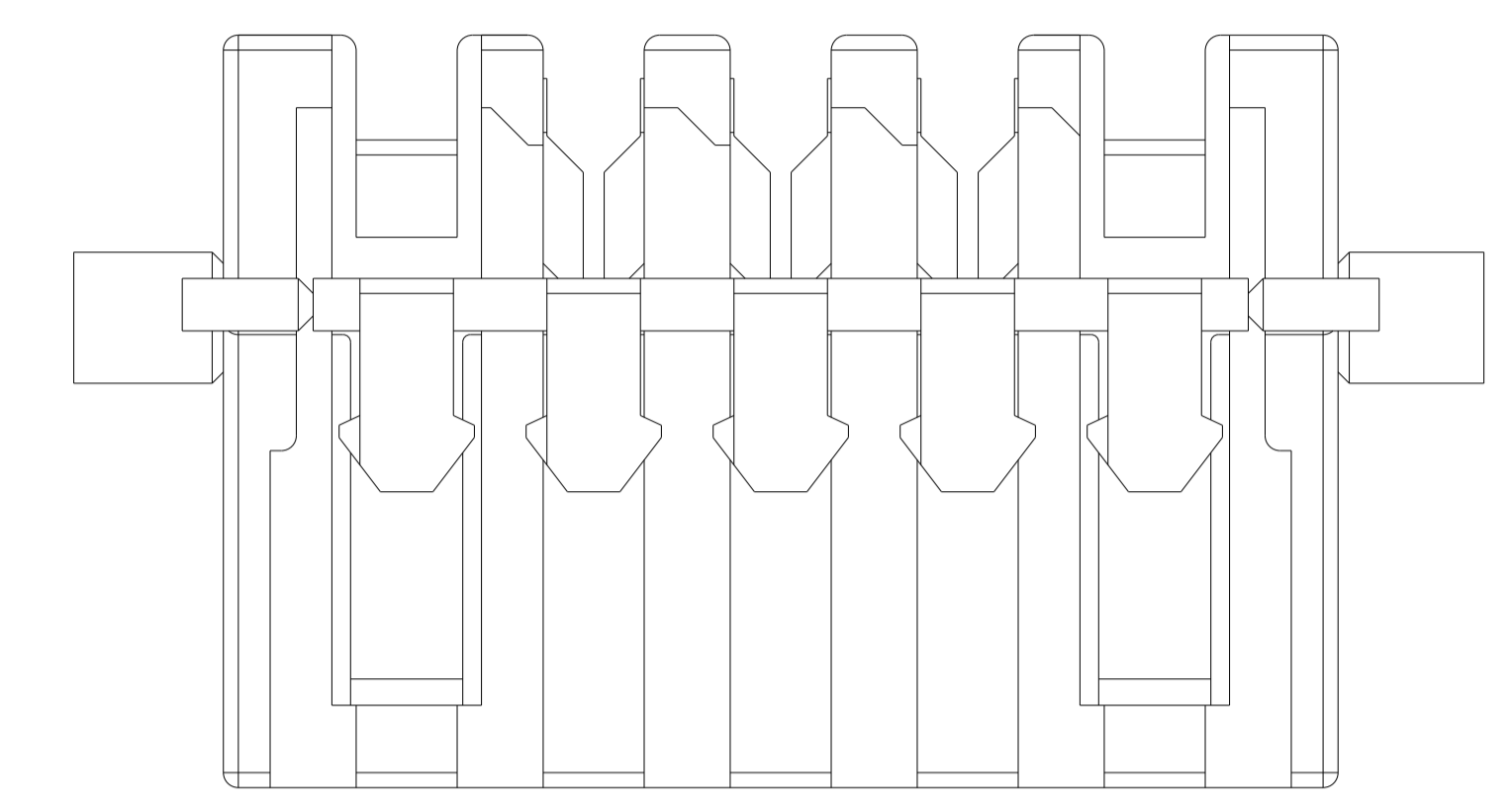
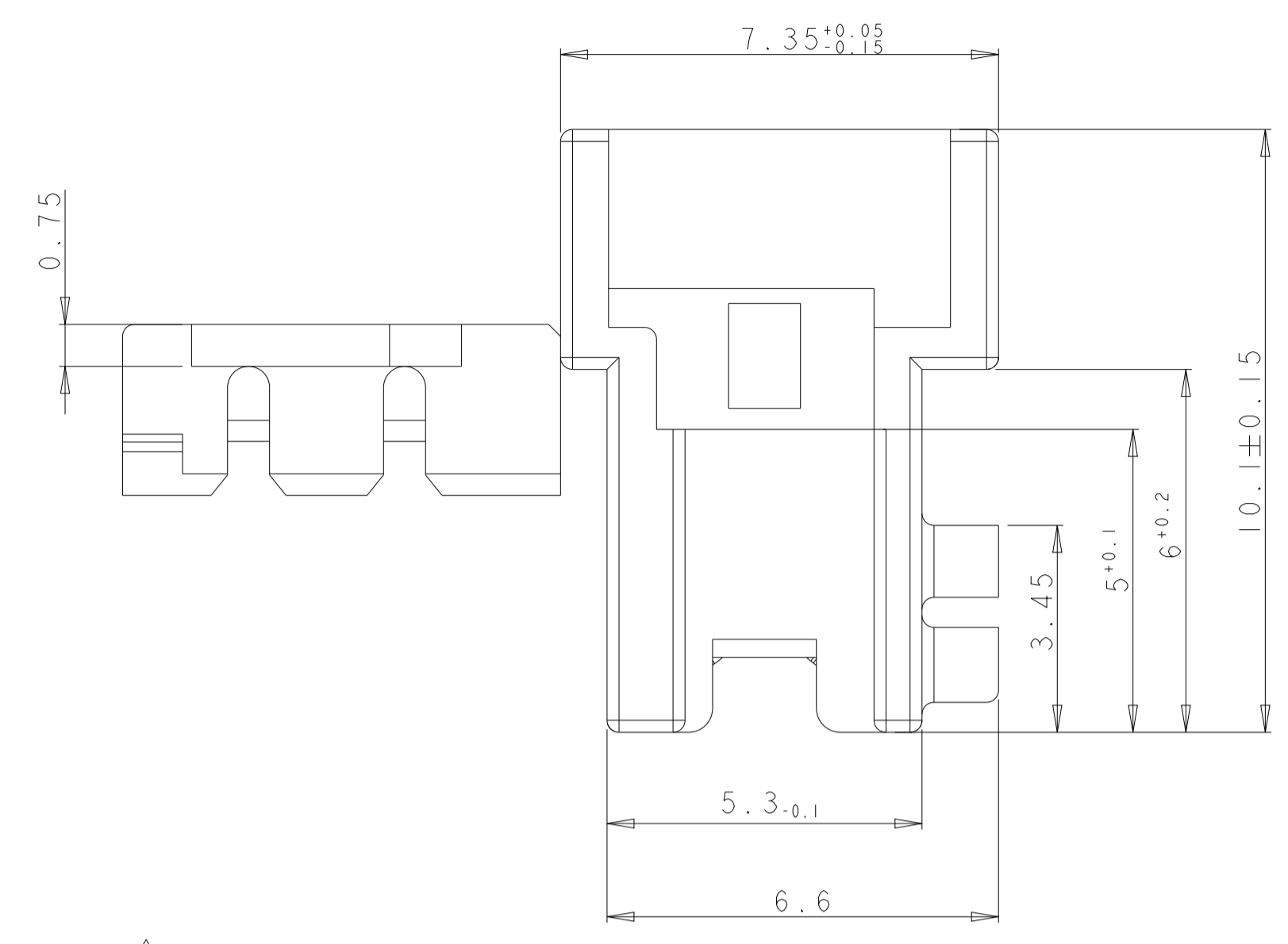
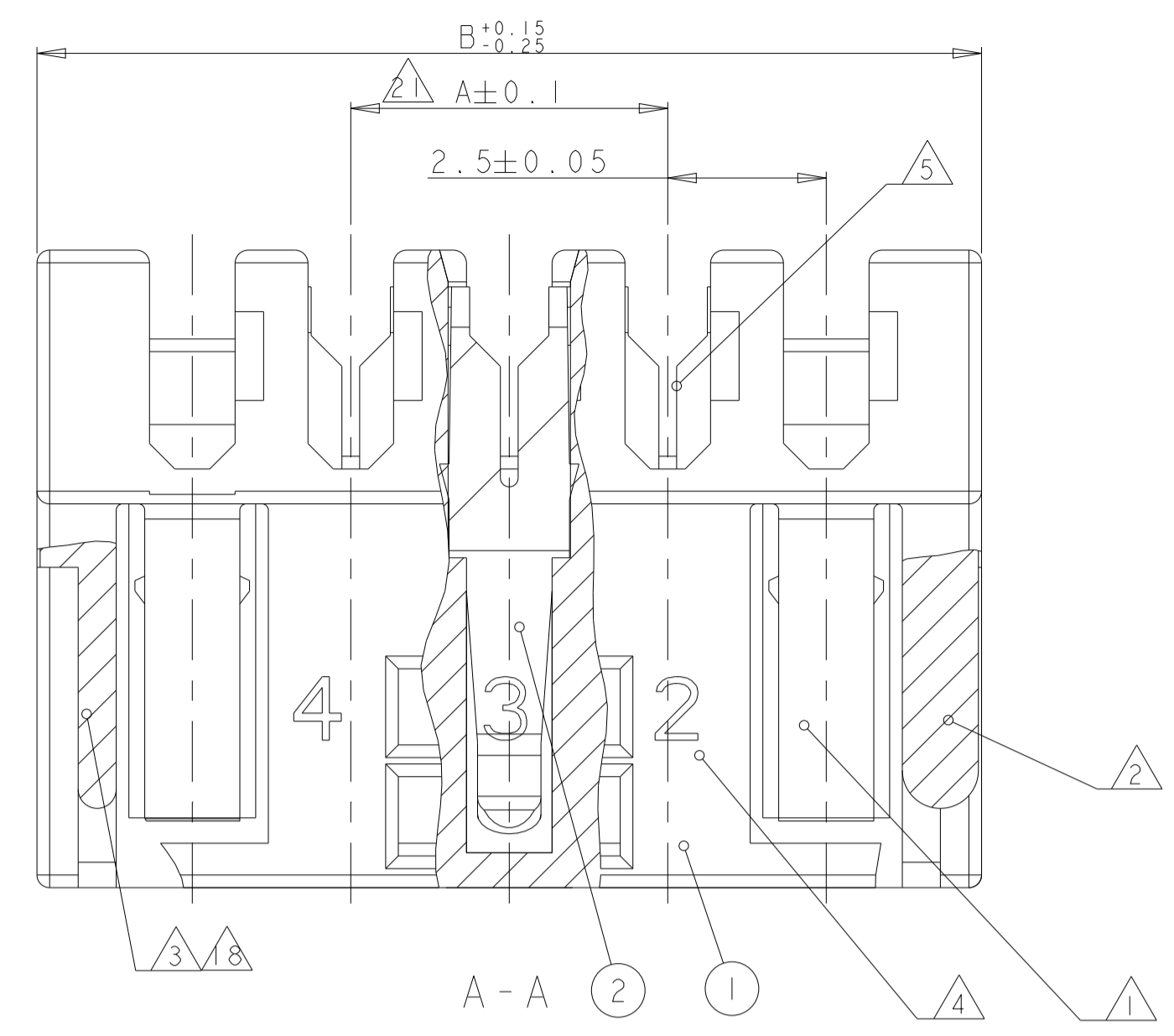


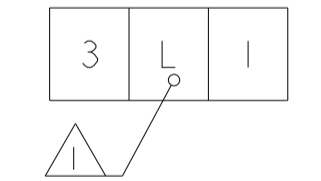
REVISIONS				
P	LTN	DESCRIPTION	DATE	APVD
E	ECR-22-130044		01MAR2022	DC FL
E1	ECR-22-134224		04APR2022	DC FL
E2	ECR-22-142661		22JUN2022	DC FL
E3	ECR-22-162225		16JAN2023	DC FL



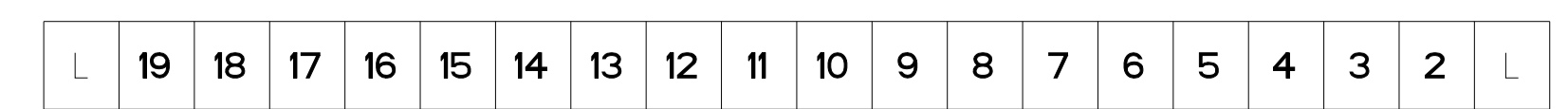
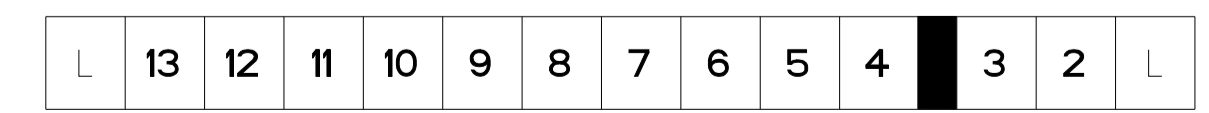
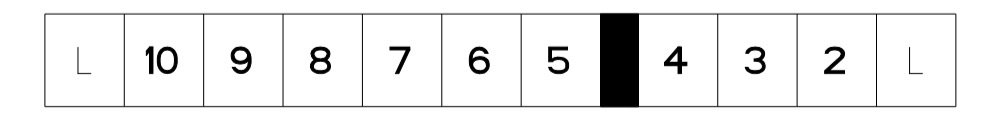
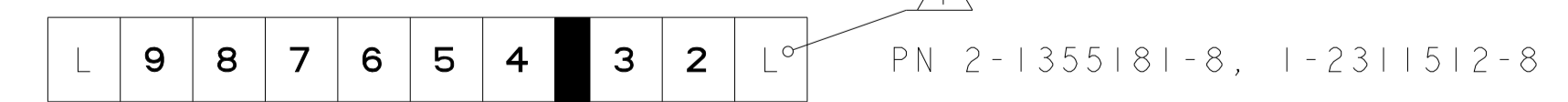
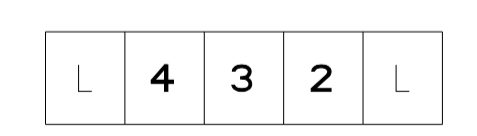
LOCKING AND KEYING PLAN
Rasthaken und Kodierschema

SPECIAL VERSION 2 POSN.
Sondervariante 2 pol.

PN 1-1355181-2
1-2311512-2



Variante
3 pol. - 18 pol.



- △4 OBSOLETE
- △3 PART RELEASED WITHOUT EXTENSIVE TERMINATION TESTS
- △2 ALTERNATIVE RESIN PBT GF
- △1 DIMENSION A BETWEEN FIRST AND LAST CONTACT
- △0 PA GF, UL94-V0 & GWEPT 750 NO-FLAME
- △9 PBT GF
- △8 ONLY FOR 3-1355181-2 & 2311512-2, REMOVED THE POLARIZATION RIB ON THE LAST CAVITY
- △7 PRELIMINARY - NOT RELEASED FOR PRODUCTION
- △6 OBSOLETE PARTS: OBSOLETE CIS STREAMLINING PER D.RENAUD/D.SINISI
- △5 DIMENSION OF THE PADS ON BOTH SIDES OF THE SLOT (NOTE 13), MIRRORED Leiterbahnabmessung beidseitig vom Schlitz (Note 13), spiegelbildlich
- 14 DIMENSION IN BRACKET ONLY USED WITH AMP DUOPLUG 2.5 mm FEMALE CONNECTOR. Masse in Klammer nur geeignet fuer AMP DUOPLUG 2.5 mm Federleisten.
- △3 SLOT FOR ADDITIONAL KEYING RIB Schlitz fuer zusaetzliche Kodierrippe
- △2 ADDITIONAL KEYING RIB BETWEEN CAVITY NO. Zusaetzliche Kodierrippe zwischen Kammer Nr.
- △1 REDUCTION OF PAD WIDTH OF ALL PADS AS SHOWN IS POSSIBLE. Verjuengung aller Leiterbahnen wie dargestellt moeglich.
- △0 INCLUSIVE COPPER CLADDING: Inclusive Kupferkaschierung:
- △9 PCB PREFERABLY CHAMFERED. Leiterplatte vorzugsweise angefast.
- △8 SLOT FOR KEYING RIB. Schlitz fuer Kodierrippe.
- △7 SLOT FOR POLARIZATION RIB. Schlitz fuer Polarisierungsrippe.
- △6 CUTTING AREA FROM PRODUCING PROCESS. Schnittbereich durch Herstellungsprozess.
- △5 SLOT ACCEPT STRANDED WIRE 7x0.25mm=0.35mm². SEE APPLICATION SPECIFICATION 114-18049. Schlitz geeignet fuer Leitungen 7x0.25mm=0.35mm². Siehe Verarbeitungsanweisung 114-18049.
- △4 CAVITY NO. Kammer Nr.
- △3 POLARIZATION RIB Polarisierungsrippe
- △2 KEYING RIB Kodierrippe
- △1 LOCKING LATCH BEFORE FIRST AND AFTER LAST CAVITY (3-18 POSN.) AND ON MIDDLE CAVITY (2 POSN. ONLY) Rasthaken vor 1. Kammer und nach letzter Kammer (3-18 polig) und bei mittlerer Kammer (nur 2 polig)

POS. Polzahl	DIM A Mass A	DIM B Mass B	KEYING Kodierung	PART NUMBER	PART NUMBER	PART NUMBER
OBSOLETE	18	42.5	52.4	-	1-1355182-8	-
OBSOLETE	17	40	49.9	-	1-1355182-7	-
OBSOLETE	16	37.5	47.4	-	1-1355182-6	-
OBSOLETE	15	35	44.9	-	1-1355182-5	-
OBSOLETE	14	32.5	42.4	-	1-1355182-4	-
OBSOLETE	13	30	39.9	-	1-1355182-3	-
OBSOLETE	12	27.5	37.4	3+4	2-1355182-2	-
OBSOLETE	11	25	34.9	-	1-1355182-1	-
OBSOLETE	10	22.5	32.4	-	1-1355181-0	△1-2311512-0
OBSOLETE	9	20	29.9	4+5	2-1355181-9	-
				1-1355181-9	△2311512-9	1-2403116-9
				2-1355181-8	△1-2311512-8	2-2403116-8
				1-1355181-8	△2311512-8	1-2403116-8
				1-1355181-7	△2311512-7	1-2403116-7
				2-1355181-6	△1-2311512-6	2-2403116-6
				1-1355181-6	△2311512-6	1-2403116-6
				1-1355181-5	△2311512-5	1-2403116-5
				1-1355181-4	△2311512-4	1-2403116-4
				1-1355181-3	△2311512-3	1-2403116-3
				3-1355181-2	△2311512-2	3-2403116-2
				1-1355181-2	△1-2311512-2	1-2403116-2

THIS DRAWING IS A CONTROLLED DOCUMENT. DWG: 16MRZ99, CHK: Schnaubelt, APVD: 06JUL99

DIMENSIONS: mm

TOLERANCES UNLESS OTHERWISE SPECIFIED:

0 PLC	±0.2
1 PLC	±0.2
2 PLC	±0.2
3 PLC	±0.2
4 PLC	±0.2
ANGLES	±2°

SEE TABLE

MATERIAL: CuSn, TINNED/vorverzinnt, PBT, NATUR

FINISH/Oberflaeche: SEE TABLE

COLOR/Farbe: SEE TABLE

PRODUCT SPEC: AMP DUOPLUG 2.5 TM WITH PCB LOCKING DEVICE DGB 11

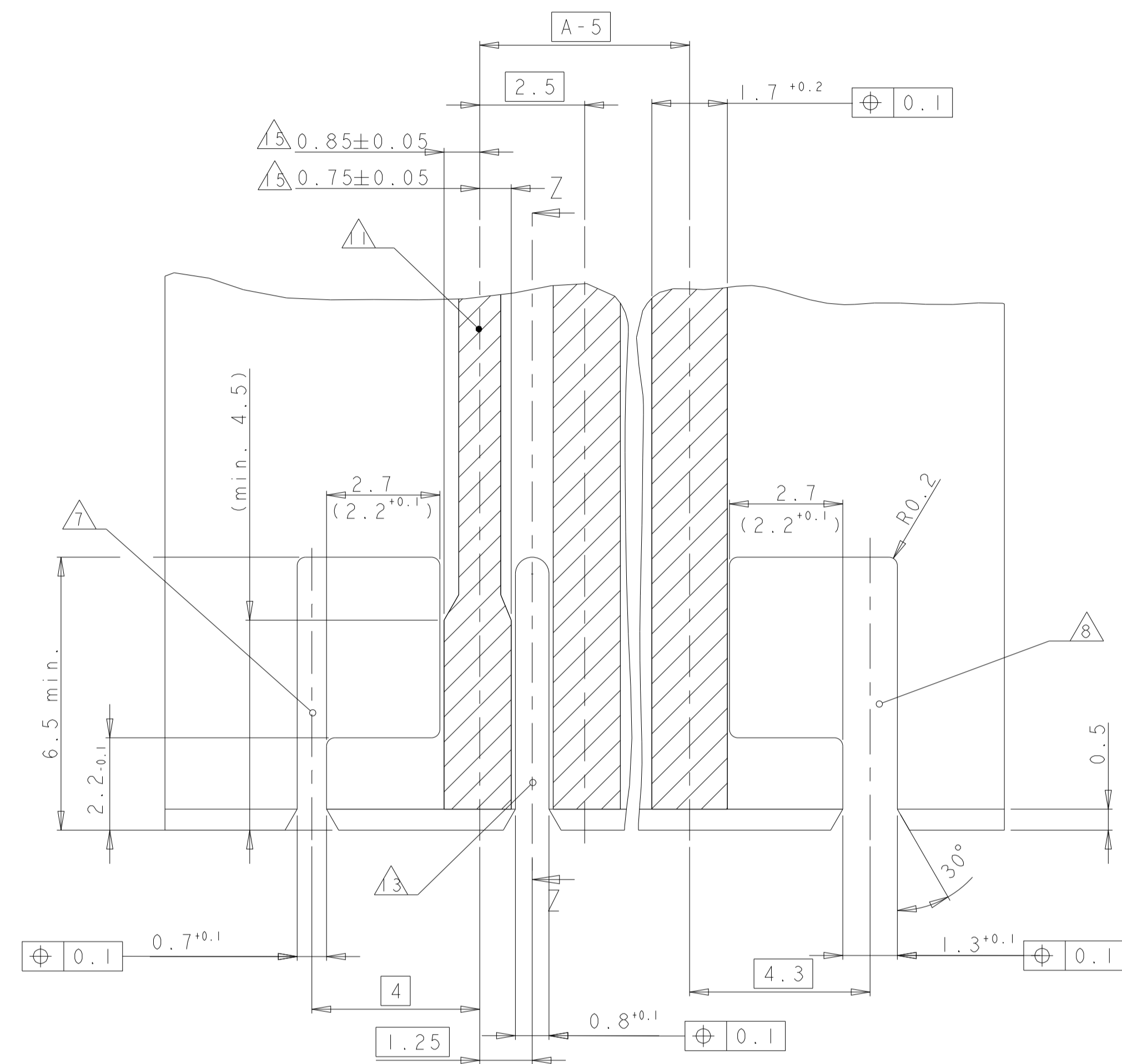
APPLICATION SPEC: 114-18049-1

WEIGHT: A100779

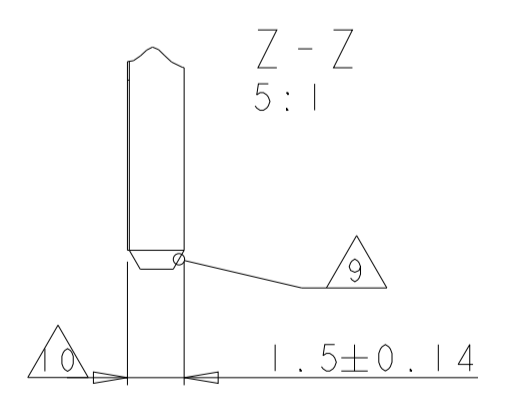
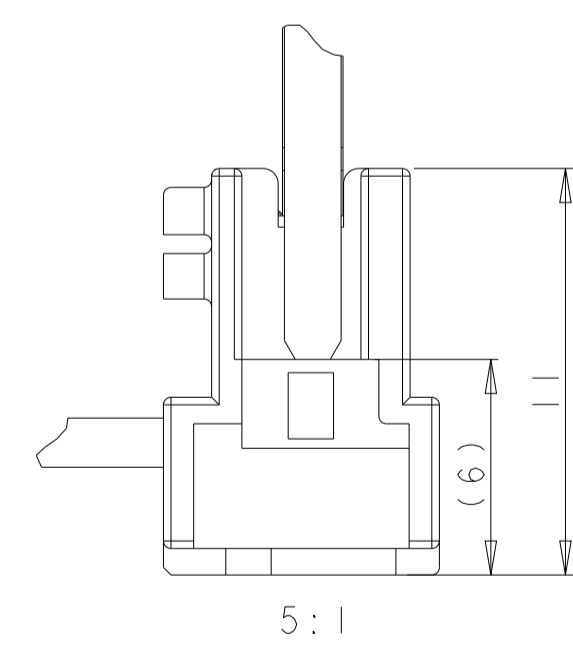
CUSTOMER DRAWING: SCALE 10:1, SHEET 1 OF 2, REV E3

REVISIONS				
P	LYN	DESCRIPTION	DATE	APVD
-	-	SEE SHEET 1	-	-

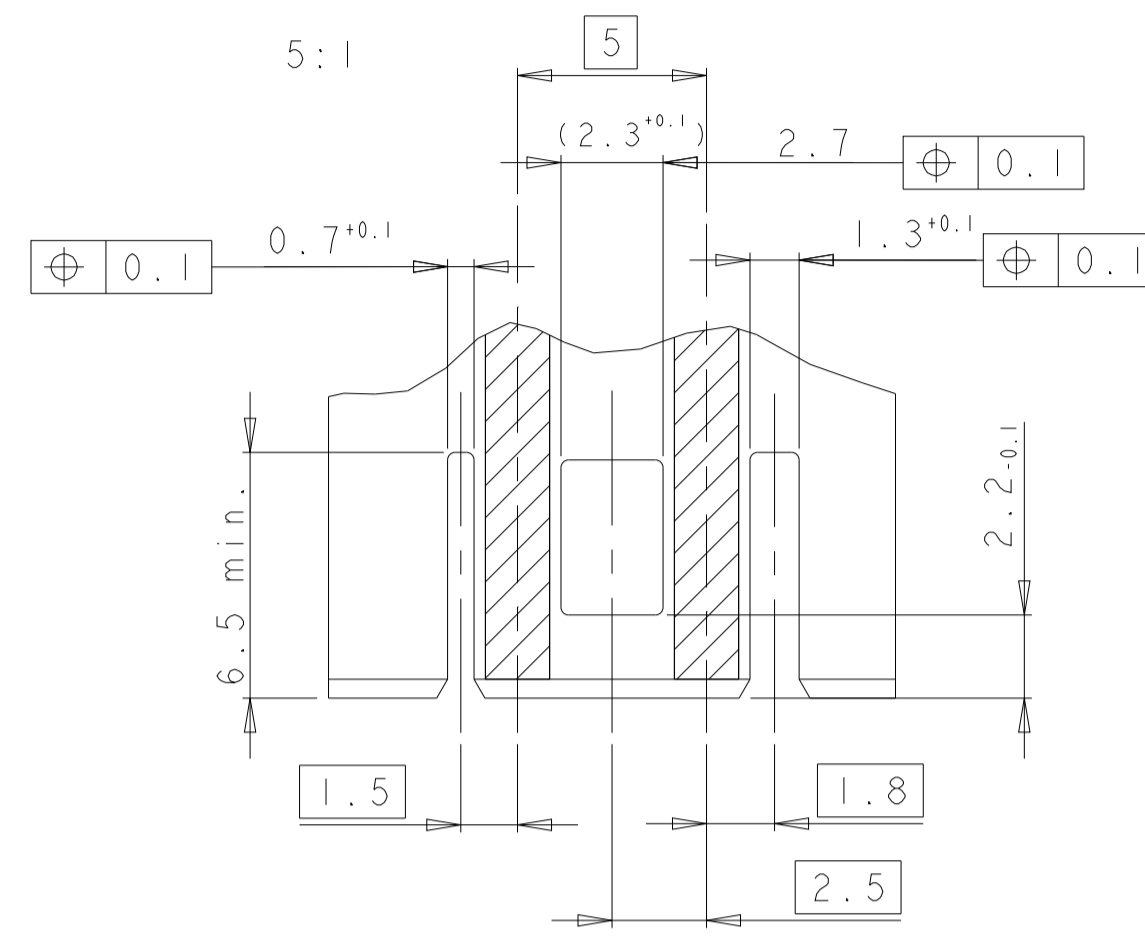
PCB LAYOUT
Leiterplattenanschluss



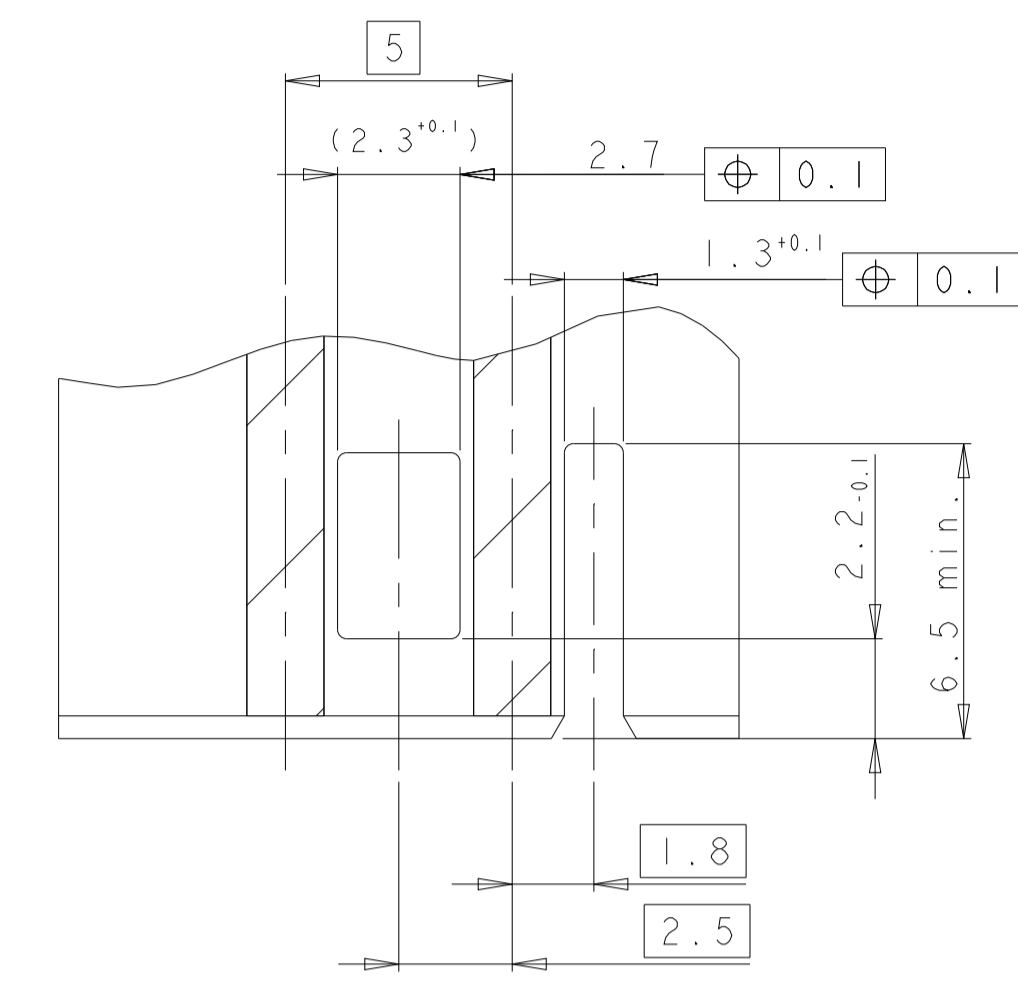
TOLERANCES UNLESS OTHERWISE SPEC. ± 0.1 mm
Freimasstoleranz ± 0.1 mm


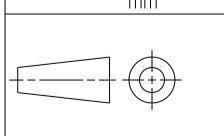


SPECIAL VERSION 2 POSN.
Sondervariante 2 pol.



3-1355181-2, 2311512-2



THIS DRAWING IS A CONTROLLED DOCUMENT.		DWN Weber	16MRZ99	 TE Connectivity
DIMENSIONS: mm		CHK Schnaubelt	06JUL99	
 TOLERANCES UNLESS OTHERWISE SPECIFIED: 0 PLC ± 0.2 1 PLC ± 0.2 2 PLC ± 0.2 3 PLC ± 0.2 4 PLC ± 0.2 ANGLES $\pm 2^\circ$ FINISH SEE TABLE		APVD	NAME AMP DUOPLUG 2,5 WITH PCB LOCKING DEVICE DGB 11	
MATERIAL SEE TABLE		PRODUCT SPEC APPLICATION SPEC SIZE 114-18049-1 WEIGHT SCALE 10:1 SHEET 2 OF 2 REV E3		RESTRICTED TO A 100779 ©=1355181 CUSTOMER DRAWING