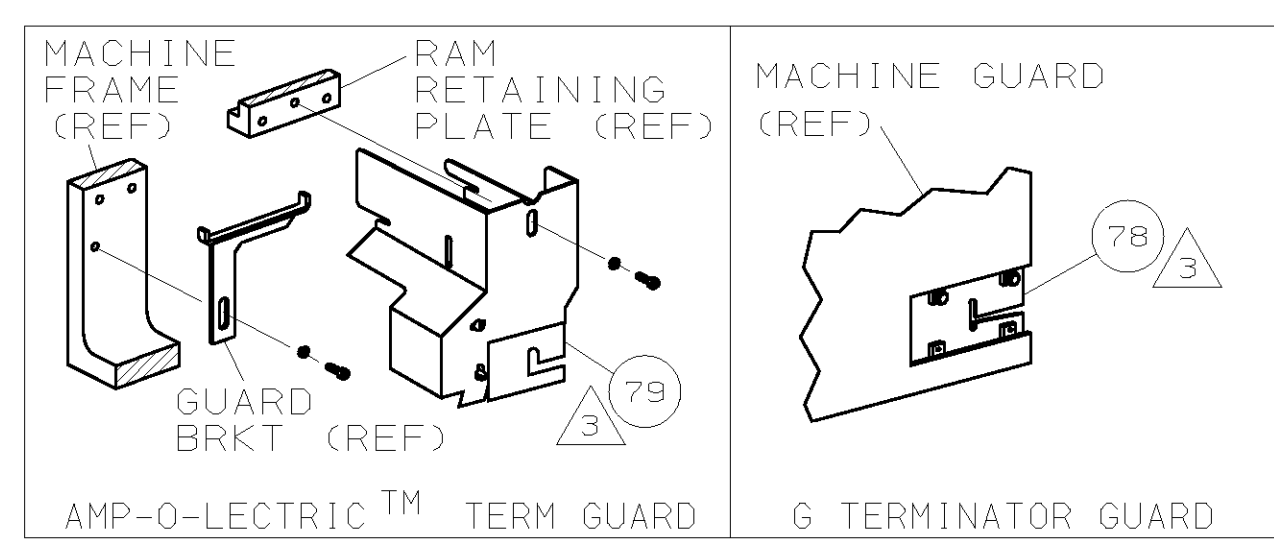
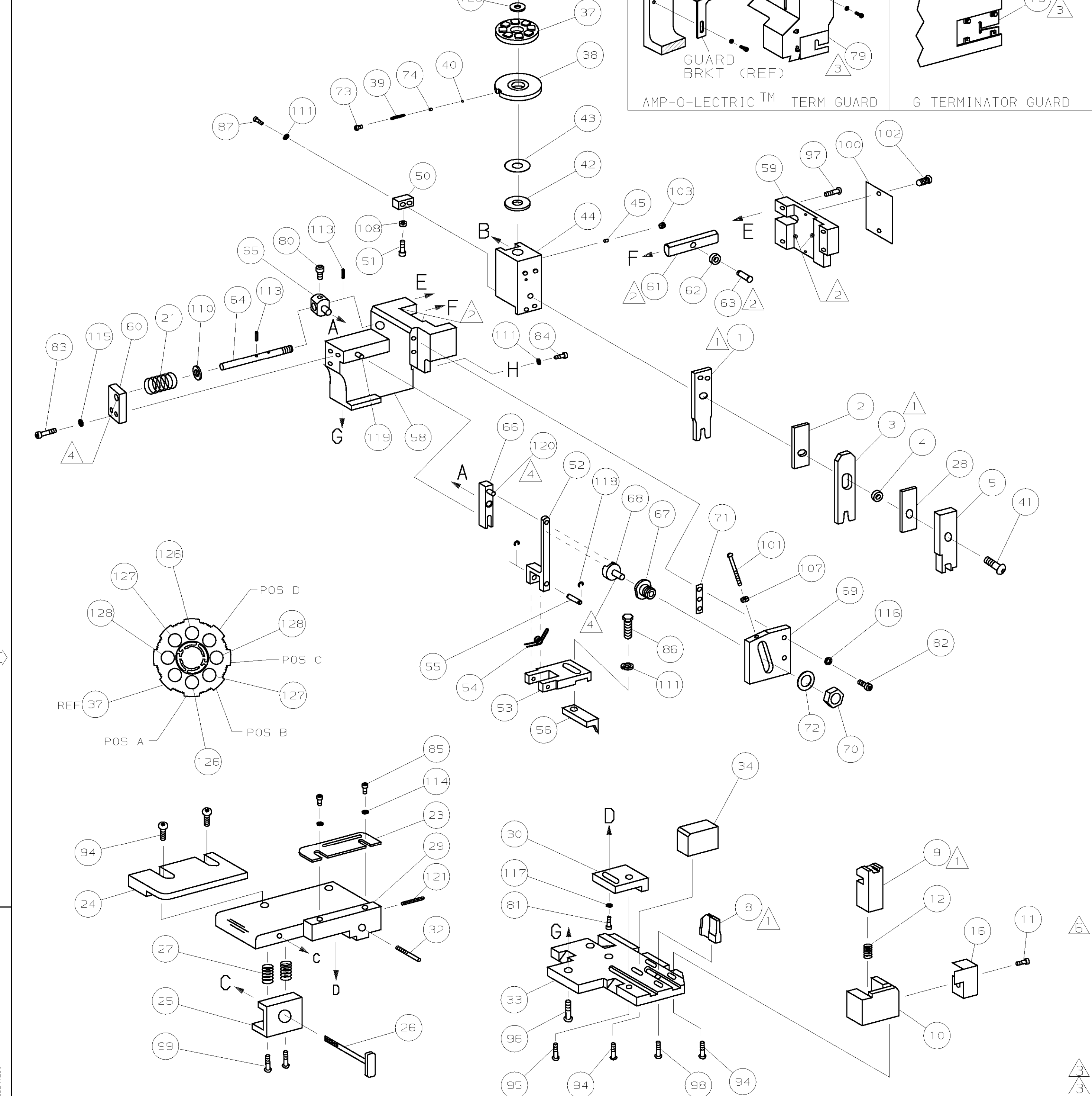
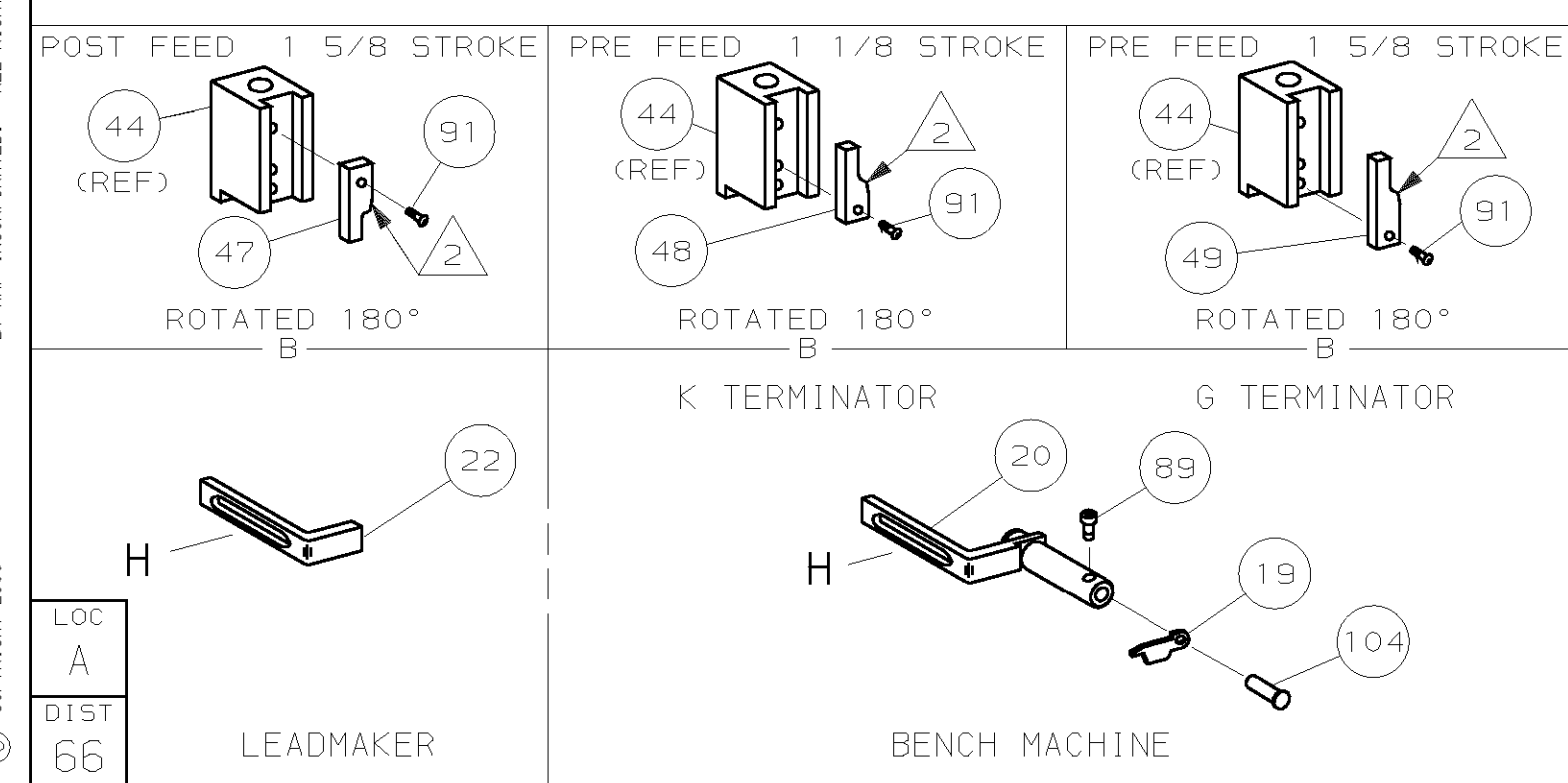


PART NUMBER	REV	FIRST USED
1385195-1	A	122500-1
1385195-2	A	565435-5
1385195-3	A	354500-1



WIRE STRIP LENGTH		TERM APPL SPEC	FEED	APPL INSTRUCTION	SET UP GAGE	LAYOUT
.156-.187		114-2050	.360	408-8040	458637-1	L2452

QTY REOD PER ASSY		PARTS LIST		DESCRIPTION		ITEM NO
2	2	2	-	C	2-354779-8	PIN, WIRE DISC (.3130)C 129
2	2	2	-	C	2-354779-2	PIN, WIRE DISC (.3100)B 127
2	2	2	-	C	1-354779-4	PIN, WIRE DISC (.3060)A 126
1	1	1	-	A	986950-1	WASHER, FLAT PRECISION 125
1	1	1	-	A	217238-1	GENERAL INSTRUCTION PACKAGE 124
1	1	1	-	-	4088040	SF APPL INST 408-8040 123
1	1	1	-	A	4-21028-0	PIN,SLT SPR(ø.093x.75)ST GDE PL 122
REF	REF	REF	-	A	1-21030-1	PIN,DOWEL(ø.187x.50)LEVER 120
REF	REF	REF	-	A	1-21030-6	PIN,DOWEL(ø.187x1.25)HOUSING 119
REF	REF	REF	-	A	21045-3	RING,RET "C"(ø.187)FD FING PIN 118
1	1	1	-	A	21024-5	WASHER, LOCK(#10)ADJ BLOCK 117
REF	REF	REF	-	A	21024-5	WASHER,LOCK(#10)ADJ PLATE 116
REF	REF	REF	-	A	21024-5	WASHER,LOCK(#10)FEED GDE ROD 115
2	2	2	-	A	21024-2	WASHER,LOCK(#4)FRONT STP GUIDE 114
REF	REF	REF	-	A	5-21028-1	PIN,SLT SPR(ø.125x.50)ADJ ROD 113
4	4	4	-	A	21024-4	WASHER,LOCK(#8)STRIPPER 112
REF	REF	REF	-	A	21899-4	WASHER,FLAT(ø5/16)SCREW ADJ 110
1	1	1	-	A	21018-5	NUT,HEX(NO.6)HOLDDOWN 108
REF	REF	REF	-	A	21068-5	NUT,HEX(6-32)FEED ADJ 107
1	1	1	-	A	992031-1	PIN, CLEVIS 105
1	1	1	-	A	21009-2	SCR,5KT SET(1/4-20x.25 LW)RAM 103
2	2	2	-	A	21017-2	SCR,DRIVE(#2x.19)ID PLATE 102
REF	REF	REF	-	A	6-23715-5	SCR,PAN HD(6-32x1.50)FEED ADJ 101
1	1	1	-	B	461264-1	PLATE, IDENTIFICATION 100
2	2	2	-	A	3-21002-0	SCR,BHC(10-32x.88)DRAG 99
1	1	1	-	A	22733-8	SCR,BHC(8-32x.38 LW)ANVIL 98
REF	REF	REF	-	A	2-21002-9	SCR,BHC(10-32x.75)CAP 97
REF	REF	REF	-	A	2-22733-8	SCR,BHC(1/4-20x.62)HOUSING 96
REF	REF	REF	-	A	2-21002-7	SCR,BHC(10-32x.50)5G ADJ BLOCK 95
6	6	6	-	A	2-21002-2	SCR,BHC(8-32x.50)TERM H DWN 94
1	1	1	-	A	1-21002-7	SCR,BHC(6-32x.38)CAM 91
1	1	1	-	A	7-21000-9	SCR,SHC(4-40x.19)STRIPPER 90
2	2	2	-	A	2-21000-7	SCR,SHC(8-32x.48)DEP-HOLD 87
1	1	1	-	A	2-22603-0	SCR,HEX HD(8-32x.31)FEED FINGER 86
2	2	2	-	A	1-21000-3	SCR,SHC(4-40x.25)F ST GUIDE 85
1	1	1	-	A	2-21000-7	SCR,SHC(8-32x.50)STRIPPER 84
REF	REF	REF	-	A	3-21000-7	SCR,SHC(10-32x.75)FEED ROD 6D 83
REF	REF	REF	-	A	3-21000-6	SCR,SHC(10-32x.62)FD ADJ BLK 82
1	1	1	-	A	3-21000-4	SCR,SHC(10-32x.38)5G ADJ BL 81
REF	REF	REF	-	A	3-21000-4	SCR,SHC(10-32x.38)PIVOT BLK 80
-	REF	-	-	B	455749-1	GUARD, WINDOW 79
REF	-	-	-	B	679532-1	INSERT, GUARD 78
1	1	1	-	A	690603-1	SPRING, ASSIST 74
1	1	1	-	A	23030-1	SCR,SHC(6-32x.25 SL)INS DISC 73
REF	REF	REF	-	A	458109-1	WASHER, SPECIAL 72
REF	REF	REF	-	A	690517-1	SPACER 71



- 1 RECOMMENDED SPARE PARTS.
- 2 GREASE LIGHTLY.
- 3 GUARD MUST BE IN PLACE WHEN OPERATING APPLICATOR IN A BENCH MACHINE.
- 4 LUBRICATE DAILY USING NO. 20 MACHINE OIL.
- 5. ITEMS WITH QTY OF REF SPECIFIED (EXCEPT ITEMS 78 AND 79) ARE USED ON ITEM 46.
- 6 CUT TO LENGTH AT ASSY

QTY REOD PER ASSY		PARTS LIST		DESCRIPTION		ITEM NO
-1	-2	-1	U/M	Dwg SIZE	PART NO	DESCRIPTION
1	1	1	-	A	690542-2	PAWL, FEED 56
REF	REF	REF	-	B	240624-1	PIN, FEED FINGER 55
REF	REF	REF	-	B	691499-1	SPRING, FEED FINGER 54
REF	REF	REF	-	B	690541-1	HOLDER, FEED FINGER 53
REF	REF	REF	-	A	455679-1	LEVER, TERMINAL FEED ARM 52
1	1	1	-	A	811242-2	BUMPER, HOLDDOWN 51
1	1	1	-	A	690753-1	SPACER, TONKER 50
1	-	-	-	B	690602-6	CAM, PRE-FEED 1 5/8 ST 49
-	1	-	-	B	690602-5	CAM, PRE-FEED 1 1/8 ST 48
-	-	1	-	B	690501-4	CAM, POST-FEED 1 5/8 ST 47
1	1	1	-	B	459456-1	APPLICATOR, BASIC (SUBASSY) 46
1	1	1	-	A	690191-1	PLUG, NYLON 45
1	1	1	-	C	455673-1	RAM 44
1	1	1	-	A	690125-1	WASHER, LAMINATED 43
1	1	1	-	A	690124-1	WASHER, RAM 42
1	1	1	-	A	7-21002-9	BOLT, CRIMPER(5/16x1.00) 41
1	1	1	-	A	23241-6	BALL, STEEL 40
1	1	1	-	A	690170-1	SPRING, COMPRESSION 39
1	1	1	-	C	690142-1	DISC, INSULATION 38
1	1	1	-	D	354777-1	WIRE DISC, PLASTIC 37
1	1	1	-	A	22480-5	WASHER, SPRING 36
1	1	1	-	B	690212-1	POST, RAM 35
1	1	1	-	B	690786-1	SUPPORT, TERMINAL 34
REF	REF	REF	-	D	455675-1	PLATE, BASE 33
1	1	1	-	A	690432-3	SCREW, ADJUSTMENT 32
REF	REF	REF	-	B	455689-1	BLOCK, STRIP GUIDE ADJ 30
1	1	1	-	C	455671-1	PLATE, STRIP GUIDE 29
1	1	1	-	C	2-455888-2	SPACER, FRONT SHEAR DEP 28
2	2	2	-	A	1-22284-0	SPRING, DRAG 27
1	1	1	-	B	690546-1	LEVER, DRAG RELEASE 26
1	1	1	-	B	240792-1	DRAG, TERMINAL 25
1	1	1	-	D	9-690504-2	GUIDE, STRIP (REAR) 24
1	1	1	-	A	690438-1	GUIDE, STRIP (FRONT) 23
-	-	1	-	B	690472-2	STRIPPER 22
REF	REF	REF	-	A	4-22284-9	SPRING, FEED RETURN 21
1	1	1	-	A	679218-1	STRIPPER WIRE STOP ASSY 20
1	1	1	-	B	458949-1	STRIPPER 19
1	1	1	-	B	318563-1	GUARD, CHIP, FRONT 16
1	1	1	-	A	5-22280-0	SPRING, SHEAR 12
1	1	1	-	B	690461-1	STOP, SHEAR 11
1	1	1	-	C	690459-1	HOLDER, SHEAR (FRONT) 10
1	1	1	-	C	454276-1	SHEAR, FLOAT (FRONT) 9
1	1	1	-	C	4-662520-0	ANVIL 8
1	1	1	-	C	1-455889-4	DEPRESSOR, SHEAR (FRONT) 5
1	1	1	-	B	2-238011-2	SPACER, BLOCK CRIMPER 4
1	1	1	-	C	8-456134-2	CRIMPER, INSULATION 3
1	1	1	-	C	455888-6	SPACER, CRIMPER 2
1	1	1	-	C	3-456406-3	CRIMPER, WIRE 1

QTY REOD PER ASSY		PARTS LIST		DESCRIPTION		ITEM NO
-3	-2	-1	U/M	Dwg SIZE	PART NO	DESCRIPTION
1	1	1	-	A	690603-1	SPRING, ASSIST 74
1	1	1	-	A	23030-1	SCR,SHC(6-32x.25 SL)INS DISC 73
REF	REF	REF	-	A	458109-1	WASHER, SPECIAL 72
REF	REF	REF	-	A	690517-1	SPACER 71