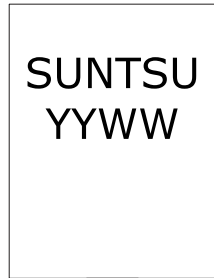


SCNRJ - 8 8 GG M S N N - 07 314 SO RTH

SUNTSU **RJ45** **CONTACTS** **MAGNETIC** **EMI Finger** **OPERATING TEMP** **CONTACT TERMINATION**
 8 : 8 M : With N : None 07 : 0~70°C SO : SOLDER
CONNECTOR **POSITIONS** **CONTACT PLATING** **SHIELD** **LED COLOR** **HEIGHT** **MOUNTING STYLE**
 8 : 8 GG : 6u" Gold Plating S : With N : None 314 : 13.84mm RTH : Right Angle Through Hole



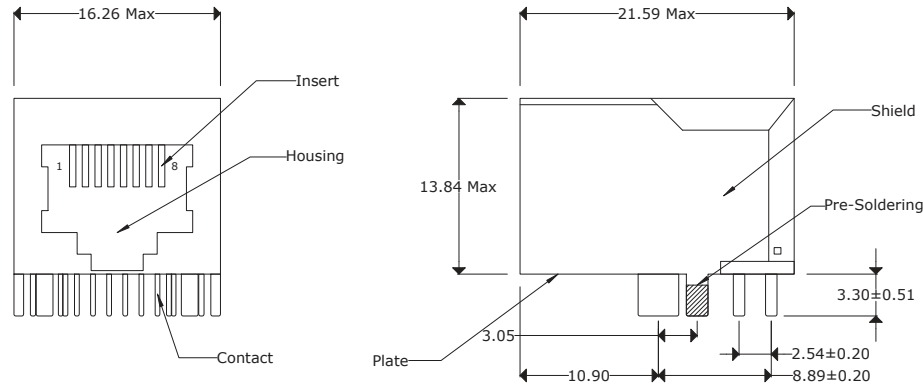
YY:Year - WW:Week

Electrical Parameters

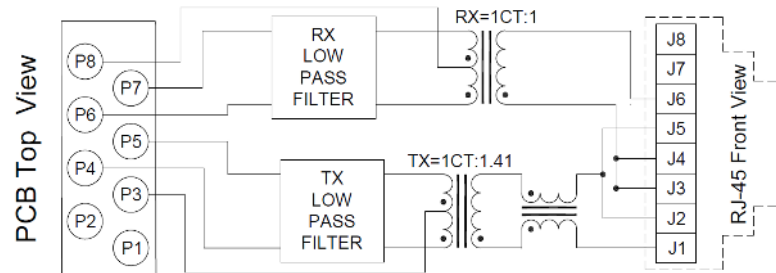
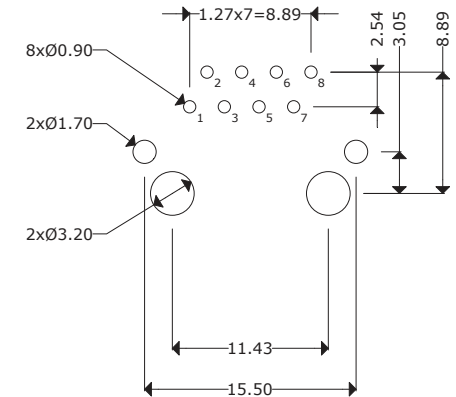
Turn Ratio(±5%): TX=1CT:1.41, RX=1CT:1
 Insertion Loss(dB MAX): -1.0dB(1-10MHz)
 Return Loss(dB MIN): -13.5dB(5-10MHz)
 Attenuation (dB MIN)TX: -7dB(20MHz), -18dB(25MHz), -28dB(30MHz), -33dB(40MHz)
 Attenuation (dB MIN)RX: -5dB(20MHz), -11dB(25MHz), -16dB(30MHz), -26dB(40MHz)
 Cross Talk(dB MIN): -30dB(1-10MHz)
 CMR(dB MIN): -30dB(30MHz)
 HI-POT(Pri to Sec): 1500Vrms/0.5mA/2sec

Materials

Housing: Nylon 66 UL94V-0 Standard color Black
 Insert: Phos-Bronze C5210 EH---0.35 Thickness
 Insert: PBT GF UL94V-0
 Insert Plating: (1) Nickel (2) 100% Sn (3) Gold (6u")
 Plate: PBT GF UL 94V-0
 Contact Pin: Phos-Bronze C5191---0.35 Thickness
 Contact Plating: (1) Nickel (2) 100% Sn
 Shielding: Brass C2680 Plating Nickel



PC Board Layout



Remarks:
 Operating Life: 750 Cycles MIN.



10/100 BASE-T SINGLE PORT RJ45 JACK MAGNETICS

Document History			
Edits Made	Date	Edited By	Approved By
Initial Release	10/06/2021	B. Gibbons	KH Mun

Part No.	SCNRJ-88GGMSNN-07314SORTH	Drawn	B. Gibbons
Scale	Not drawn to scale	Tolerance	Unless otherwise specified, all tolerances are ±0.25
Unit	mm	Pages	1/1