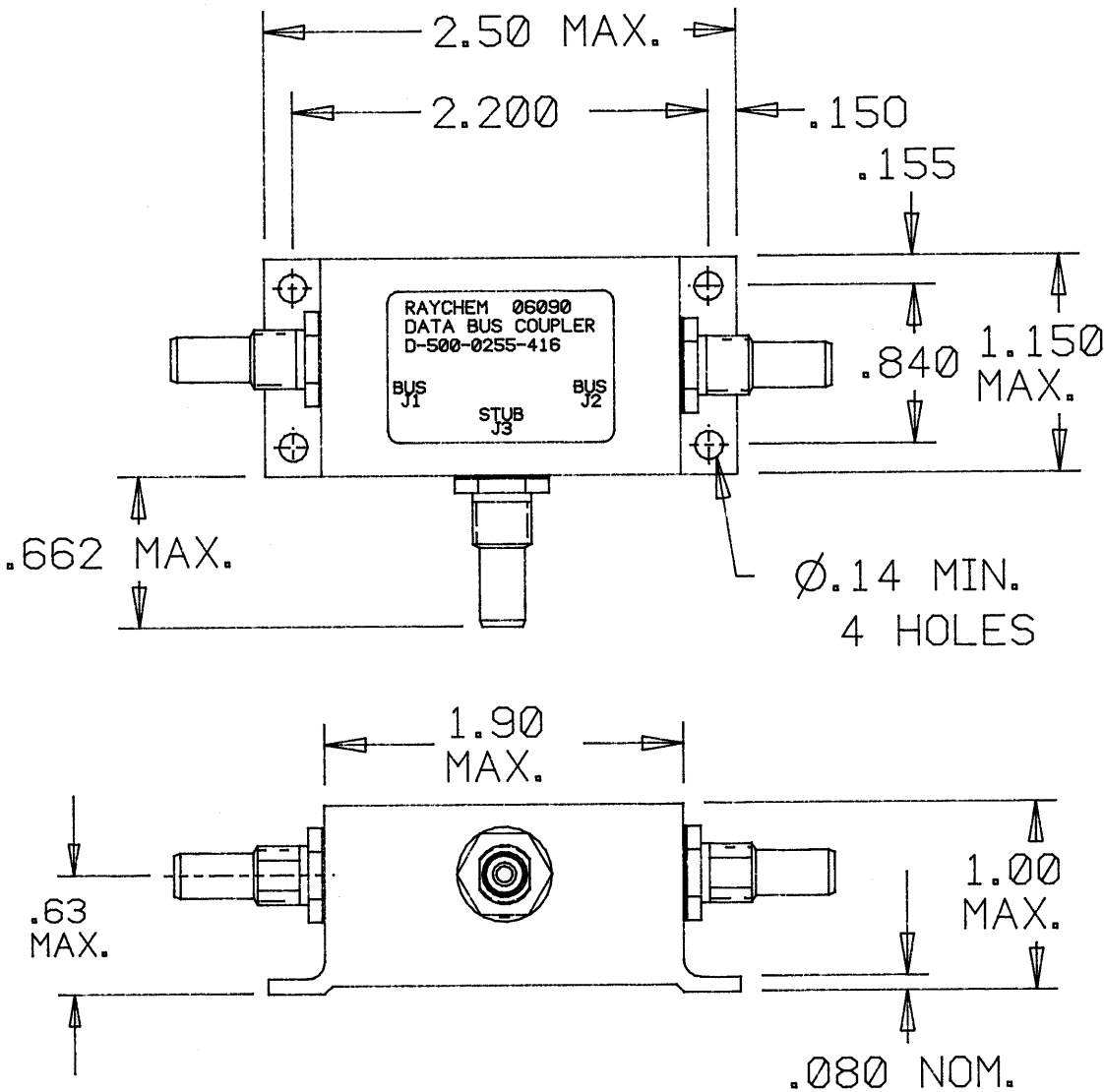


REVISIONS			
LTR	DESCRIPTION	DATE	APPROVED
N/C	RELEASED PER E.C.N. T-7715	2/12/87	<i>[Signature]</i>



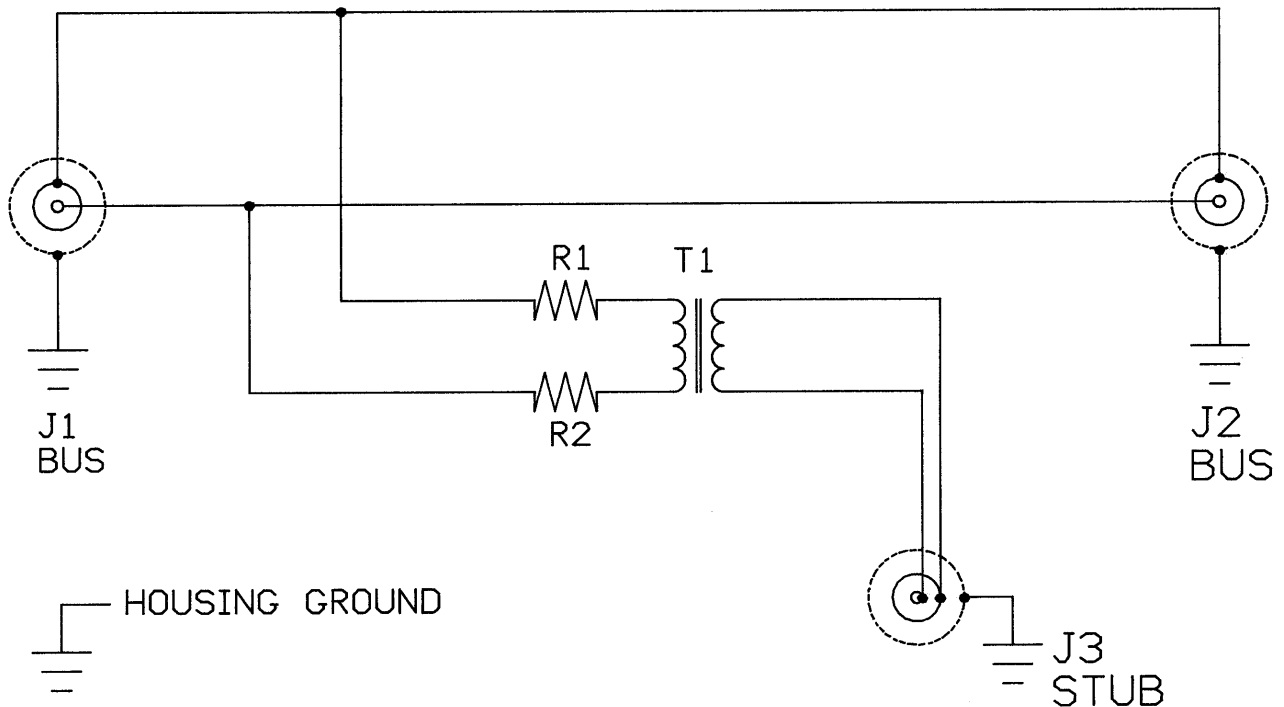
If this document is printed it becomes uncontrolled.
Check with the web for latest revision.

SPECIFICATION CONTROL DRAWING

UNLESS OTHERWISE SPECIFIED DIMENSIONS ARE IN INCHES. METRIC DIMENSIONS ARE IN BRACKETS. DECIMALS .XXX ± .010 { mm } .XX ± .03 { mm } ANGLES .X ± WEIGHT TBD lbs { g }	DRAWN	terry	1-22-87	Raychem RAYCHEM CORPORATION 300 CONSTITUTION DRIVE MENLO PARK, CALIFORNIA 94025			
	CHECKED						
	APPROVED	<i>[Signature]</i>	2/12/87	TITLE	DATA BUS COUPLER WITH THREADED CONNECTORS		
	APPROVED			SIZE	CODE IDENT. NO.	DWG. NO.	REV
	CAD NAME	TAJ E:\SCD\824923S1		A	06090	D-500-0255-416	N/C
	THIRD ANGLE PROJECTION			SHEET 1 OF 2			

- 1.0 INTERMATEABILITY
- 1.1 J1 AND J2 (WITH D-602-0126 CONTACT INSTALLED) WILL MATE WITH DK-621-0411 PLUG (WITH D-602-0127 CONTACT INSTALLED).
- 1.2 J3 (WITH D-602-0127 CONTACT INSTALLED) WILL MATE WITH DK-621-0411 PLUG (WITH D-602-0126 CONTACT INSTALLED).
- 2.0 PERFORMANCE
- 2.1 THIS COUPLER IS DESIGNED TO MEET THE APPLICABLE FUNCTIONAL REQUIREMENTS OF RAYCHEM SPECIFICATION D-6020. QUALIFICATION PENDING.
- 2.2 OPERATING TEMPERATURE: -55° TO +110° C.
- 2.3 SALT SPRAY CORROSION RESISTANCE: PER MIL-STD-1344 , METHOD 1001.1 CONDITION C.
- 2.4 ALTITUDE: SEA LEVEL TO 50,000 FEET.

SCHEMATIC DIAGRAM



If this document is printed it becomes uncontrolled.
Check with the web for latest revision.

CAD NAME TAJ E:\SCD\824923S2

DRAWN	terry	1-22-87	SIZE	CODE IDENT. NO.	DWG. NO.	REV
ISSUED			A	06090	D-500-0255-416	N/C
DO NOT SCALE THIS DRAWING					SHEET 2 OF 2	